

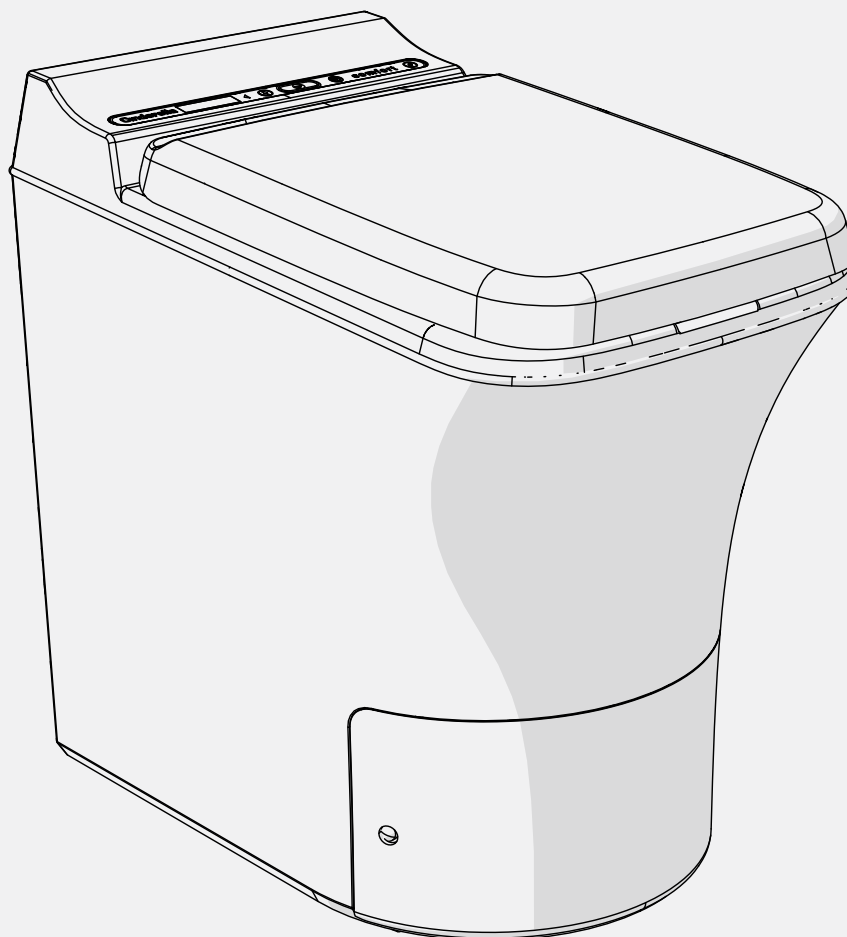


Cinderella[®]
Incineration Toilets

CINDERELLA COMFORT

Product manual

 Made in Norway



CONTENTS

1. GENERAL SECTION	3
1.1 INTRODUCTION	3
1.2 APPLICATION ACCORDING TO REGULATIONS	3
1.3 OPERATING INSTRUCTIONS GUIDE	3
1.4 LIMITATION OF LIABILITY	3
1.5 LISTINGS AND CERTIFICATIONS	3
1.6 ENVIRONMENTAL REQUIREMENTS	3
1.7 DISPOSAL INFORMATION	3
1.8 GENERAL SAFETY INSTRUCTIONS	4
1.9 APPLIANCE RATING PLATE	5
2. INSTALLATION SECTION	6
2.1 UNPACKING THE TOILET AND ACCESSORIES	6
2.2 MEASUREMENT SPECIFICATIONS	6
2.3 ORIGINAL INSTALLATION PACKAGES FOR YOUR CINDERELLA TOILET	7
2.4 INSTALLATION SPECIFICATION	8
2.4.1 SPECIFICATIONS PARTS AND MATERIALS	8
2.4.2 INSTALLING THE CINDERELLA INCINERATING TOILET	8
2.4.3 INSTALLING THE OUTLET PIPES	9
2.4.4 INSTALLING THE HORIZONTAL INLET PIPE	10
2.4.5 INSTALLING THE ORIGINAL CINDERELLA FLUE TERMINAL CAP	11
2.5 ELECTRICAL SPECIFICATIONS AND REQUIREMENTS	11
2.6 CHECKLIST TO VERIFY THE COMPLETE INSTALLATION	12
2.7 PERFORMANCE TEST TO VERIFY THE SYSTEM FUNCTIONALITY	13
3. USER SECTION	13
3.1 INTENDED USE AND HANDLING	13
3.2 GENERAL SAFETY	14
3.3 SAFE OPERATIONS	14
3.4 CINDERELLA COMFORT SAFETY FEATURES	14
3.5 IMPORTANT USER INFORMATION	15
3.6 THE CONTROL PANEL	16
3.7 USING THE CINDERELLA COMFORT TOILET	17
3.8 OPERATING THE FRONT COVER AND ASH CONTAINER	18
3.9 APPLIANCE ORIENTATION	18
4. GENERAL MAINTENANCE INSTRUCTIONS	19
4.1 END PRODUCT CHARACTERISTICS	19
4.2 MAINTENANCE	20
4.2.1 EMPTYING AND CLEANING THE ASH CONTAINER	20
4.2.2 STEAM-CLEANING THE CATALYTIC CONVERTER	20
4.2.3 CLEANING THE BOWL	21
4.2.4 INSPECTING THE CATALYTIC CONVERTER	22
4.2.5 CLEANING THE APPLIANCE FLUE TERMINAL	22
4.2.6 RINSING THE CATALYTIC CONVERTER WITH HOT WATER	23
5.0 TROUBLESHOOTING AND FAQ	23
5.1 TROUBLESHOOTING TABLE	25
6. REPAIRS AND SPARE PARTS	26
6.1 SPARE PARTS LIST	26
6.2 APPLIANCE PROCESS OVERVIEW	27
6.3 TECHNICAL ORIENTATION	27
6.4 WIRE DIAGRAM	28
7. WARRANTY	29

1. GENERAL SECTION

1.1 INTRODUCTION

It is essential to ensure proper ventilation in accordance with the guidelines in this manual to guarantee the functionality of your new Cinderella toilet. Improper installation may cause malfunction, wear and/or odours and will void the warranty. When installing the appliance, the technical and administrative regulations in which the country it is installed must be adhered to.

1.2 APPLICATION ACCORDING TO REGULATIONS

This appliance is designed to incinerate bodily waste products and small sanitary products such as toilet paper and non-alcoholic baby or face wipes.

This appliance must not be installed in a mobile or portable installation such as a mobile home, recreational vehicle or caravan

1.3 OPERATING INSTRUCTIONS GUIDE

Please read this instruction manual carefully before installation and first use. Store these instructions in a safe place so you can refer to them when required. If you pass on the product to someone else, hand over this instruction manual along with it.

These instructions provide you with the necessary guidance for proper installation, handling and maintenance of the product. It is important that both the installer and the user familiarize themselves with the instructions given in this manual. The manual also contains information on professional maintenance and any necessary information for service and repairs.

A digital version of this document and further information can be found at www.cinderellaeco.com

1.4 LIMITATION OF LIABILITY

All information and guidance in these operating instructions have been prepared after taking into consideration the applicable standards and regulations as well as the current technology. Cinderella Eco Group AS reserves the right to make changes at any time which are deemed to be in the interest of improving the product and safety. The manufacturer accepts no liability for damage in the following cases:

- Faulty installation or connection
- Damage to the product resulting from mechanical factors and/or incorrect connection voltage
- Modifications to and interference with the appliance
- Use for purposes other than those described in the operating manual
- Non-observation of the operating and maintenance instructions
- Application not in accordance with local regulations or provisions
- Use of non-original bowl liners and spare parts

1.5 LISTINGS AND CERTIFICATIONS

The Cinderella Comfort has been extensively tested by NEMKO in accordance with the European standard for electrical safety and electromagnetic compatibility.

1.6 ENVIRONMENTAL LIMITATIONS

- Ambient temperature range: -20–40°C
- Operating altitude: Tested to 2,500 m

1.7 DISPOSAL INFORMATION

This product must not be disposed as household waste. Deliver the appliance to a waste disposal centre that can handle electrical appliances.



CAUTION!

When the Cinderella toilet is installed, minimum clearance to combustible construction must be: 50mm from sides, 50mm from rear

1.8 GENERAL SAFETY INSTRUCTIONS



DANGER!

Safety instruction: Failure to observe this instruction could cause fatal or serious injury.



WARNING!

Safety instruction: Failure to observe this instruction could lead to injury.



CAUTION!

Failure to observe this instruction could cause material damage and impair the function of the product.



NOTE!

Supplementary information for operating the product.



DANGER!

- Do not spray aerosols in the vicinity of this appliance while it is in operation.
- Do not use or store flammable materials in or near this appliance.
- Do not place articles on or against this appliance.
- Do not modify this appliance.



DANGER!

- Do not operate the incinerating toilet if it is visibly damaged.
- If the power cable for this toilet is damaged, it must be replaced by the manufacturer, customer service or a similarly qualified person in order to prevent safety hazards.
- This toilet may only be repaired by qualified personnel. Inadequate repairs may cause serious hazards.
- Only operate the toilet with the voltage shown on the type plate on the back of the toilet.



WARNING!

- Danger of crushing! Do not place your hand on the hinge or underneath the toilet seat while open, as there is no soft-close function on the lid and seat.
- Do not empty the ash container when hot.
- Before activating, ensure that the power supply line and plug are dry.
- Do not operate this unit until you have read thoroughly and understand completely all instructions and safety rules contained in this manual. Save this manual and review frequently for continuing safe operation and instructing possible third-party users.








CAUTION!

- During transport, only hold the toilet by the toilet shell. Never hold the toilet by the power cord, front cover, lid or seat or exhaust outlet.
- Danger of overheating! Always ensure sufficient ventilation so that the heat and emissions generated during incineration can dissipate from the flue pipe. Ensure proper air flow for the system. Always ensure sufficient ventilation into the toilet.
- Make sure that the toilet is sufficiently far away from walls or other objects so that air can circulate.

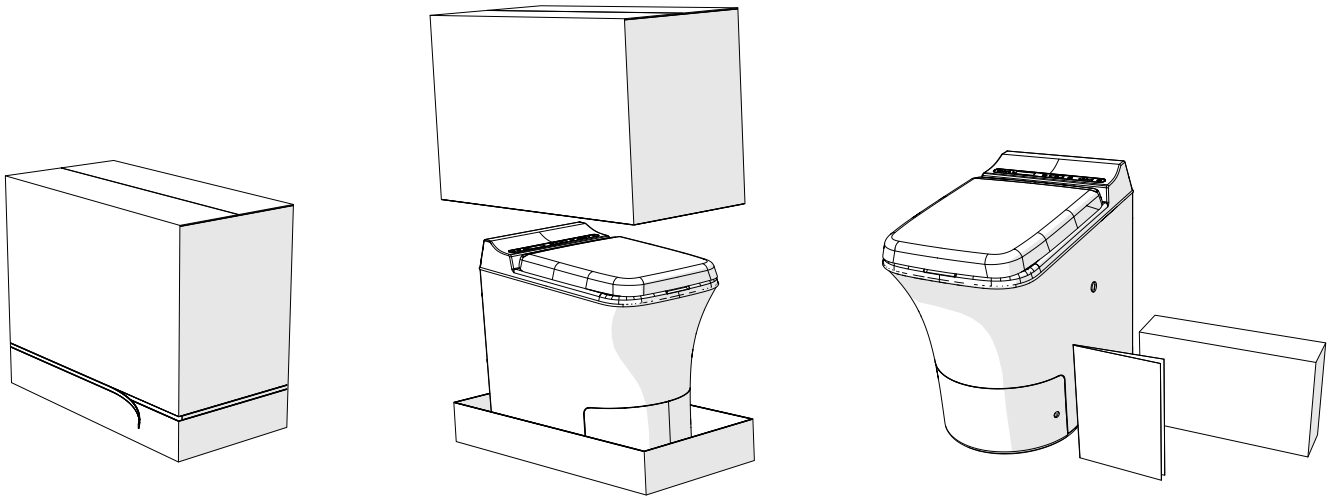
1.9 APPLIANCE RATING PLATE

The appliance rating plate can be found on the back plate of the incineration toilet. From this plate you can read the model identification, serial number, toilet ratings and support detail. You will need these details whenever you contact the customer service centre or when ordering spare parts.

MANUFACTURER	Appliance Specifications	   
 Cinderella <small>Incineration Toilets</small>	VOLTAGE 220-240 V AC 50-60Hz CURRENT 9 A HEATING ELEMENT : 2000W EL MOTOR : 12 V DC BATTERY : 12 V DC 2,6 Ah FAN BLOWER 12 V DC PROTECTION CLASS IP 34 CAPACITY 4 VISITS PR. HOUR CIRCUIT BOARD E5 YEAR OF MANUFACTURING 2023 DESIGNED FOR STATIONARY STRUCTURES	
CINDERELLA ECO GROUP AS Sjøvikvegen 67, 6475 Midsund, NORWAY		
For sales and support call +47 77711500 or visit our web www.cinderellaeco.com		
CINDERELLA COMFORT MODEL: EM01CS02 - EU SERIAL:		

2. INSTALLATION SECTION

2.1 UNPACKING YOUR CINDERELLA INCINERATING TOILET



NOTE!

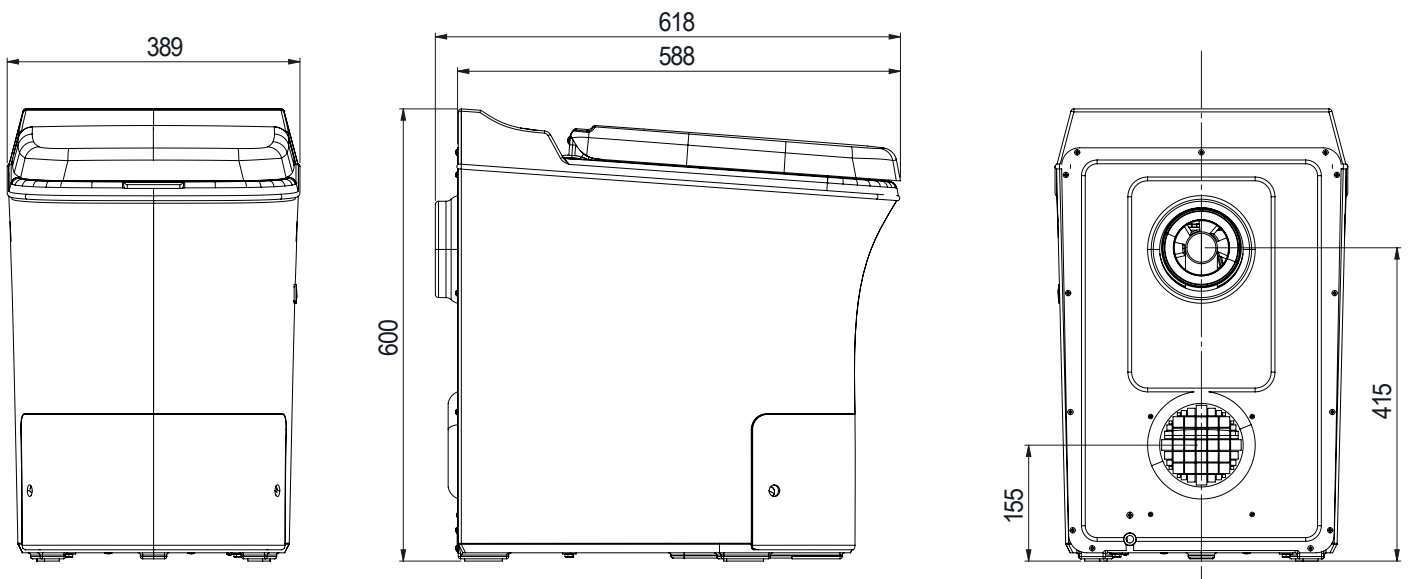
When unpacking the Cinderella toilet, use the pre-fixed strip on the bottom of the box. Release the strip all around the box and lift up the box.

INCLUDED ITEMS	QTY
Cinderella Comfort	1
Bowl liners	100
Product manual	1

2.2 MEASUREMENT SPECIFICATIONS

Height	600 mm
Seated height	540 mm
Width	390 mm
Depth	590 mm

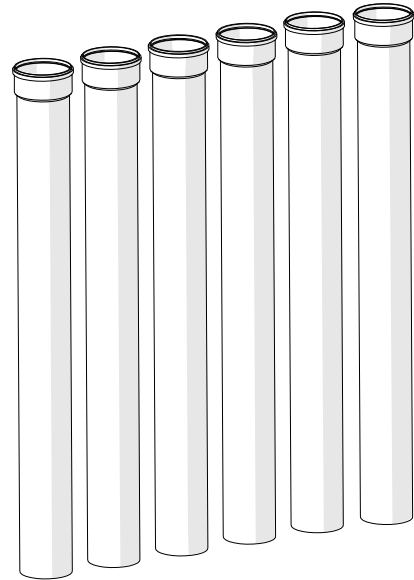
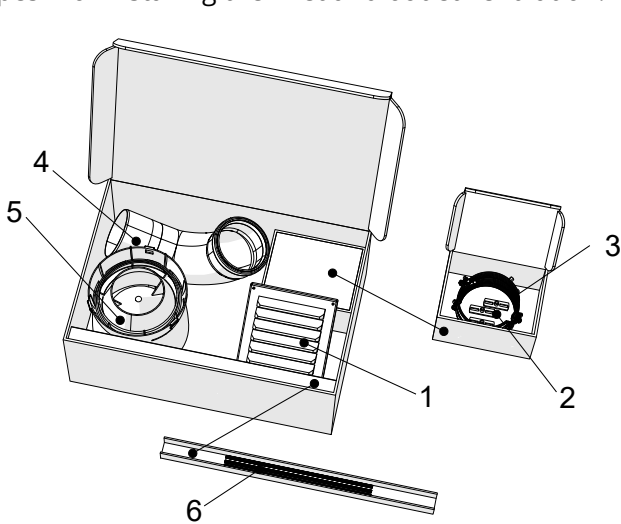
Ventilation pipe outer dim.	110 mm
Height center outlet	415 mm
Height center inlet	155 mm
Weight	34 kg



2.3 ORIGINAL INSTALLATION PACKAGES FOR YOUR CINDERELLA TOILET

Cinderella Original Insulation Kit Arctic: Cinderella has invented a specially designed insulation kit that gives you an added advantage when installed in cold environments. This kit is specially designed for the Cinderella Incineration Toilet and adds a layer of insulation inside the toilet shell which restricts the accumulation of water and ice on your appliance. This eliminates wear on your product and its interior. Ask your dealer or visit our homepage www.cinderellaeco.com for further information.

Cinderella Original Installation Kit: We strongly recommend the use of the “Cinderella Original Installation Kit” when installing you appliance. This complete set includes necessary parts for an ideal installation, optimizing the incinerating process and functionality of your toilet. Box no. 1 includes an optimized flue cowl and elbow, for increasing the system flow rate and incineration efficiency. It contains a storm collar for the inlet air, as well as rods and clamps to support the installation of the pipes. Box no. 2 includes 6 x 110mm UV stabilized PP quality pipes - for installing the inlet and outlet ventilation.



CINDERELLA ORIGINAL INSTALLATION KIT, BOX 1		QTY
1	Inlet air cover	1
2	Wall mount rod	3
3	Support clamp	3
4	Elbow, 87° w/drain	1
5	Flue Terminal Cap	1
6	Threaded rod	3

CINDERELLA ORIGINAL INSTALLATION KIT, BOX 2		QTY
1	Male-Female 1015 mm flue pipe	6



NOTE!

- This manual will further explain and demonstrate how to optimally install your toilet, based on the parts included in the Original Cinderella Installation Kit. Should you desire to install your Cinderella appliance with other than our original pipes and parts, be sure that they comply with the specifications described under section 2.4.1 “parts and material specifications”.
- In order to guarantee your Cinderella Incineration Toilet functions properly, It is essential to ensure proper ventilation in accordance with the guidelines in this manual. Installations deviating from the manufacture specifications or the use of non-authorized parts in the installation of the appliance will cause malfunction, wear or odors and will void the warranty.

2.4 INSTALLATION SPECIFICATIONS

2.4.1 SPECIFICATIONS PARTS AND MATERIALS

ITEM	SPECIFICATIONS
Ventilation pipes	Cinderella Comfort is required to be installed with 110 mm pipes with a smooth inner surface and a minimum inner diameter of 102 mm. The pipe material must be specified for temperatures over 100° C and preferably of a PP- or CPVC- type. We strongly recommend using the Original Cinderella PP- quality pipes.
Elbow (Outlet air)	Cinderella Comfort is required to be installed with a smooth curved elbow that minimizes the restriction of the air flow. We strongly recommend using the Original Cinderella Elbow 87° w/ drain.
Flue Terminal Cap	Cinderella Comfort is required to be installed with a flue terminal cap that prevents intrusion of rainwater and that has a minimum restriction of the air flow. Wind fans or similar is not to be used when venting the Cinderella Incinerating Toilet. We strongly recommend using the Original Cinderella Flue Terminal Cap.



NOTE!

- The inside of the ventilation pipe must be smooth and not embossed or grooved.
- The elbow must be accessible when installed, so that the drainage pipe can be rinsed, and the outlet pipe cleaned.
- Cinderella Comfort is proved for use in bathrooms/wet rooms (IP 34 classified), but water must not be splashed over the external parts of the toilet.
- The toilet must be placed on a firm and level base and your Cinderella appliance may be installed on a heated floor

2.4.2 INSTALLING THE CINDERELLA INCINERATING TOILET

It is essential to ensure proper ventilation in accordance with the guidelines in this manual to guarantee the functionality of your new Cinderella toilet. Improper installation may cause malfunction, wear or odors and will void the warranty. Read each section carefully before starting the installation of the toilet. Always make sure that the work is carried out by professionals in accordance with local regulations.



CAUTION!

The Cinderella Comfort toilet must have its own outlet air pipe and it is not permitted to install Cinderella Comfort ventilation with the use of the following:

- Wind fan or similar as a replacement for the chimney cap
- Flexible ducts or pipes.
- Pipes with inner diameter less than 102 mm.
- Other 90° bends in addition to the elbow bend.
- Never use a mesh net in the ventilation pipe as this will restrict the airflow in the system.



CAUTION!

- Upon installation of the appliance, the technical and administrative regulations of the country in which the toilet is installed must be adhered to. We recommend that you contact your local dealer for planning and installing your Cinderella toilet.
- If the pipe perforates the roof surface, ensure that it is in compliance with building regulations.

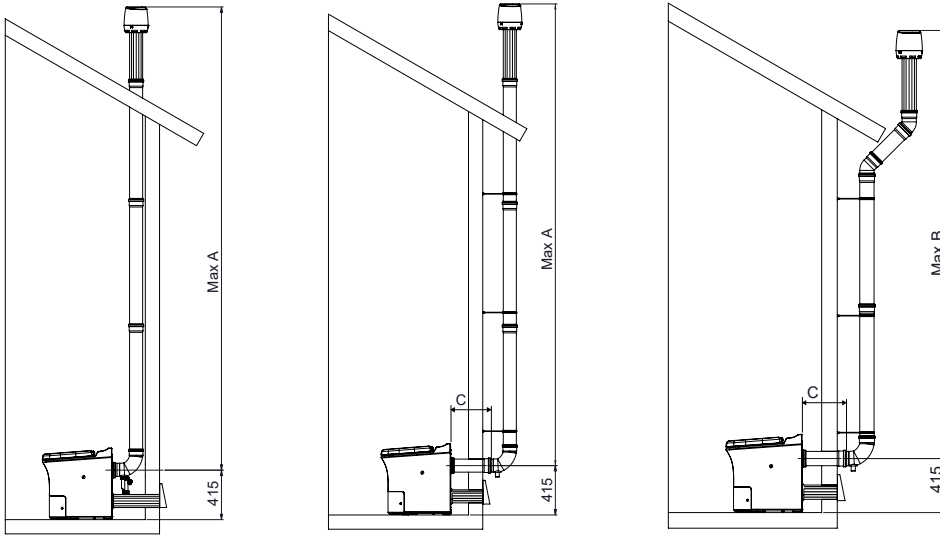


WARNING!

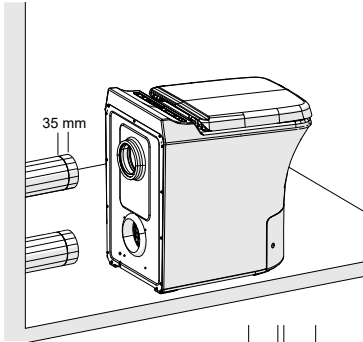
Before cutting any holes, always check that you will not cut any electrical wiring or water pipes.

2.4.3 INSTALLING THE OUTLET PIPES

DIAMETER VENT PIPE	OUTLET DIRECTION	REFERENCE	BENDS	MAXIMUM PIPE LENGTH
110 mm	Horizontal flue pipe	C	(Not allowed)	1000 mm
110 mm	Vertical flue pipe	A	None	6000 mm
110 mm	Vertical flue pipe	B	2 x 45° bends	5000 mm

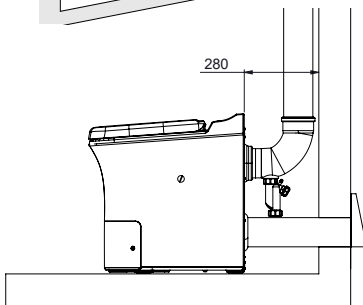


NOTE!
The center of the appliance flue terminal is 415 mm from the floor level.



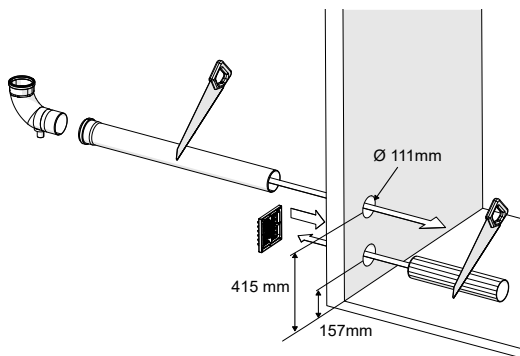
NOTE!

When adjusting the pipe length, please notice that the pipe will enter 35 mm into the appliance flue terminal, and will have to be calculated into the planning of your installation.



NOTE!

When installing the pipe vertically, straight up from the appliance, please notice that the minimum distance from the wall to the toilet must be 280mm.



NOTE!

The Original Cinderella Installation Kit includes 1015 mm pipes to be used on the outlet installation, the pipes are delivered with socket and gasket for simple installation. When installing the pipe on the outer wall, you will have to enter the pipe from the external to the inside.

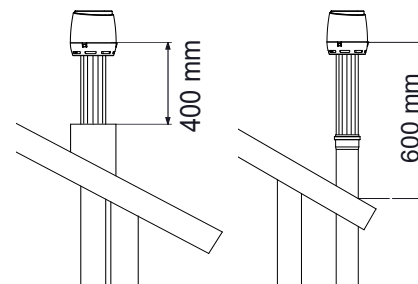


NOTE!

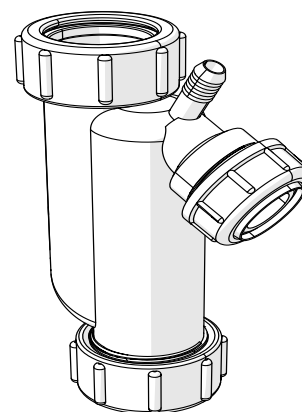
The appliance flue terminal is designed for connecting 110 mm PP quality pipes with an inner diameter of no less than 102 mm. The pipe is to enter 35 mm into the toilet flue terminal. Do not use excessive force when connecting the pipe, as this may damage the appliance.

**NOTE!**

- The pipe must always be installed vertically above the roof and extend at least 600 mm above the roof surface. If the outlet air pipe is to be enclosed (e.g. using metal siding), make sure that the end of the pipe extends at least 400 mm above the enclosure.
- If installed where snow is likely to accumulate it might be necessary to extend the pipe further, and to secure accordingly.

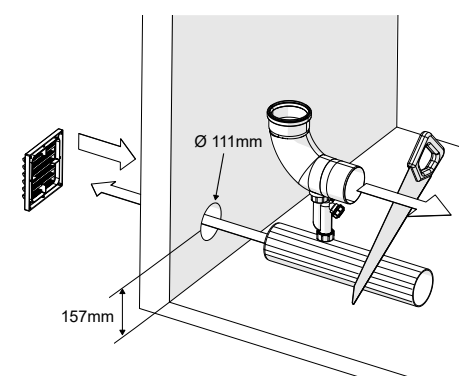
**NOTE!**

Cinderella supplies a specially designed “siphon” that fits onto the elbow provided in the installation kit, this item can be purchased as an accessory from any Cinderella dealer. If installation is done from the interior, you will need to connect the siphon to the elbow-piece to prevent condensation and rainwater to drain onto the floor. Failure to collect the condensation and emptying it regularly, may result in damage to the floor.

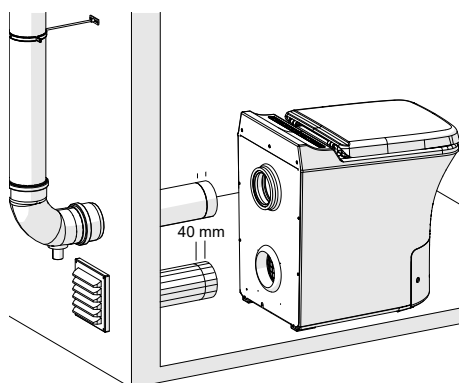
**2.4.4 INSTALLING THE HORIZONTAL INLET PIPE**

It is important to ensure that the toilet has enough access to fresh air, and we therefore always recommend installing the Cinderella Comfort with designated inlet air connection. Supplying fresh air from the outside and into the appliance is essential for cooling, circulation and the supply of oxygen to the incineration process. If the toilet has restricted access to air / oxygen, you will experience poor incineration, reduced efficiency and possibly overheating of the appliance. Poor incineration over time will wear on the product and void your warranty.

OUTER DIAMETER INLET PIPE	HEIGHT MIDPOINT INLET PIPE	INLET DIRECTION	MAXIMUM PIPE LENGTH
110mm	155 mm	Horizontal	1000 mm

**NOTE!**

The center height for the inlet air terminal is 155 mm from the floor level.

**NOTE!**

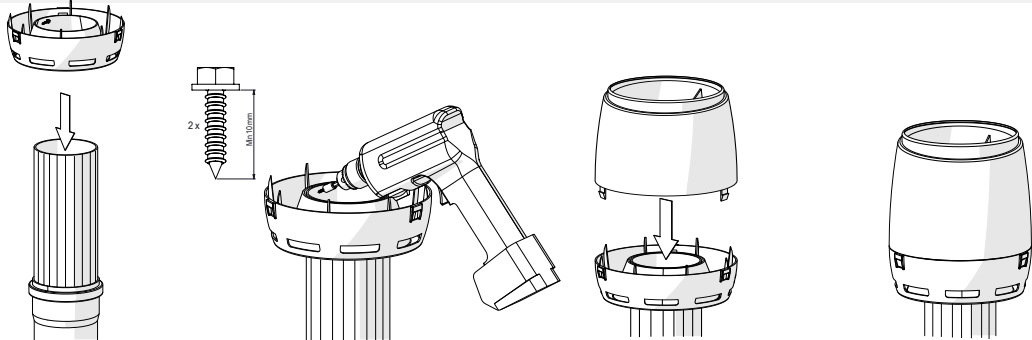
Cut one of the pipes to the desired length for the inlet air. Make sure to use the socket-less part of the pipe. Please notice that the pipe will enter 40 mm into the inlet terminal on the appliance.

2.4.5 INSTALLING THE ORIGINAL CINDERELLA FLUE TERMINAL CAP



NOTE!

The Cinderella Original installation Kit includes a flue terminal cap that is designed for optimal flow and increased product efficiency. This cap consists of two parts, where the base section can be fixed to the pipes with stainless screws or glue, this for easy connection and removal for maintenance of the ventilation pipes. Use the socket-less part of the cut pipe from when installing the horizontal flue pipe in the Cinderella installation kit as the last section of the ventilation pipe, this will be utilized as the connection to the flue terminal cap.



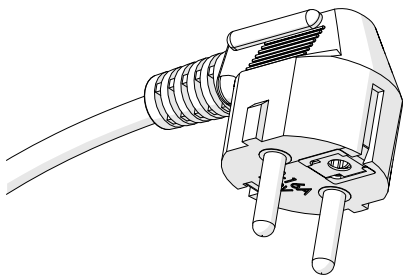
2.5 ELECTRICAL SPECIFICATIONS AND REQUIREMENTS



WARNING!

- This appliance must be installed in accordance with National Electrical Codes, as well as all state, municipal and local codes.
- The correct voltage, frequency and amperage must be supplied to the appliance from a dedicated, grounded circuit which is protected by a properly sized circuit breaker.
- The proper voltage, frequency and amperage are listed in this manual and on the product rating plate on the back of the toilet.

Power requirements	INPUT	CURRENT	FUSE
	220V-240V AC	9 A	10 A
Power consumption	STANDBY MODE		INCINERATING MODE
	0.5 W		2000 W
Connection polarity	CABLE CROSS SECTION	CABLE LENGTH	PLUG TYPE
	1,5 mm ²	2,3 m	Type F Schuko CEE 7



NOTE!

The toilet is delivered with a 16 Amp, 250Volt, 2 Pole 3Wire Grounding Type F schuko CEE 7/7 plug. To supply sufficient power to the unit as delivered, it will require a dedicated grounded circuit, with at least 10 amps of available power at 230 V AC.



DANGER!

- The connection cable must be laid in such a way that it does not come into contact with sharp edges.
- Changes to the internal electrical installation or the connection cable must be performed by a professional tradesman or a similarly qualified person in order to prevent safety hazards.
- Power converters are not recommended for use with your Cinderella product. Cinderella comfort has a maximum power consumption level of 2000W, which may be sustained over periods exceeding an hour at a time. Power converters with a "peak consumption" level of 2000W may be unable to maintain this power output and become overloaded, damaged or unsafe if used with your Cinderella Comfort.

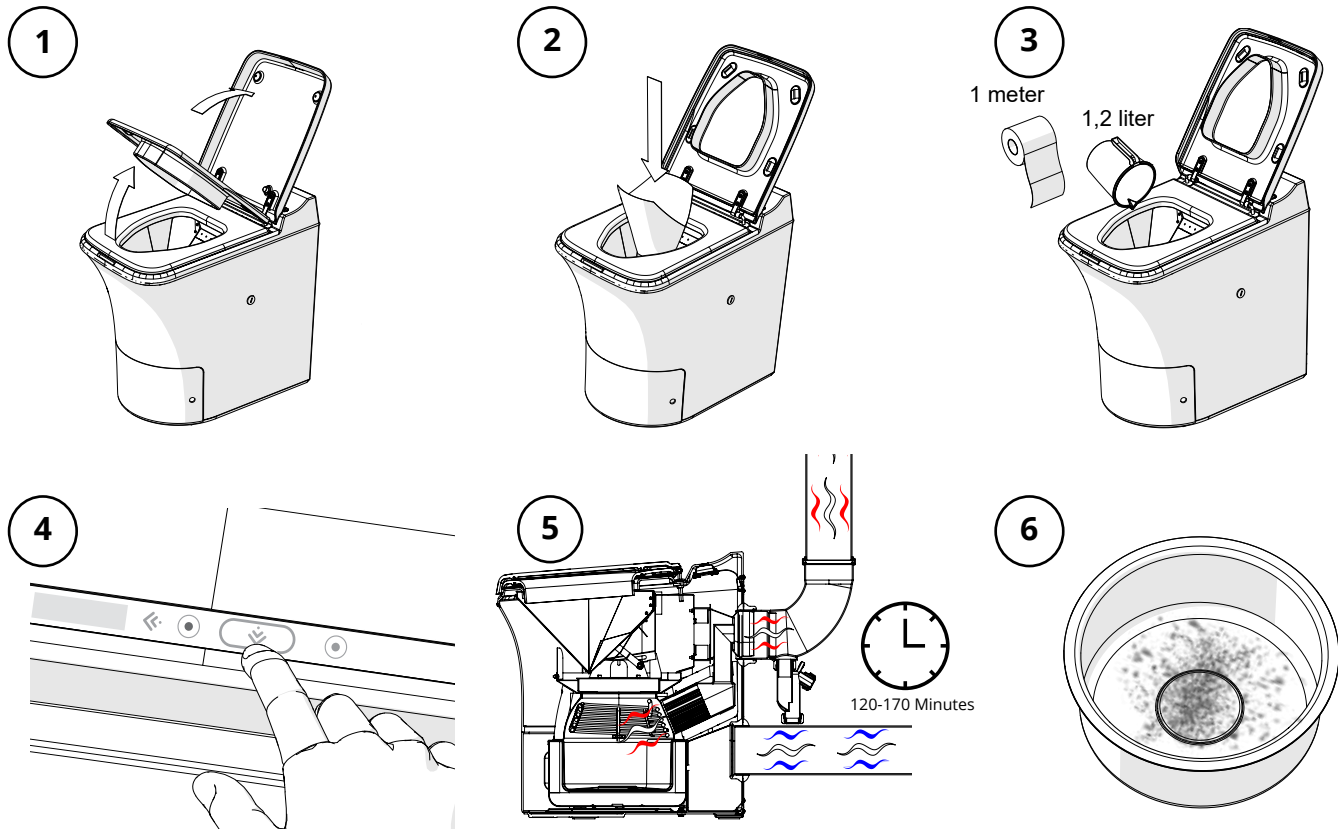
2.6 CHECKLIST TO VERIFY COMPLETE INSTALLATION

CONTROL ITEMS	CONFORMANCE
The connected voltage is in accordance with the appliance rating plate	
The flue pipe length is installed according to manufacturer specifications	
The flue termination is no less than 600 mm from the roof surface	
Safe draining "siphon" is installed where condensation is likely to accumulate	
Flue pipe material is installed according to manufacturer specifications	
Flue cap is installed according to manufacturer specifications	

2.7 PERFORMANCE TEST TO VERIFY SYSTEM FUNCTIONALITY

When the "Start" button is pressed, the incineration cycle will be activated. The estimated time for the verification test is approximately 120 – 170 minutes. The yellow light will be lit when the incineration is ongoing, and the complete test should be completed without any fault indications or system interruptions. The toilet will have to cool down to the point that the fan has stopped before the ash container can be removed. The cooling phase can take from 60 – 90 minutes, depending on the ambient cooling temperature.

The end result should only be fine white dust. Any end results deviating from this or an incineration time exceeding 90 minutes may indicate a restriction in the flue vent or a lack of oxygen. Check that the installation is in accordance with the manufacture specifications, presented in section 2 of this manual.



WARNING!

The ash container will get very hot while incinerating. Do not remove the ash container until the toilet has cooled completely and the fan has stopped.



NOTE!

The performance test is designed to be performed when the toilet has not been used. Results may vary when performing this test on used toilets.

3. USER SECTION

3.1 INTENDED USE AND HANDLING

The Cinderella Comfort toilet is intended for indoor installation and use in leisure homes such as cabins, second homes, outhouses, site welfare units, boathouses and pool houses. The toilet is solely designed to incinerate bodily waste products and small sanitary products such as tampons, sanitary pads and non-alcoholic baby, face and cleaning wipes. Using the Cinderella Comfort to incinerate other items constitutes misuse and will void your warranty. **Do not put the following items into the toilet:**

- Excessive amounts of paper of any kind
- Chlorine based cleaning agents
- Alcoholic cleaning wipes
- Newspaper
- Paper towels
- Flammable liquids or materials
- Cigarette lighters
- Cigarettes or cigars
- Petrol
- Alcoholic drinks or liquors
- Alcohol or rubbing alcohol
- Nail polish remover
- Lighter fluid
- Lamp oil / kerosene
- Aerosol containers
- Glass or plastic bottles or containers etc.

3.2 GENERAL SAFETY



DANGER!

- Do not operate the incineration toilet if it is visibly damaged.
- If the connection cable for the toilet is damaged, it must be replaced by the manufacturer, customer service or a similarly qualified person in order to prevent safety hazards.
- This incineration toilet may only be repaired by qualified personnel. Unauthorized repairs can result in considerable danger or damage to the toilet.
- Cleaning and user maintenance may not be carried out by unsupervised children.
- Do not use any explosive substances or flammable cleaning agents when maintaining the toilet.



CAUTION!

- The toilet is solely designed to burn bodily waste products and small sanitary products such as tampons, sanitary pads and baby, face and cleaning wipes.
- Young children must be supervised when they use Cinderella incineration toilets.

3.3 SAFE OPERATIONS



WARNING!

- The ash container in the toilet will become very hot when the toilet is in use. Make sure the safety cover is in place when the toilet is in use. Do not empty the ash container until the toilet has cooled completely.
- The seat does not have a soft-close function, take care not to crush your hands or fingers when closing the seat or lid.



CAUTION!

Danger of poor incineration and overheating of the system!

- Always use a new bowl liner when using the toilet.
- Always ensure sufficient ventilation so that the heat generated during the operation can dissipate.

3.4 CINDERELLA COMFORT SAFETY FEATURES

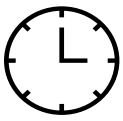
- The incineration process is inactive while the toilet lid is open. The incineration will not start until the seat and lid are closed.
- The hatch to the incineration chamber CANNOT remain open while the toilet is still hot (e.g. during cleaning). This is only possible when the toilet has cooled down and the fan has stopped.
- Should a ventilation problem arise and the internal temperature of the toilet increases to more than 105 °C, incineration will be interrupted and an error message and code is displayed. This situation requires a manual reset to ensure the ventilation issue is addressed before the toilet can be used again.
- If the ash container is improperly positioned after emptying, incineration will not start and a warning light and message will be displayed.
- If the incineration chamber hatch mechanism gets jammed or is prevented from closing properly, incineration will not start and an error message will be displayed.
- The Cinderella Incinerating toilet's smart software monitors the temperature while incineration is taking place. If any deviations from the normal temperature range are detected, this will immediately result in the incineration stopping and a error message will be displayed.

3.5 IMPORTANT USER INFORMATION



NOTE!

- Always remember to place a new liner in the toilet bowl before use, one liner per visit.
- The toilet lid must always be closed when the toilet is not in use. Incineration will not start or continue until the lid has been closed.
- The incineration cycle could take up to 180 minutes from the most recent visit.
- The fan will continue to run until incineration is completed and the internal temperature of the toilet has returned to the normal range. The cooling phase can exceed 120 minutes after incineration is completed, depending on the temperature of the air provided for cooling.
- Your Cinderella toilet may be used at any point during the incineration or cooling processes. Incineration is interrupted during use. Be sure to close the lid and press "Start" at the completion of each visit.



1 hour

Capacity 4 visits per hour

The Cinderella Comfort toilet is designed to handle up to four visits per hour. To avoid overload, more than four visits in an hour is not recommended. Overloading the toilet with many visits in a short period of time, without completing an incineration cycle, can result in odours and leakage, and may damage the toilet.



Empty

Emptying Frequency

The total liquid capacity of the system's waste container is 5 L. The ash container should be emptied frequently (once a week) for best operation. This ensures more efficient incineration and helps keep the catalytic converter cleaner.

If your ash container has not been removed (by weekly emptying routines), your Cinderella Comfort will display a message to empty the container after 90 incineration cycles, and will lock out further visits if not emptied after 120 visits. We recommend that you empty the toilet as often as possible to ensure better incineration efficiency and less wear of the product.

Failing to empty the ash container when full may cause damage to the toilet and void your warranty.



Long period

Preparing your toilet for a lengthy period of non-use

In cases of longer periods of non-use or risk of lightning strikes, the plug should be disconnected from the power supply in order to protect the toilet against damage. NB! The waste must be incinerated and the yellow light switched off before disconnecting the plug. If unburned waste remains in the toilet, this could cause substantial damage over time. The toilet should be stored dry, and to reduce the external influences of temperature variations and moisture, it may be wise to disconnect the toilet from the pipes for longer periods of non-use. Remember to always reinstall the toilet before use.



Max 4 visits

Short period of increased use

Should the situation require an unusually high number of guests to use the toilet for a short period of time, please follow these tips:

1. Empty the ash container completely before guests arrive.
2. Preheat the toilet before use by opening and closing the lid then pressing the Start button.
3. Ensure guests are instructed to use a bowl liner and press "Start" after every visit.
4. Check regularly to ensure the toilet lid is closed and the yellow incineration light is still lit.
5. You may need to run an extra incineration cycle or two before emptying the ash container to ensure that the waste has been fully incinerated.
6. If the increased use lasts multiple days, make sure to empty the ash container often, about every two days.

3.7 THE CONTROL PANEL

The control panel is equipped with a combination of light, sound and display messages that will give the best possible user experience. There are a number of light and sound combinations that will tell the user about the status of the system. It is important that all users familiarise themselves thoroughly with these signals before use. An overview of all the light and sound signals can be found in the troubleshooting table in section 5.1.



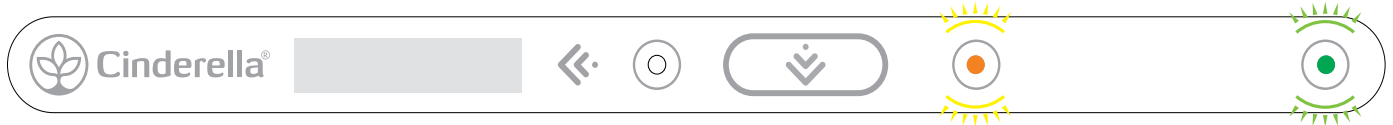
NOTE!

- A green light indicates that the toilet is connected to the power supply. When only the green light is lit, the toilet is in standby and ready for use.
- A yellow light indicates an ongoing incineration process and will light constantly while the toilet is in incineration mode
- A red light indicates interruption and will alert the user that the toilet is no longer incinerating or in standby.

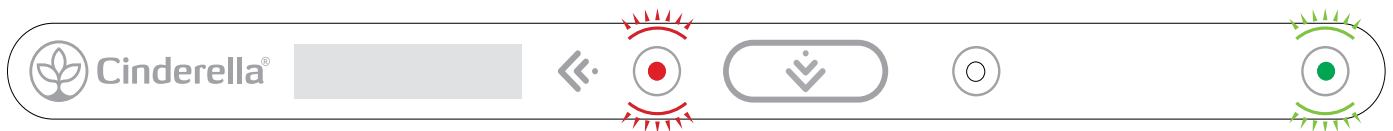
Standby



Incineration mode

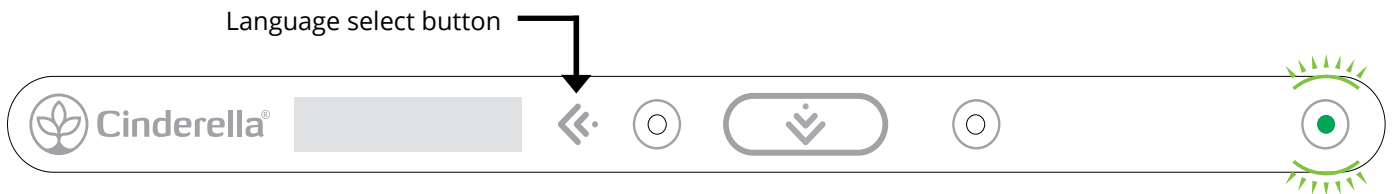


System interrupted



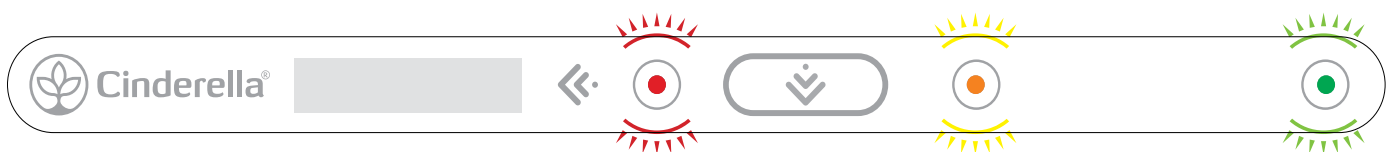
Selecting your language

Hold down the "Select language" button for three seconds until "Language" is displayed on the first text line. The current language will be displayed on the second line. Push the "Select language" button repeatedly until the desired language is displayed. The new language will be saved a few seconds after you press the button, and the toilet will resume operation.



Emptying indicator

Your Cinderella appliance will indicate when it is time to empty the ash container. The display will read "EMPTY THE ASH CONTAINER" and you will hear three short beeps when the toilet lid is opened. If not emptied within a certain amount of uses, the toilet will lock down. At this point the yellow, red and green lights are constantly lit and the display will read "TOILET LOCKED CONTAINER FULL". You will hear three short beeps every ten seconds until the ash container is emptied.

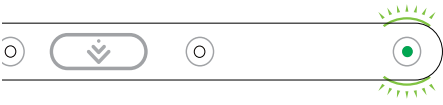


NOTE!

The ash container will usually only be half full when you get the indication to empty the ash, you should still empty the ash as emptying it often improves the incineration efficiency.

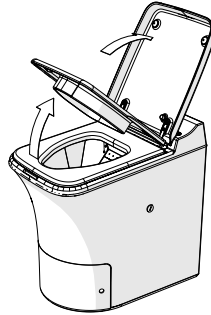
3.7 USING THE CINDERELLA COMFORT TOILET

1



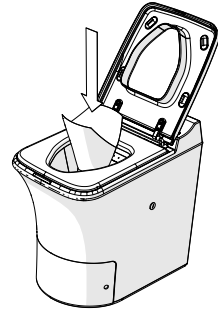
1. Check that the green light on the control panel is lit, indicating the unit is powered and ready for use.

2



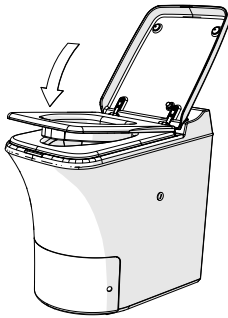
2. Lift the toilet lid and seat. A red light starts flashing. The ventilation fan starts.

3



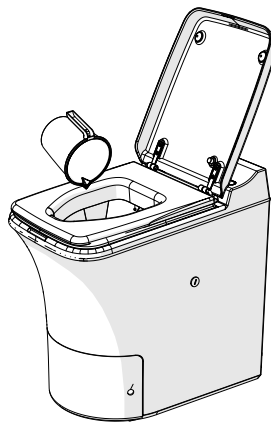
3. Place a bowl liner in the bowl. Use a new bowl liner for every visit.

4



4. Lower the seat. The toilet is ready for use.

5



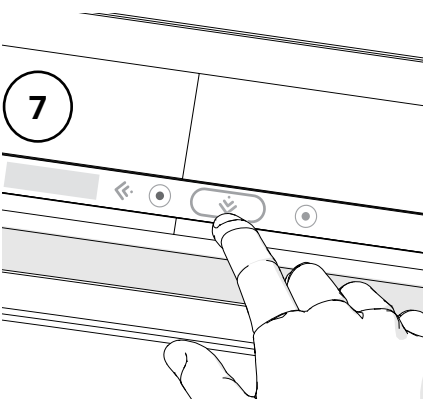
5. Use the toilet as usual. If little waste is produced, it may be helpful to pour some water into the bowl to add weight.

6



6. Close the toilet lid.

7



7. Push the "Start" button to drop the bowl liner and its contents into the incineration chamber. Incineration begins as soon as the hatch is closed. The toilet is now ready for the next user.

8



8. A constant yellow light will display during active incineration. The toilet may be used at any point. This will temporarily interrupt incineration. Incineration time may vary based on the number of visits and amount of waste.

3.8 OPERATING THE FRONT COVER AND ASH CONTAINER



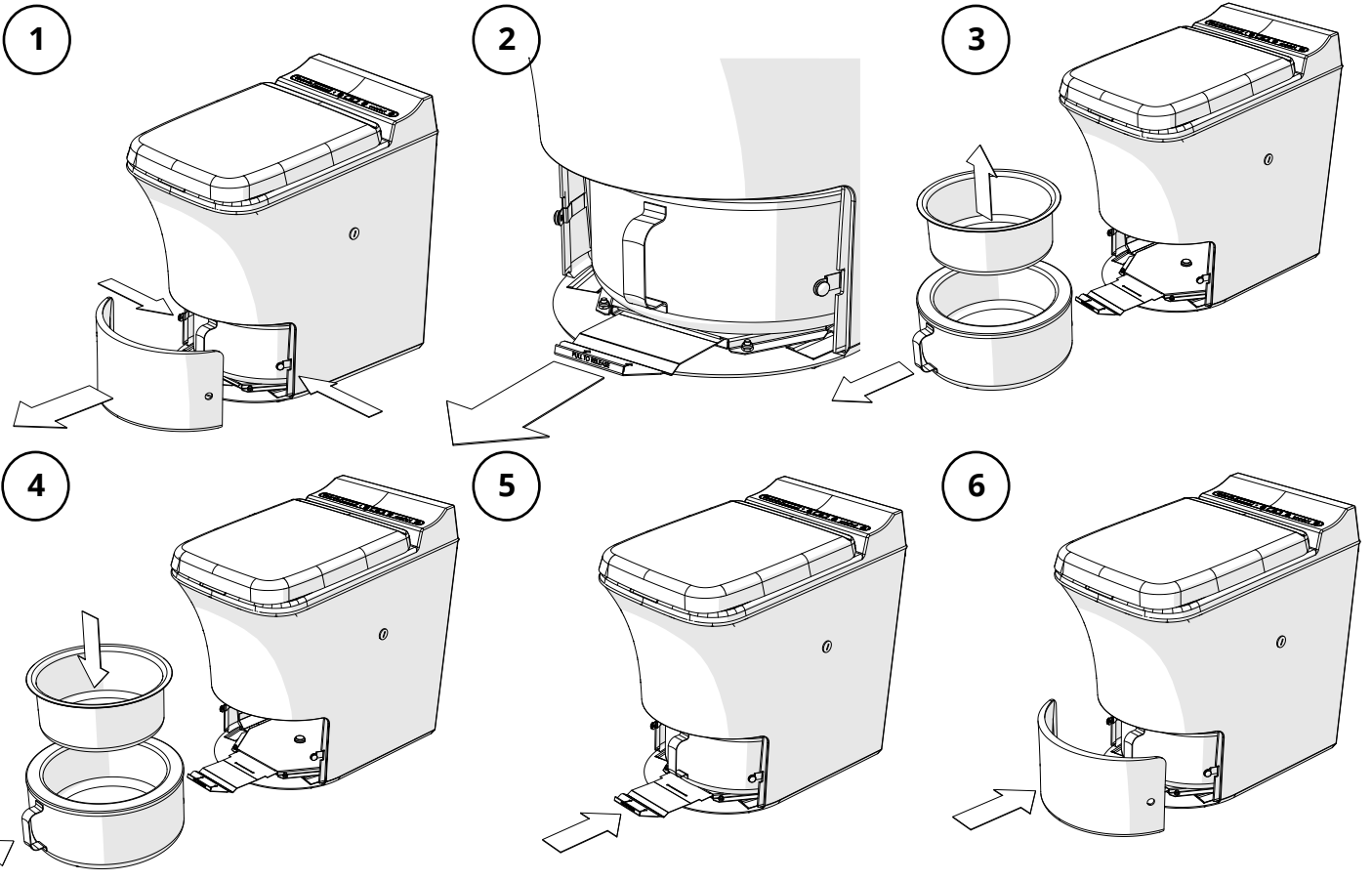
WARNING!

Only operate the ash container when the toilet is in standby mode and sufficiently cooled.

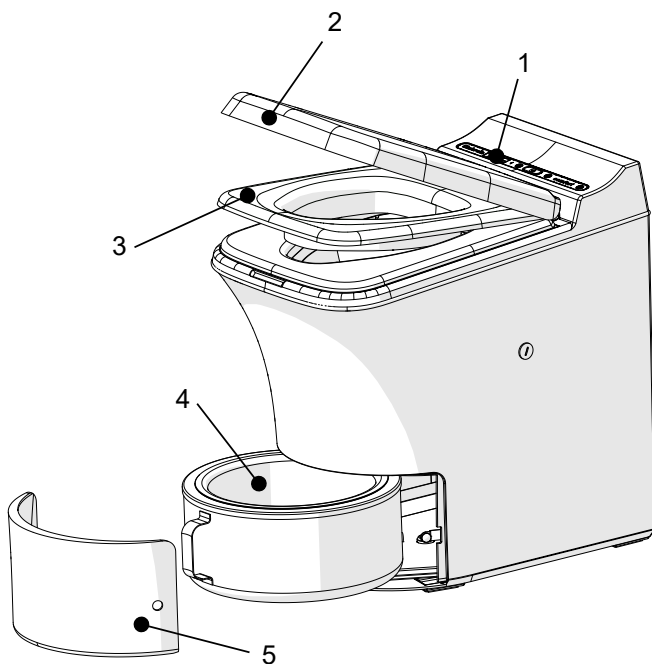


NOTE!

Please see the maintenance section for instructions regarding cleaning and emptying the ash container.



3.9 APPLIANCE ORIENTATION



ID	PART DESCRIPTION
1	Control panel w/display
2	Lid
3	Seat
4	Insert for ash container
5	Front cover
6	Ash container
7	Temperature safety

4. GENERAL MAINTENANCE INSTRUCTIONS

This manual includes both customer maintenance and the maintenance to be performed by professionals in accordance with the necessary expertise and authorizations.

A smooth-running air circulation system is critical to keep your toilet functioning properly. Particles generated during the incineration process can clog the catalytic converter and exhaust pipe over time, and it is important to regularly maintain these elements to ensure proper functionality.

In order to ensure optimal operation and extend the lifetime of your Cinderella Comfort appliance you will need to set aside a little time for preventive maintenance. Good maintenance routines will give you lower operating costs and cause less wear on the product. We strongly advise our customers to perform frequent maintenance as follows:

1. Empty the toilet frequently. Do not base your use on the maximum limit of the appliance.
2. Always clean the ash container and insert when emptied (see section 4.2.1).
3. Always perform the steam cleaning after each box of bowl liners (500 uses), preferably after each emptying and washing of the ash container. (see section 4.2.2).
4. Always observe the end result characteristics when emptying the toilet. Deviations in the end result may indicate the need for maintenance or service (see section 4.1).

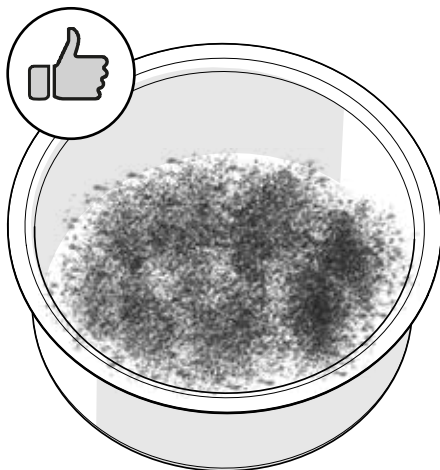


WARNING!

Before performing maintenance, always make sure that the toilet is not in incineration mode and that the toilet is sufficiently cooled.

4.1 END PRODUCT CHARACTERISTICS

The residual waste, or “ashes”, will consist of pathological residue, salts and minerals, and will therefore often be perceived as hard and crystallized. There should be no visible signs of paper or flaky layers of unburned waste, the ashes should be a combination of white and dark shade of grey. If there are larger deposits of black unburned waste, humidity or paper when emptying the toilet, please start an additional incineration without inserting paper or water. When the incineration is completed, empty the ash container and perform the maintenance procedures as instructed in this manual.

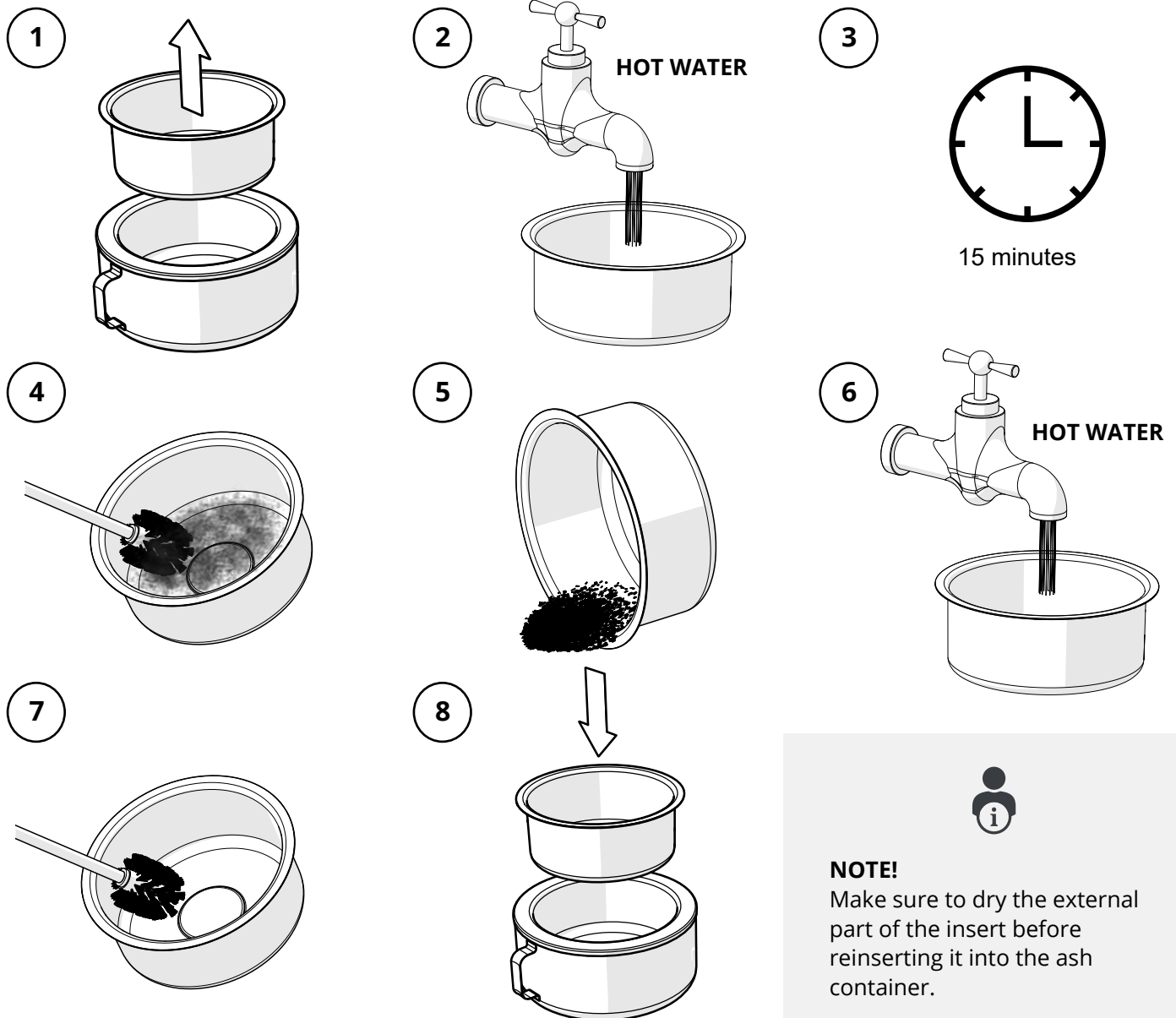


NOTE!

The residual ash is sterile and does not contain bacteria or pathogens. Residual ash is recommended to be disposed of as trash. Note that restrictions may apply in some countries, make sure to familiarize yourself with and follow local rules.

4.2 MAINTENANCE

4.2.1 EMPTYING AND CLEANING THE ASH CONTAINER



CAUTION!

- Do not use any sharp tools or objects when cleaning the ash container insert, as this will damage the insert and reduce its service life.



NOTE!

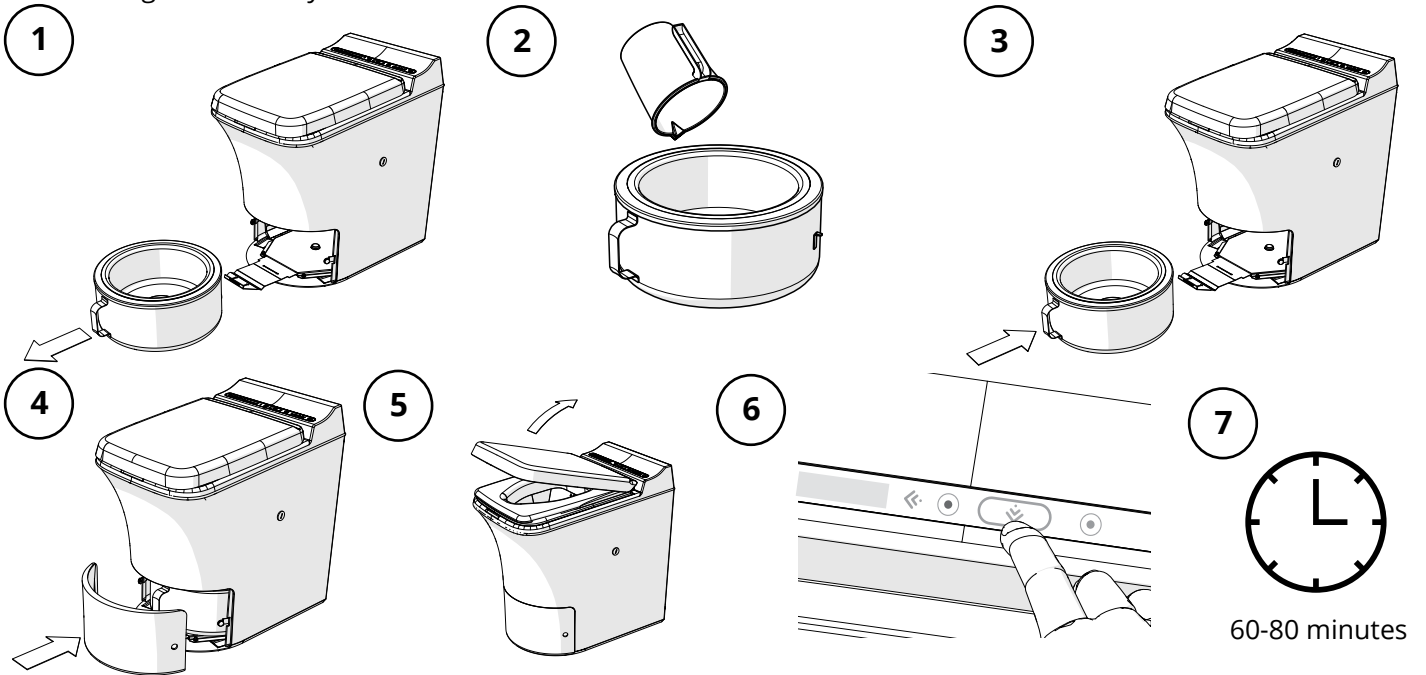
- In order to preserve the functionality of your toilet in the best possible way, we recommend that you carry out the "steam cleaning" procedure in accordance with section 4.2.2 every time you empty and wash the insert. This will prevent the possible accumulation of tar and unwanted deposits in the catalytic converter and toilet exhaust system.
- When emptying the toilet, make sure that the grid power is connected. Emptying the appliance without power will not enable the system to reset the use counter.
- It is better to empty the ash as often as possible for better incineration efficiency.

4.2.2 STEAM-CLEANING THE CATALYTIC CONVERTER

Recommended frequency: When emptying the ash container or at least every 500 uses.

1. Ensure that the toilet is cold and the ash container has been emptied and cleaned (see section 4.2.1).
2. Remove the front cover and release the ash container

3. Pour approximately 1 L of clean water into the toilet insert
4. Insert the ash container carefully without spilling any water, and attach the front cover.
5. Lift the lid and verify that the fan starts spinning.
6. Press "Start" to begin an incineration cycle.
7. The water will start to boil and the steam will clean out any debris in the catalytic converter. This system cleaning will normally take 60–80 minutes.

**NOTE!**

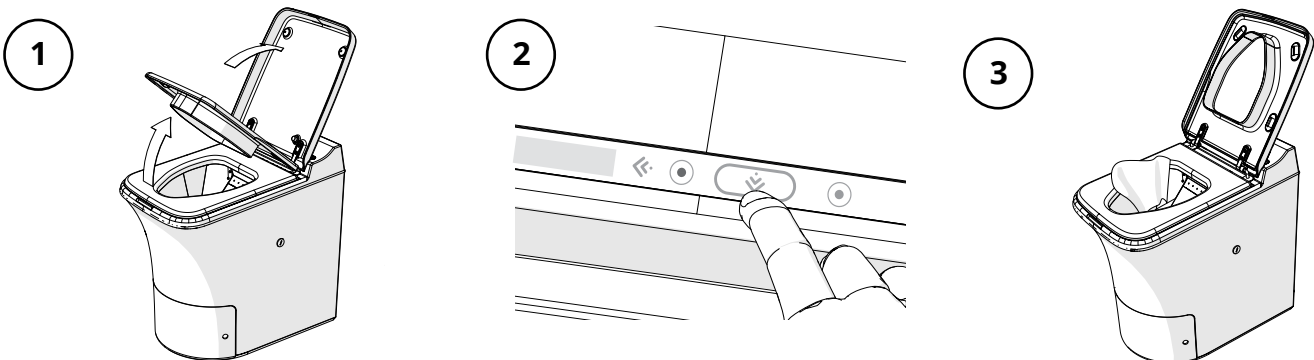
Do not use the toilet during the maintenance procedure, as this will impair the function of the cleaning. The toilet can be used when the toilet returns to standby mode.

4.2.3 CLEANING THE BOWL

Recommended frequency: as required for cleanliness and when emptying the ash container.

To clean the bowl:

1. Open the toilet lid.
2. Press and hold the "Start" button for three seconds to open the hatch to the washing position.
3. Use moist paper, water and a mild cleaning agent as required. Drop the paper in the bowl and close the lid.

**DANGER!**

- Do not use flammable cleaning agents to clean the bowl.
- Some metal edges may be sharp
- The toilet needs to be cooled and in standby mode before cleaning the bowl.

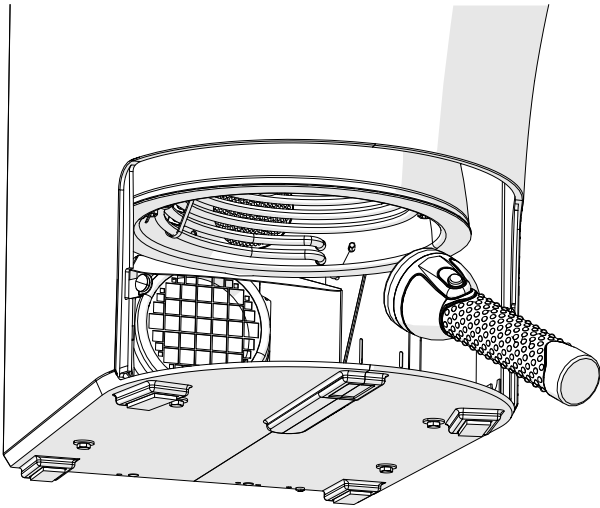
**CAUTION!**

Do not use chlorine-based cleaning agents to clean the bowl. Chlorine is extremely harmful for the catalytic converter and if put into the toilet it may cause it to malfunction.

4.2.4 INSPECTING THE CATALYTIC CONVERTER

Recommended frequency: Every 500 uses.

The catalytic converter is the primary air duct between the incineration chamber and the appliance flue terminal. Any accumulations of particles in the catalytic converter will reduce the flow rate and the toilet efficiency, and may be the cause of bad odour. It is therefore important to ensure that the catalytic converter is open at all times. Any changes in incineration time, incineration efficiency or odour, may be due to dense catalytic conversion. The best method to easily clean the catalytic converter is to perform "steam cleaning" as described in section 4.2.2. You can also inspect the front of the catalytic converter by removing the ash container and illuminating the combustion chamber from the inside. Any remaining particles or odours persisting after steam cleaning will have to be removed by rinsing the catalytic converter with hot water as described in section 4.2.6.



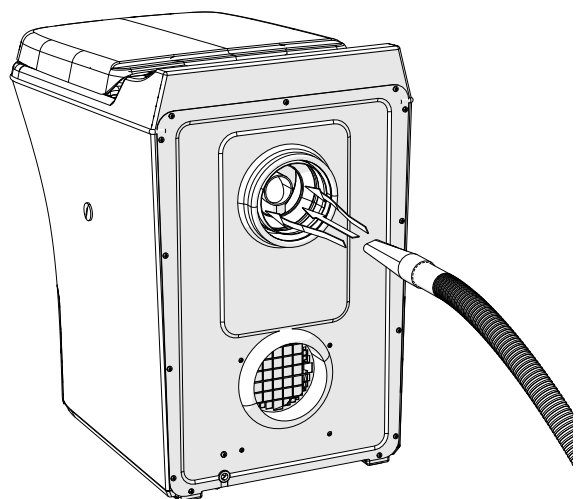
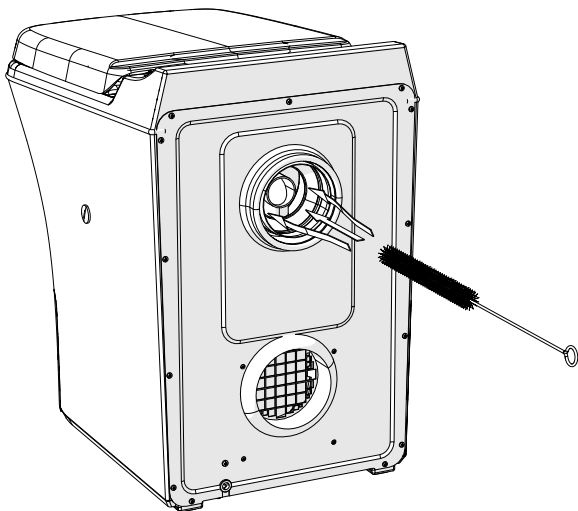
NOTE!

Clear signs of corrosion or deformity of the catalytic converter will indicate that the catalytic converter must be replaced. Contact your local service provider to arrange for service.

4.2.5 CLEANING THE APPLIANCE FLUE TERMINAL

Recommended frequency: at least every 500 uses.

1. The appliance will have to be disconnected from the flue pipe and power source.
2. Clean the flue terminal with a flexible brush, it is important that you clean both the exhaust pipe and surrounding venturi all the way back to the fan blades, this to get sufficient air flow.
3. Remove the ash container and clean out any debris in the container.
4. Use a vacuum cleaner to extract the remaining debris in the exhaust pipe and catalytic converter.
5. Reconnect the appliance to the flue pipe and power supply.
6. Install the ash container and front cover.
7. It is recommended that you perform a steam cleaning as described in section 4.2.2 after performing the flue terminal maintenance.

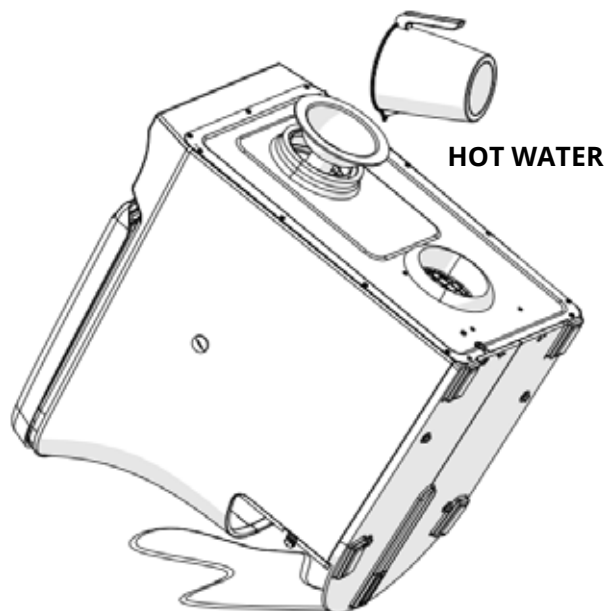


4.2.6 RINSING THE CATALYTIC CONVERTER WITH HOT WATER

Recommended frequency: at least every 500 uses.

Rinsing the catalytic converter with water may be necessary in situations where steam cleaning do not remove the particles or bad odours. This procedure requires heavy lifting and a facility where spillage of water is acceptable. Make sure to perform steps 1-7. in the "Cleaning the appliance flue terminal" (4.2.5) procedure and follow the steps as follows:

1. Place the toilet where it is OK to spill water, e.g. where there is a suitable drain, outside or in a bath. Use the specially designed Cinderella funnel, or a funnel that fits in the flue pipe. Slightly tilt the toilet forward, and pour 2-3 L of hot water through the flue pipe and catalytic converter. The excess water should be clean at the end of the rinsing process. If necessary, use more water to properly clean the system.
2. Repeat step 1 4-5 times until the water is clean and no crystals or other obstructions can be spotted when inspecting the catalytic converter (see section 4.2.4)
3. Reconnect the appliance to the flue pipe and power supply.
4. Install the ash container and front cover.
5. Perform the performance test as described in section 2.8



NOTE!

Before disconnecting the appliance and rinsing the system with hot water, inspect the catalytic converter and perform steam cleaning in accordance with section 4.2.2. If the catalytic converter is still clogged, or odour is still noticeable when incinerating, perform the system rinsing.



CAUTION!

It is advised to be two people to do this operation, where one can hold the toilet while the other rinses the catalytic converter.

5. TROUBLESHOOTING AND FAQ



WARNING!

Service must be performed in accordance with all state, municipal and local codes. If you are unsure of the regulations in your area, please contact your nearest dealer or service representative for further instructions. The power should be disconnected when performing all servicing and maintenance on the toilet.

Online Troubleshooter Module

The sound and light signals on the toilet control panel indicates the operating status of the toilet. Downtime and faults in the toilet will be notified with various sound and light signals as described in section 5.1 in this manual. We have gathered the most common errors / problems in an online troubleshooter, so that you can easily get answers to what is wrong with your toilet, and get suggestions on how you can solve the problem yourself.

Resetting the toilet system

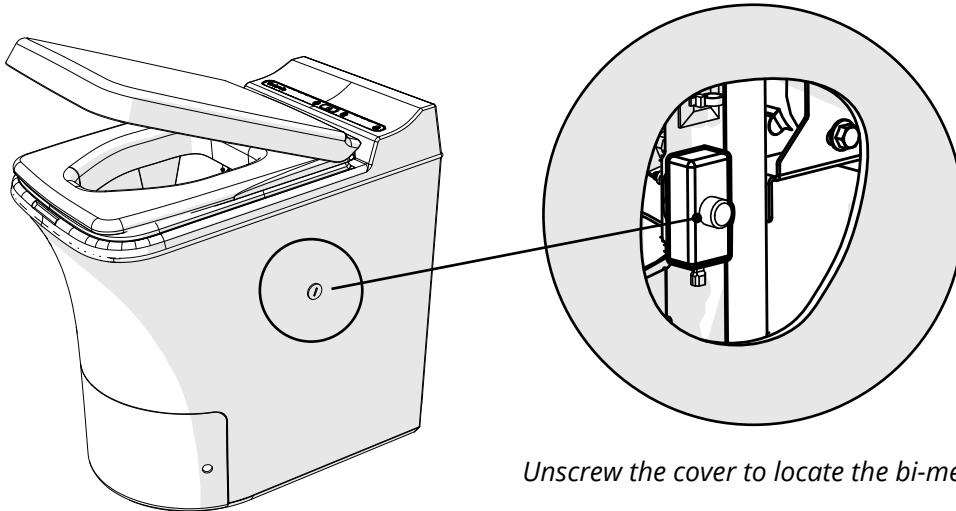
During cleaning and troubleshooting, resetting the electronics may sometimes be helpful. You can do this by pressing the "Start" button. This will cause a short beep to sound. Hold down the button for about eight seconds until you hear a long beep, then release the button.

Error messages

When lights are flashing, you should look for the reason, and fix the problem before using the toilet. You must take immediate action in the event of any irregularities such as odours, poor incineration or system failures, in order to avoid damage and unnecessary repair costs.

Triggered bi metal thermostat

The bi metal thermostat is triggered if the internal temperature in the toilet is too high. This will normally occur if there is a lack of air flow, or restriction in the inlet- or outlet section of the installation. It is therefore important that you check that the intake air is in accordance with the specifications, and that the flue vent is open and free of obstacles. Visually check the catalytic converter and perform the steam cleaning procedure in accordance with section 4.2.2.



Unscrew the cover to locate the bi-metal switch.

During a power outage

If an incineration process is ongoing during a power outage, you may experience temporary odours from inside the toilet and smoke and odours from the flue pipe outside. The fan will operate on battery power until it is cooled. Since the incineration will not automatically restart when the mains power returns, you must manually start a new incineration cycle. If the power outage is expected to last for longer than two hours, it is important that you empty any waste from the toilet, as this could damage the toilet if it remains there for a longer period of time. Never use the toilet during a power outage.

Odours in the room

Odours can have several causes:

1. Failure to use a bowl liner each time the toilet is used or improper use of the liner.
2. The airflow may be blocked. Inspect the flue pipe and flue termination cap.
3. Check that the installation has been performed in accordance with the installation manual. Too much restriction in the flue pipe could cause back pressure and cause odours inside.
4. The exhaust pipe may be clogged. See section 4.2.5.
5. The catalytic converter may be clogged. See section 4.2.4.
6. The outlet pipe is not properly fixed to the toilet. See section 2.4.3.

Odours outside

The causes may be the same as for inside the room, or:

1. The catalytic converter has not reached operational temperature. When the toilet is cold it can take a few minutes before the catalytic converter reaches the temperature where it starts to function properly.
2. The catalytic converter may be corroded or deformed. Contact your servicing provider.

Power surges

If the appliance experiences a surge of power, for example during a lightning storm, the appliance will reset automatically, and a new incineration will have to be started manually.

5.1 TROUBLESHOOTING TABLE

ERROR	DISPLAY MESSAGE	RED LIGHT	YELLOW LIGHT	GREEN LIGHT	SOUND	ACTIONS
Ash container should be emptied	Empty the ash container	FLASHING Alternately	FLASHING Alternately	STEADY ON	3 BEEPS	1 Remove and empty the ash container * Toilet must be connected to power.
Ash container must be emptied. Toilet locked.	Toilet locked container full	STEADY ON	STEADY ON	STEADY ON	3 BEEPS 10 SECONDS APART	1 Remove and empty the ash container * Toilet must be connected to power.
No power		OFF	OFF	OFF		1 Make sure that the toilet is connected to power, 230V AC
Ventilation fan error	Error fan	FLASHING	OFF	FLASHING	10 BEEPS	1 Check fan for obstructions and ensure that fan is rotating properly. 2 Reset toilet (hold down "Start"). 3 Open lid until red light flashes, close lid and press "Start". If error persists, call support
Malfunctioning hatch mechanism	Error hatch mechanism	FLASHING	OFF	STEADY ON	10 BEEPS	1 If toilet is warm, reset toilet 2 Open lid until red light flashes, close lid and press "Start" 3 If unsuccessful, reset toilet, insert a bowl liner and pour 3 cups of water into the liner, close lid and press "Start" 4 If unsuccessful wait until the toilet has cooled (fan stopped) Restart toilet and open lid when the hatch is opening, remove stuck items manually. If problem persists, call support 5
Ash container out of position	Ash container out of position	FLASHING	FLASHING	STEADY ON	3 BEEPS	1 Adjust the position of the ash container, rotate to the left side 2 Check that the stop pin on the container is intact 3 Visually check the condition of the magnet on the container. If problem persists, call support
Heating circuit interrupted	Error heating circuit	OFF	FLASHING	STEADY ON	CONTINUOUS BEEPS	1 Reset the toilet. 2 Check bimetal thermostat on right-hand-side of toilet. Unscrew grey plug and push on fuse inside with finger: do not use any sharp objects If the fuse was triggered, you will hear a click. See section 5. 4 If the fuse was not the problem, restart toilet and try to start toilet. Repeat a couple of times. If problem persists, call support
Toilet lid sensor is triggered	Lid is open	FLASHING	OFF	STEADY ON	NONE	1 Check the magnet situated inside the toilet lid and close lid. If problem persists, call support.
Malfunctioning temperature sensor	Error temp sensor	OFF	FLASHING	FLASHING	CONTINUOUS BEEPS	1 Reset toilet 2 Open lid until red light flashes, close lid and press "Start" 3 If failure persists, call support
Unreadable / no display message	Unreadable / blank screen					1 Unplug toilet and wait 5 minutes 2 Plug in toilet and restart toilet 3 If problem persists, call support

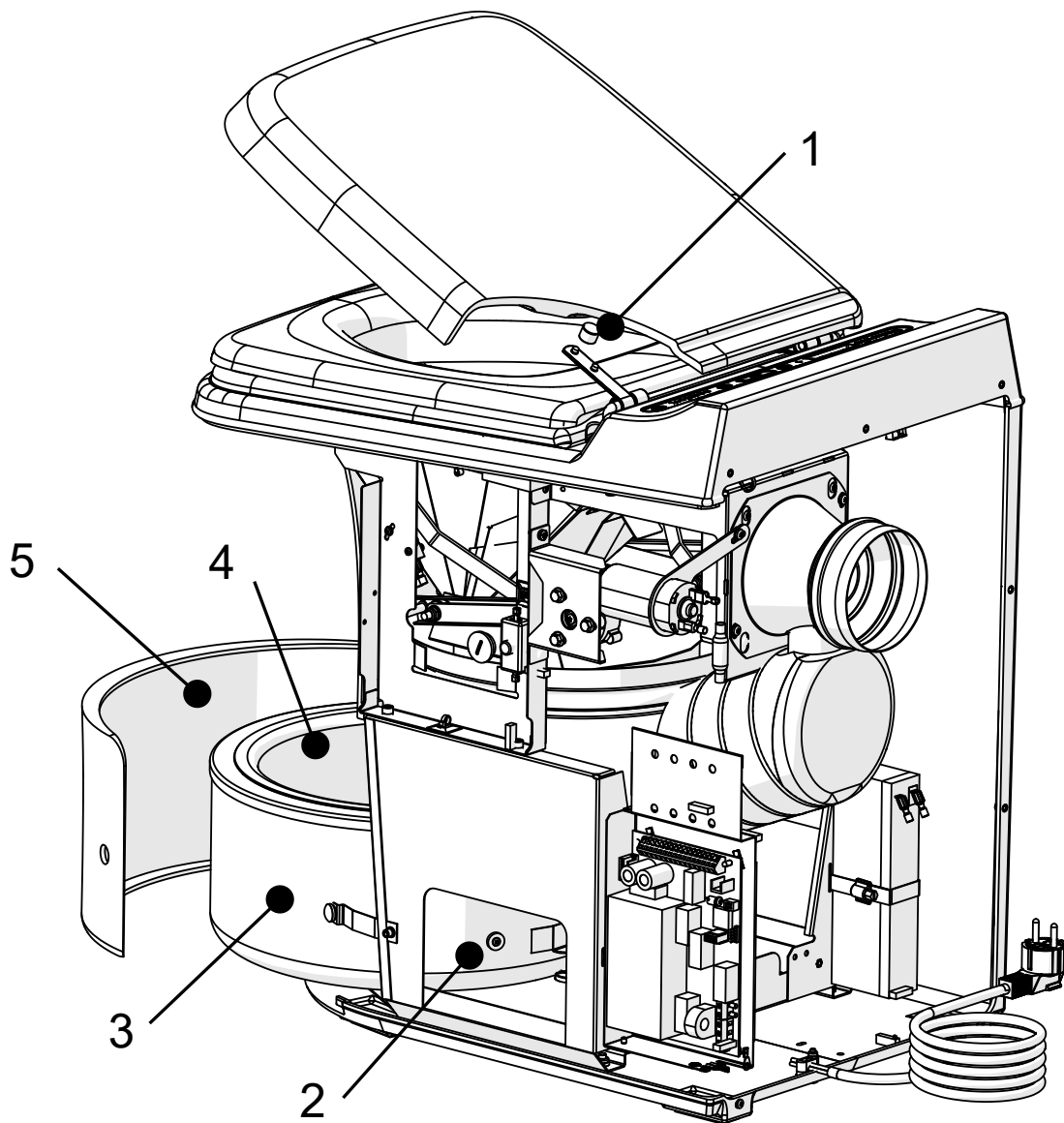


NOTE!

Cinderella has developed a digital troubleshooting module that can be found on our website. This module will work as a guide and supplement in addition to the troubleshooting table. Please visit www.cinderellaeco.com

6. REPAIRS AND SPARE PARTS

6.1 SPARE PARTS LIST



ID	PART DESCRIPTION	ART. NO
1	Magnet 14x10 mm	100433
2	Magnet 14x7 mm	100065
3	Ash container	100715
4	Ash container insert	100014
5	Front cover	100077

6.2 APPLIANCE PROCESS OVERVIEW

The Cinderella appliance is designed according to fail-safe principles. In the event of component failure or faulty control signals, the toilet will go into "safety mode". This means that the unit will not be able to start an incineration and error messages will appear on the display, ensuring that all component and/ or signal failures that may occur are safeguarded in the system

The appliance is equipped with hall sensors that control both the lid and ash container. These sensors are normally open and will be triggered when in contact with the magnet(s) mounted on the outside of the container and inside the toilet lid.

When the lid is opened, the axial fan will start to ventilate the system. After each use, the incineration is activated by pressing the button on the control panel. The bowl liner with its waste contents is dropped from the toilet bowl into the incineration chamber, where it is safely incinerated at a high temperature.

The hatch mechanism is controlled by two microswitches, one mounted on the top of the toilet frame to check that the hatch is in the desired "open" position, and one mounted on the lower front end of the appliance ensuring that the hatch is in safe, enclosed position.

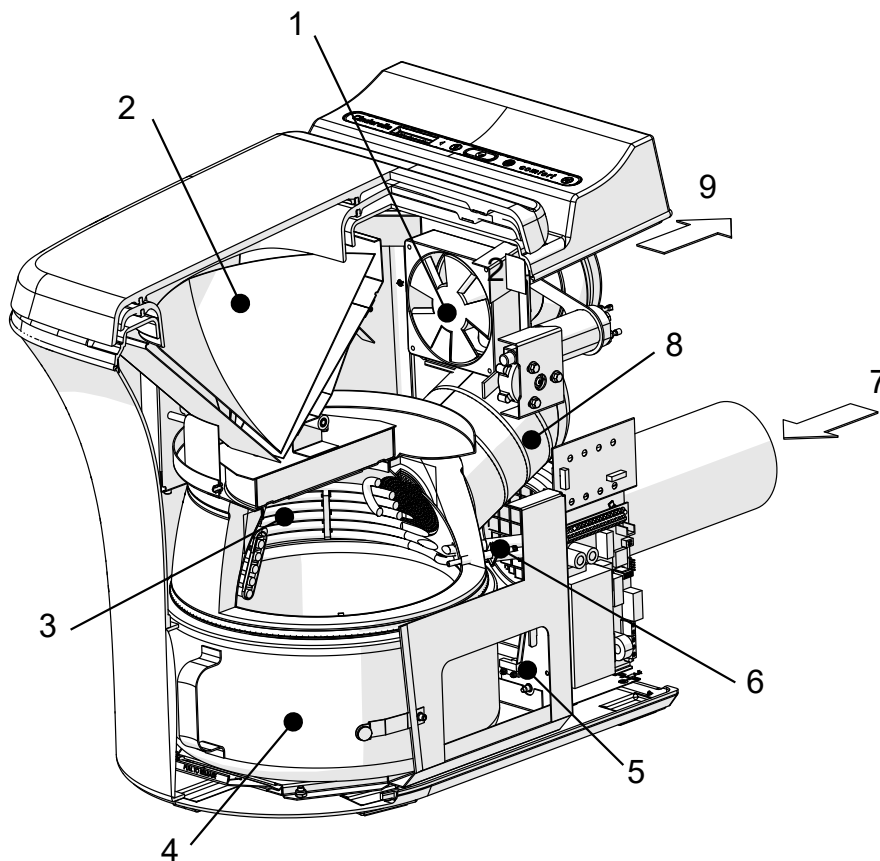
During incineration, the air supplied into the appliance provides the oxygen required for proper Incineration. The exhaust vent removes excess heat. All fumes and vapours are processed through a heat-activated platinum catalytic converter to reduce emissions and odours.

The temperature inside the incineration chamber is closely monitored by the thermocouple mounted inside the chamber, the temperature inside the toilet is safeguarded by the bimetal thermostat mounted on the interior frame of the toilet.

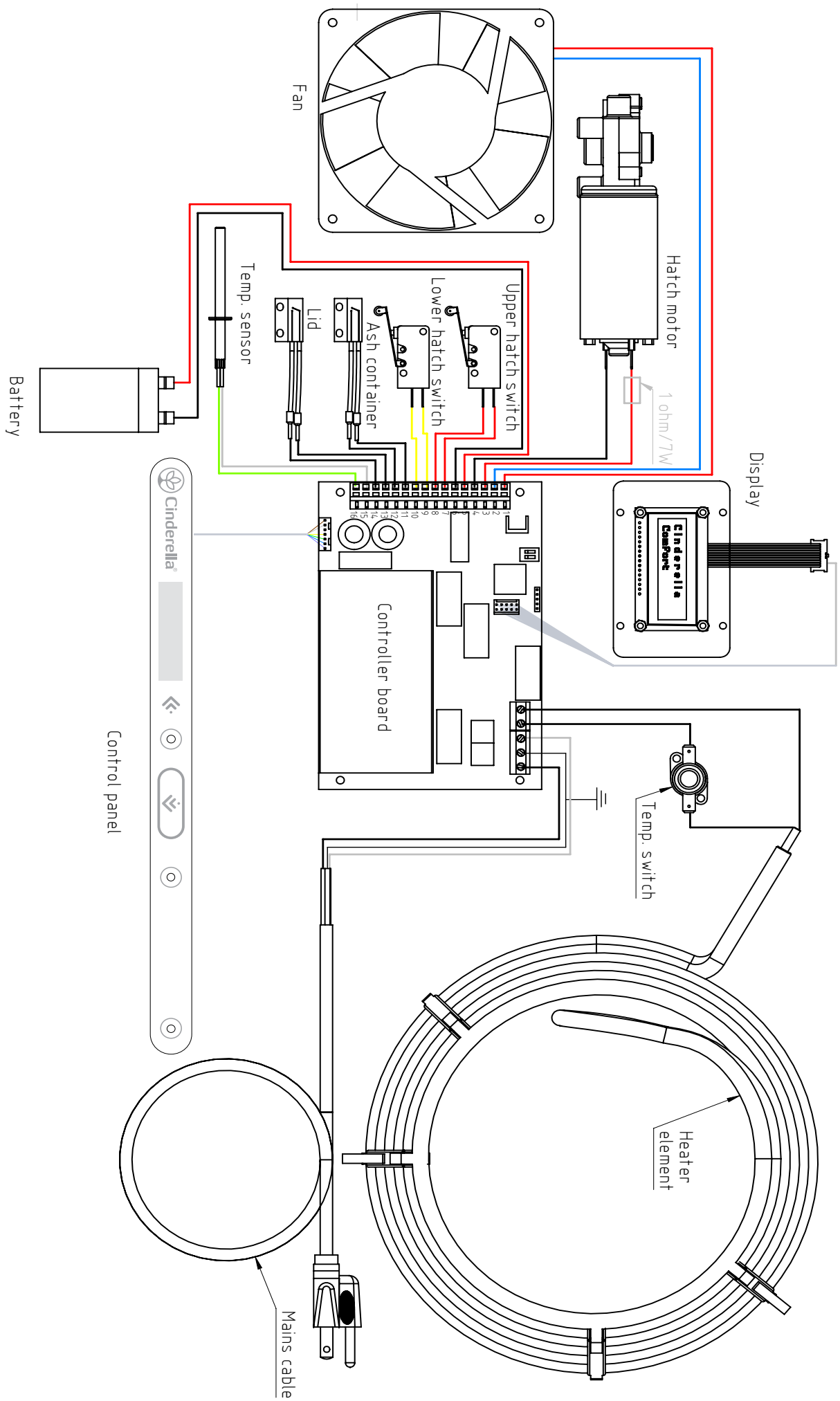
The incineration process can take 40 – 180 minutes and is controlled automatically by the appliance's sensory technology. The toilet can be used at any time while incinerating. The incinerating process will be paused when the lid is opened and automatically reactivated when lid is closed. Numerous safeguards exist to ensure safe operation. See section 3.4 of this manual.

6.3 TECHNICAL ORIENTATION

ID	PART DESCRIPTION
1	Axial fan
2	Liner placed in bowl
3	Heating element
4	Ash container
5	Hall sensor
6	Thermocouple
7	Inlet air
8	Catalytic converter
9	Outlet air



6.4 WIRING DIAGRAM



7. WARRANTY

What does this Warranty cover?

This warranty covers defects in materials or workmanship in your Cinderella Incineration Unit on the terms, for the period and subject to the exceptions set out below.

What does this Warranty not cover?

This warranty does not cover normal wear and tear or damage caused by accidents (including fire, floods, hurricanes or acts of nature), abuse, misuse, failure to follow manufacturer directions or improper maintenance. Consequential and incidental damages are not recoverable under this warranty. Cinderella Eco Group does not apply an "on-site" warranty. This means that the toilet must be transported to an Authorized Service Provider who can do the service. If this is not possible, a transport or travel cost may be charged by the dealer.

How long does the Warranty apply?

This warranty lasts for a period of three (3) years from the original date of purchase for regular customers. Professional users are granted one (1) year warranty.

What will Cinderella Eco Group do?

If you submit a valid claim under this warranty, Cinderella Eco Group will either repair, replace or refund the purchase price of your Cinderella Incineration Unit, at its sole discretion.

How do I arrange a service?

To arrange a service, contact your Sales dealer or an Authorized Service Provider in your country. Available service options are dependent on the country in which service is requested.

You may be required to furnish proof of purchase details when making a claim under this warranty. For further warranty information please refer to our web page: www.cinderellaeco.com

Cinderella Eco Group AS

Sjøvikvegen 67, 6475 Midsund, Norway
www.cinderellaeco.com

INNHold

1. GENERELT	3
1.1 INNLEDNING	3
1.2 BRUK I HENHOLD TIL FORSKRIFTER	3
1.3 BRUKSANVISNING	3
1.4 ANSVARSBEGRENSNING	3
1.5 GODKJENNINGER OG SERTIFISERINGER	3
1.6 MILJØKRAV	3
1.7 INFORMASJON OM AVFALLSHÅNDTERING	3
1.8 GENERELLE SIKKERHETSINSTRUKSER	4
1.9 TYPESKILT	5
2. INSTALLASJON	6
2.1 UTPAKKING AV TOALET OG TILBEHØR	6
2.2 MÅLSPESIFIKASJONER	6
2.3 ORIGINALE INSTALLASJONSPAKKER FOR CINDERELLA TOALET	7
2.4 SPESIFIKASJONER FOR INSTALLERING	8
2.4.1 SPESIFIKASJONER FOR DELER OG MATERIALER	8
2.4.2 INSTALLASJON AV CINDERELLA FORBRENNINGSTOALET	8
2.4.3 INSTALLASJON AV AVTREKKSØR	9
2.4.4 INSTALLASJON AV DET VANNRETTE INNTAKSRØRET	10
2.4.5 INSTALLASJON AV DEN ORIGINALE CINDERELLA REGNHATT FLOW	11
2.5 ELEKTRISKE SPESIFIKASJONER OG KRAV	11
2.7 SJEKKLISTE FOR Å VERIFISERE KOMPLETT INSTALLASJON	12
2.8 YTELSESTEST FOR Å VERIFISERE SYSTEMETS FUNKSJON	13
3. BRUK	13
3.1 BRUKSOMRÅDE OG HÅNDTERING	13
3.2 GENERELL SIKKERHET	14
3.3 SIKKER DRIFT	14
3.4 SIKKERHETSFUNKSJONER PÅ CINDERELLA COMFORT	14
3.5 VIKTIG INFORMASJON OM BRUK	15
3.6 BETJENINGSPANELET	16
3.7 BRUK AV CINDERELLA COMFORT-TOALET	17
3.8 BETJENING AV FRONTDEKSELET OG ASKEBEHOLDEREN	18
3.9 APPARATETS BESTANDDELER	18
4. GENERELLE VEDLIKEHOLDSINSTRUKSER	19
4.1 FORBRENNINGSRESTENES EGENSKAPER	19
4.2 VEDLIKEHOLD	20
4.2.1 TØMMING OG RENGJØRING AV ASKEBEHOLDEREN	20
4.2.2 DAMPRENGJØRING AV KATALYSATOREN	20
4.2.3 RENGJØRING AV SKÅLEN	21
4.2.4 INSPEKSJON AV KATALYSATOREN	22
4.2.5 RENGJØRING AV TOALETETS AVTREKKSØBLING	22
4.2.6 SKYLLING AV KATALYSATOREN MED VARMT VANN	23
5. FEILSØKING OG SVAR PÅ VANLIGE SPØRSMÅL	23
5.1 FEILSØKINGSTABELL	25
6. REPARASJONER OG RESERVEDELER	26
6.1 RESERVEDELSLISTE	26
6.2 OVERSIKT OVER FORBRENNINGSPROSESSEN	27
6.3 TEKNISK ORIENTASJON	27
6.4 KOBLINGSSKJEMA	28
7. GARANTI	29

1. GENERELT

1.1 INNLEDNING

Det er viktig å sørge for riktig ventilasjon i samsvar med retningslinjene i denne håndboken, for å garantere funksjonaliteten til det nye Cinderella-toalettet ditt. Feil installasjon kan føre til funksjonsfeil, slitasje eller lukt og vil gjøre garantien ugyldig. De tekniske og administrative forskriftene som gjelder i landet der produktet installeres, må overholdes.

1.2 BRUK I HENHOLD TIL FORSKRIFTER

Dette produktet er laget for å forbrenne kroppslige avfallsprodukter og små sanitærartikler som tamponger og alkoholfrie våtservietter.

1.3 BRUKSANVISNING

Les denne håndboken grundig før installasjon og første gangs bruk. Oppbevar håndboken på et trygt sted, slik at du kan slå opp i den ved behov. Hvis du gir forbrenningstoalettet videre til andre, skal du overlevere denne håndboken sammen med toalettet.

Håndboken gir deg den veiledningen du trenger for å installere, håndtere og vedlikeholde produktet på riktig måte. Det er viktig at både installatøren og brukeren gjør seg kjent med instruksene i håndboken. Håndboken inneholder også informasjon om profesjonelt vedlikehold og nødvendige opplysninger for service og reparasjoner.

Ytterligere informasjon og en digital versjon av dette dokumentet finnes på www.cinderellaeco.com

1.4 ANSVARSBEGRENSNING

Under utarbeidelsen av informasjonen og veiledningen i denne håndboken er det tatt hensyn til gjeldende standarder og forskrifter samt dagens teknologi. Cinderella Eco Group AS forbeholder seg retten til når som helst å gjøre endringer som anses å forbedre produktet og sikkerheten.

Produsenten påtar seg ikke noe ansvar for skader i følgende tilfeller:

- feilaktig installasjon
- skade på produktet som følge av feil tilkoblingsspenning
- endringer av produktet uten uttrykkelig tillatelse fra produsenten
- bruk til andre formål enn det som er beskrevet i håndboken
- manglende overholdelse av instruksene for bruk og vedlikehold
- anvendelse i strid med forskrifter eller bestemmelser
- bruk av ikke-originale papirposer og reservedeler

1.5 GODKJENNINGER OG SERTIFISERINGER

Cinderella Comfort er grundig testet av NEMKO i henhold til den europeiske standarden for elsikkerhet og elektromagnetisk kompatibilitet.

1.6 MILJØKRAV

- Omgivelsestemperatur: -20–40 °C
- Høyde over havet: Testet opptil 2500 m

1.7 INFORMASJON OM AVFALLSHÅNDTERING

Dette produktet må ikke kastes som husholdningsavfall. Lever apparatet til en avfallsstasjon som kan håndtere elektriske apparater.



ADVARSEL!

Når Cinderella-toalettet er installert, må minimumsavstanden til brennbare overflater/konstruksjoner være 50 mm fra sidene og 50 mm fra baksiden.

1.8 GENERELLE SIKKERHETSINSTRUKSER



FARE!

Sikkerhetsinstruks: Manglende overholdelse av denne instruksen kan føre til alvorlig personskade eller død.



ADVARSEL!

Sikkerhetsinstruks: Manglende overholdelse av denne instruksen kan føre til personskade.



AD FORSIKTIG VARSEL!

Manglende overholdelse av denne instruksen kan føre til materiell skade og forringelse av produktets funksjon.



OBS!

Tilleggsinformasjon angående bruk av produktet.



FARE!

- Ikke spray aerosoler i nærheten av dette produktet når det er i bruk.
- Ikke bruk eller lagre brennbare materialer i eller i nærheten av dette produktet.
- Ikke plasser ting på eller opp mot dette produktet.
- Ikke gjør endringer på produktet.



FARE!

- Ikke bruk forbrenningstoiletet hvis det er synlig skadet.
- Hvis strømkabelen til toalettet er skadet, må den skiftes ut av produsenten, kundeservice eller en tilsvarende kvalifisert person for å unngå sikkerhetsrisiko.
- Dette toalettet skal bare repareres av kvalifisert personell. Mangelfulle reparasjoner kan medføre alvorlig risiko.
- Bruk toalettet bare med spenningen som er angitt på typeskiltet på baksiden av apparatet.



ADVARSEL!

- Klemfare! Ikke plasser hånden på hengslet eller under toalettsetet mens det er åpent. Det er ingen myk lukkefunksjon på lokket eller setet.
- Ikke tøm askebeholderen mens den er varm.
- Forsikre deg om at strømkabelen og støpselet er tørre før du aktiverer toalettet.
- Les nøye gjennom og forsikre deg om at du forstår alle veiledninger og sikkerhetsinstruksjoner i denne håndboken før du tar toalettet i bruk. Ta vare på denne håndboken og bruk den som referanse for å opprettholde sikker funksjonalitet og for å instruere eventuelle andre brukere.







FORSIKTIG!

- Hold alltid rundt toalettshullet når du flytter eller transporter toalettet, og løft det aldri etter strømkabelen, frontdekselet, lokket, setet eller utløpsstussen.
- Fare for overoppheting! Sørg alltid for tilstrekkelig ventilasjon, slik at varmen og utslippene som oppstår ved forbrenning, kan spre seg fra avtrekksrøret. Sørg for tilstrekkelig luftstrøm til systemet. Sørg alltid for tilstrekkelig ventilasjon inn i toalettet. Forsikre deg om at toalettet står langt nok unna vegger og andre gjenstander til at luft kan sirkulere.

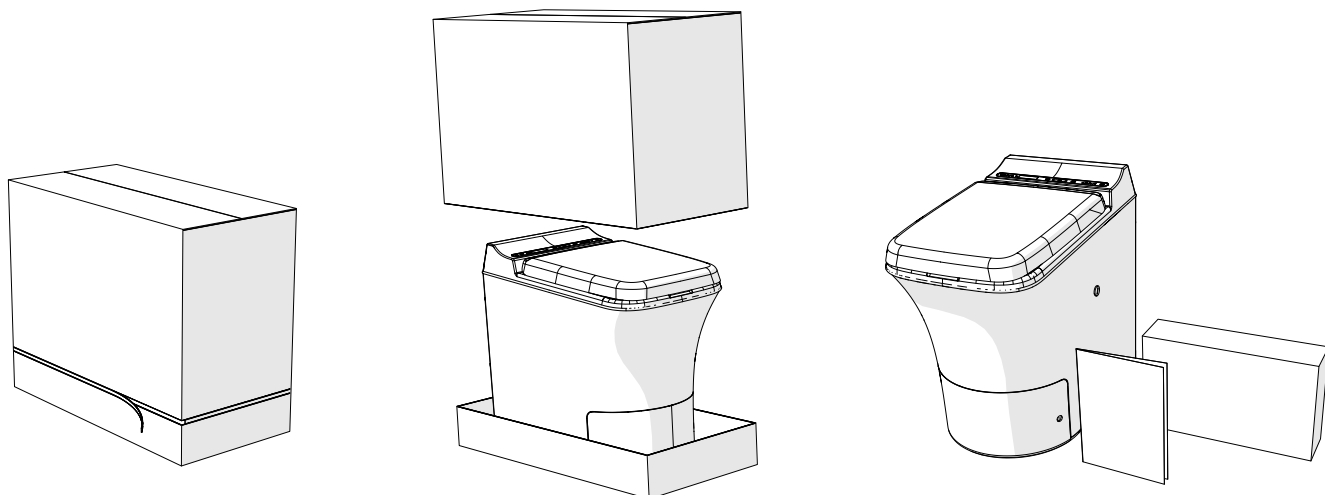
1.9 TYPESKILT

Typeskiltet finner du på bakplaten til forbrenningstoiletet. På typeskiltet finner du toalettets modellnavn, serienummer og tekniske spesifikasjoner samt kontaktinformasjon. Du trenger disse opplysningene for å kontakte kundeservicesenteret eller bestille reservedeler.

<p>MANUFACTURER</p>  <p>CINDERELLA ECO GROUP AS Sjøvikvegen 67, 6475 Midsund, NORWAY</p> <p>For sales and support call +47 77711500 or visit our web www.cinderellaeco.com</p> <p>CINDERELLA COMFORT MODEL: EM01CS02 - EU SERIAL:</p>	<p>Appliance Specifications</p> <p>VOLTAGE..... 220-240 V AC 50-60Hz CURRENT 9 A HEATING ELEMENT:..... 2000W EL MOTOR: 12 V DC BATTERY: 12 V DC 2,6 Ah FAN BLOWER..... 12 V DC PROTECTION CLASS..... IP 34 CAPACITY..... 4 VISITS PR. HOUR CIRCUIT BOARD..... E5 YEAR OF MANUFACTURING..... 2023 DESIGNED FOR STATIONARY STRUCTURES</p>	  
---	--	---

2. INSTALLASJON

2.1 UTPAKKING AV TOALET OG TILBEHØR



OBS!

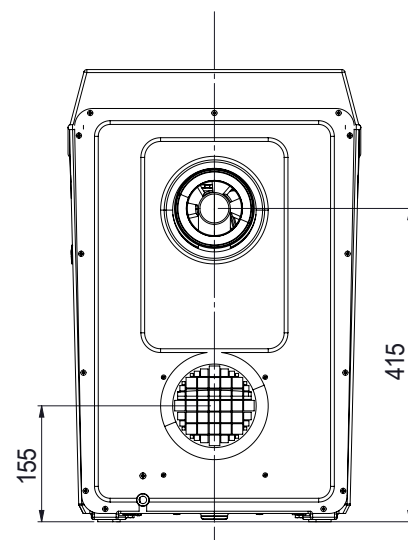
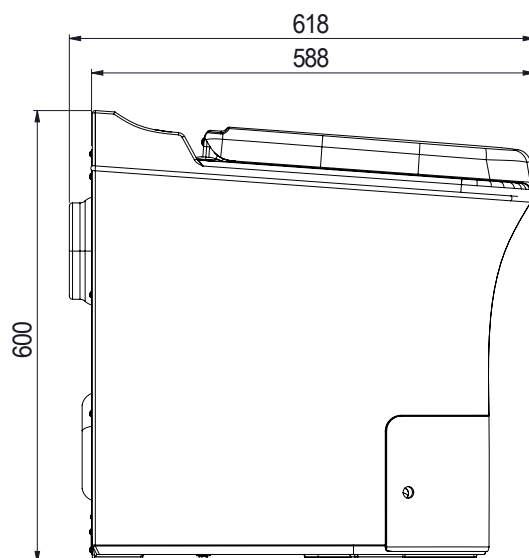
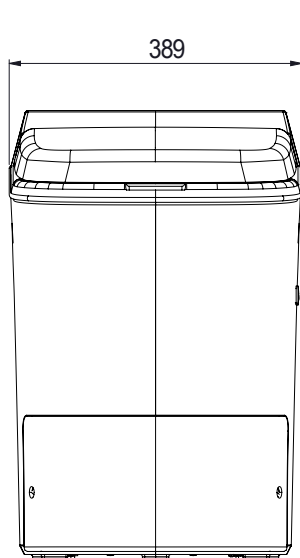
Når du pakker ut Cinderella-toalettet, bruk remsen som er festet langs bunnen av kassen. Trekk av remsen rundt hele kassen og løft kassen av.

INKLUDERTE ARTIKLER	ANTALL
Cinderella Comfort	1
Papirposer	100
Produkthåndbok	1

2.2 MÅLSPESIFIKASJONER

Høyde	600 mm
Sittehøyde	540 mm
Bredde	390 mm
Dybde	590 mm

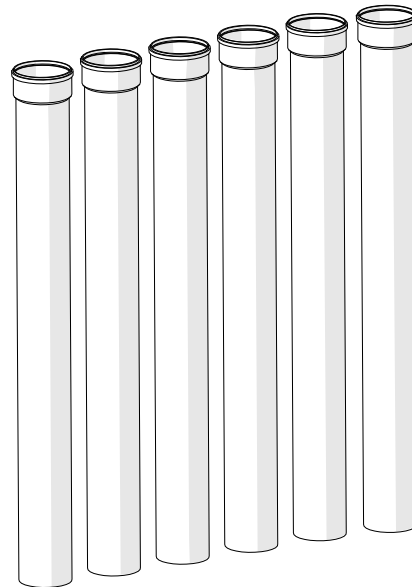
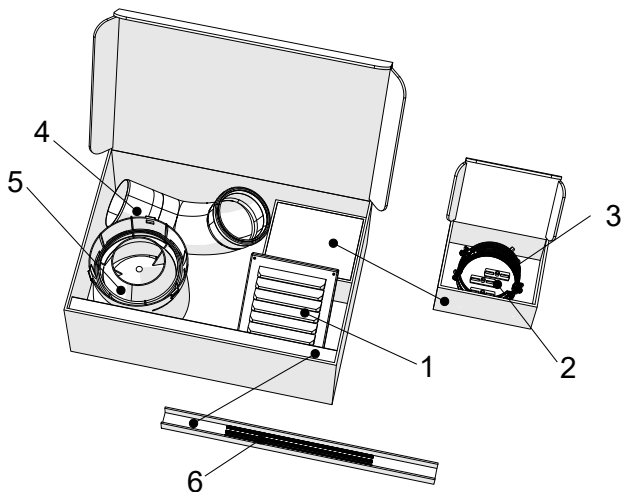
Ventilasjonsrørets ytre diameter	110 mm
Høyde senter utløp	415 mm
Høyde senter inntak	155 mm
Vekt	34 kg



2.3 ORIGINALE INSTALLASJONSPAKKER FOR CINDERELLA TOALET

Cinderella originalt isolasjonssett Arctic: Cinderella har utviklet et spesialdesignet isolasjonssett som gir deg en ekstra fordel når toalettet installeres i kalde omgivelser. Settet er spesialdesignet for Cinderella forbrenningstoalettet og legger til et lag med isolasjon inne i toalettskallet, som begrenser dannelse av vann og is på toalettet. Dette eliminerer slitasje på produktet. Forhør deg med forhandleren eller besøk oss på www.cinderellaeco.com for mer informasjon.

Cinderella originalt installasjonssett: Vi anbefaler på det sterkeste at du bruker «Cinderella originalt installasjonssett» når du installerer toalettet ditt. Dette komplette settet inneholder deler som er nødvendige for en ideell installasjon, og optimaliserer forbrenningsprosessen og funksjonaliteten til toalettet. Installasjonssettet består av to kasser. Eske nr. én inneholder en optimalisert avtrekkshette og et bend 87° som øker systemets strømningshastighet og forbrenningseffektivitet. Esken inneholder en stormkrage til luftinntaket samt rør og klemmer for å støtte rørinstallasjonen. Eske nr. to inneholder seks 110 mm UV-stabiliserte PP-rør av høy kvalitet for installering av luftinntak og avtrekk.



CINDERELLA ORIGINALT INSTALLASJONSSETT BOX 1		ANT.
1	Veggventil for innluft	1
2	Veggbrakett	3
3	Rørklemme	3
4	Bend 87 grader m/kondenskobling	1
5	Pipehatt	1
6	Gjengestang	3

CINDERELLA ORIGINALT INSTALLASJONSSETT BOX 2		ANT.
1	Hann-hunn 1015 mm avtrekksrør	6



OBS!

- Denne håndboken forklarer og illustrerer hvordan du installerer toalettet optimalt, ved bruk av de medfølgende delene i det originale Cinderella-installasjonssettet. Hvis du vil installere Cinderella-toalettet ditt med andre rør og deler enn de originale fra oss, må du forsikre deg om at de samsvarer med spesifikasjonene angitt under avsnitt 2.4.1 «Spesifikasjoner for deler og materialer».
- For å garantere at Cinderella forbrenningstoalett fungerer som det skal, er det viktig å sørge for riktig ventilasjon i samsvar med retningslinjene i denne håndboken. Installasjoner som avviker fra produsentens spesifikasjoner, eller bruk av ikke-godkjente deler i installasjonen av produktet, vil forårsake funksjonsfeil, slitasje eller lukt og gjøre garantien ugyldig.

2.4 SPESIFIKASJONER FOR INSTALLERING

2.4.1 SPESIFIKASJONER FOR DELER OG MATERIALER

ARTIKKEL	SPESIFIKASJONER
Ventilasjonsrør	Cinderella Comfort skal installeres med 110 mm rør med glatt innvendig overflate og minimum indre diameter på 102 mm. Rørmaterialet må være spesifisert for temperaturer over 100 °C og fortrinnsvis av PP- eller CPVC-type. Vi anbefaler på det sterkeste å bruke originale Cinderella PP-kvalitetsrør.
Bend 87 grader m/kondenskobling (avtrekksluft)	Cinderella Comfort skal installeres med et jevnt buet bend som begrenser luftstrømmen minimalt. Vi anbefaler på det sterkeste å bruke det originale Cinderella-bend 87° med avtapping.
Avtrekkshette	Cinderella Comfort skal installeres med en avtrekkshette som hindrer inntrenging av regnvann og begrenser luftstrømmen minimalt. Vindvifter eller lignende skal ikke brukes til ventilasjon av Cinderella forbrenningstoalett. Vi anbefaler på det sterkeste å bruke den originale Cinderella-avtrekkshetten.



OBS!

- Innsiden av ventilasjonsrøret skal være glatt og ikke preget eller rillet.
- Bendet må være tilgjengelig når det er installert, slik at avtappingsrøret kan spyles og avtrekksrøret rengjøres.
- Cinderella Comfort er testet for bruk i bad/våtrom (IP 34-klassifisert), men det må ikke sprutes vann over toalettets utvendige deler.
- Toalettet skal monteres på et fast og jevnt underlag og kan installeres på gulv med varme.

2.4.2 INSTALLASJON AV CINDERELLA FORBRENNINGSTOALETT

Det er viktig å sørge for riktig ventilasjon i samsvar med retningslinjene i denne håndboken for å garantere at det nye Cinderella-toalettet fungerer som det skal. Feil installasjon kan medføre funksjonsfeil, slitasje eller lukt og vil gjøre garantien ugyldig. Les hvert enkelt kapittel grundig før du begynner å installere toalettet. Forsikre deg om at arbeidet utføres av fagfolk i samsvar med lokale forskrifter.



ADVARSEL!

Cinderella Comfort-toalettet må ha et eget avtrekksrør, og det er ikke tillatt å installere ventilasjon til toalettet ved bruk av følgende:

- vindvifte eller lignende som erstatning for avtrekkshette
- Ikke bruk fleksible kanaler eller rør når du installerer Cinderella-toalettet.
- rør med mindre enn 102 mm i indre diameter.
- Bruk aldri 90° bend i tillegg til 87° bendet.
- Bruk aldri netting i ventilasjonsrøret, det vil begrense luftstrømmen i systemet.



ADVARSEL!

- Overhold gjeldende tekniske og administrative forskrifter i landet der produktet installeres. Vi anbefaler at du kontakter den lokale forhandleren for å få hjelp til planlegging og installering av Cinderella-toalettet ditt.
- Hvis røret føres gjennom taket, må du sørge for at det gjøres i samsvar med byggeforskriftene.

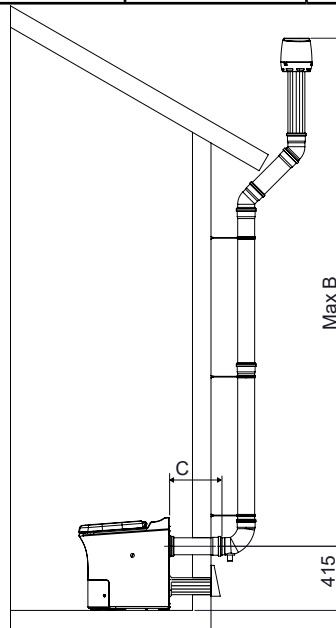
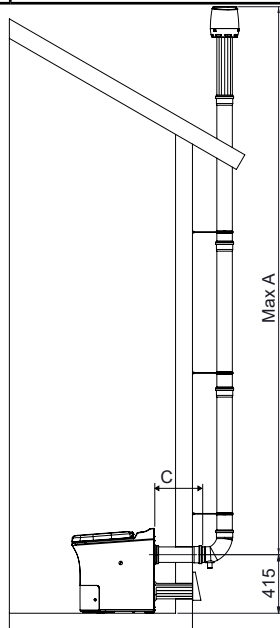
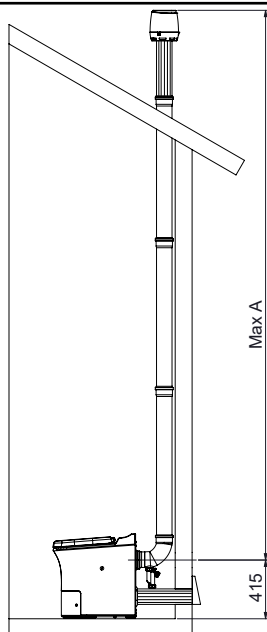


ADVARSEL!

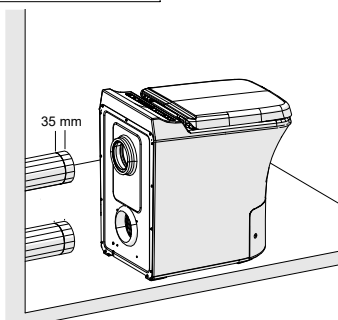
Før du skjærer hull, kontroller alltid at du ikke risikerer å skade elektriske ledninger eller vannrør.

2.4.3 INSTALLASJON AV AVTREKKSØR

DIAMETER AVTREKKSØR	AVTREKKSRETNING	REFERANSE	BEND	MAKSIMAL RØRLENGDE
110 mm	Vannrett avtrekksrør	C	(Ikke tillatt)	1000 mm
110 mm	Loddrett avtrekksrør	A	Ingen	6000 mm
110 mm	Loddrett avtrekksrør	B	2 × 45° bend	5000 mm



OBS!
Senteret av avtrekkskoblingen på toalettet er 415 mm fra gulvet.



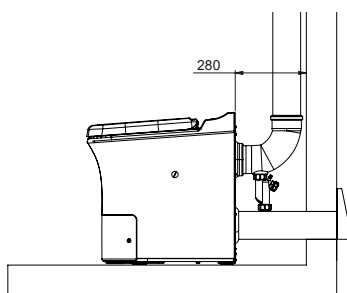
OBS!

Når du justerer rørlengden, må du være oppmerksom på at røret skal gå 35 mm inn i avtrekkskoblingen på toalettet, og ta hensyn til dette i planleggingen av installasjonen.



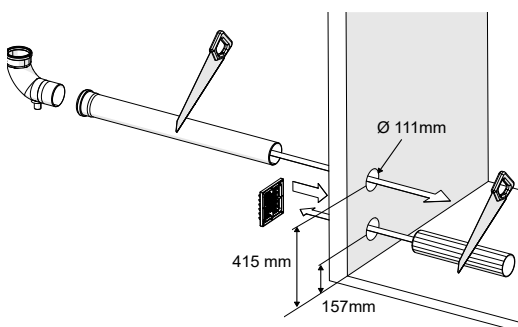
OBS!

Vær oppmerksom på at minimumsavstanden fra veggen må være 280 mm, hvis du installerer røret loddrett rett opp fra toalettet.



OBS!

Det originale Cinderella-installasjonssettet inneholder seks 1015 mm rør til bruk i avtrekksinstallasjonen. Rørene leveres med rørmuffe og pakning for enkel montering. Når du installerer røret på ytterveggen, må du føre inn røret fra utsiden av veggen.

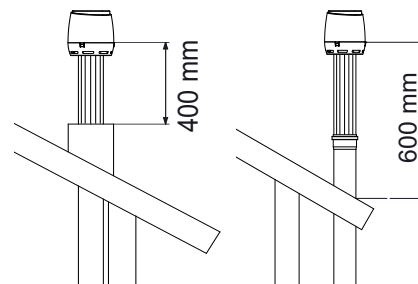


NOTE!

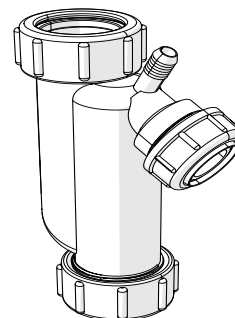
Apparatets avtrekkskobling er designet for tilkobling av 110 mm PP-rør med en indre diameter på minimum 102 mm. Røret skal gå 35 mm inn i toalettets avtrekkskobling. Ikke bruk for mye kraft når du kobler til røret, det kan skade apparatet.

**OBS!**

- Røret skal alltid monteres loddrett over taket og strekke seg minst 600 mm over overflaten på taket. Hvis avtrekksrøret skal bygges inn (f.eks. i metallkledning), må du sørge for at enden av røret strekker seg minst 400 mm over kledningen.
- Hvis røret blir installert der det sannsynligvis vil samle seg snø, kan det være nødvendig å forlenge røret ytterligere og sikre det tilsvarende.

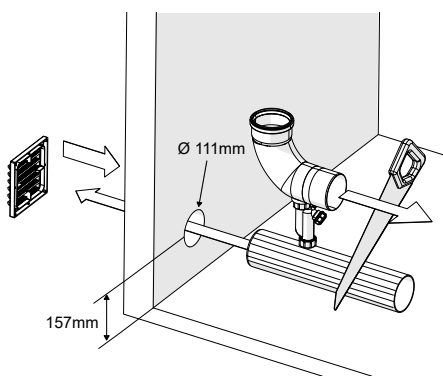
**OBS!**

Cinderella leverer en spesialkonstruert «vannlås» som passer på bendet som følger med i installasjonssettet, og som kan kjøpes som tilbehør hos alle Cinderella-forhandlere. Hvis installasjonen gjøres fra innsiden, må du koble vannlåsen til bendet for å hindre at kondens og regnvann renner ned på gulvet. Manglende oppsamling og tømning av kondensvann kan føre til skade på gulvet.

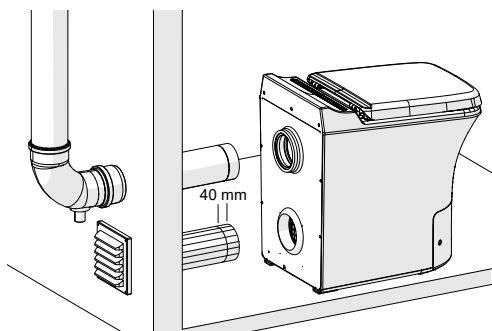
**2.4.4 INSTALLASJON AV DET VANNRETTE INNTAKSRØRET**

Det er viktig å sørge for at toalettet har tilstrekkelig tilførsel av frisk luft, og vi anbefaler derfor alltid å installere Cinderella Comfort med anvist inntakslufttilkobling. Tilførsel av frisk uteluft inn i toalettet er avgjørende for kjøling, sirkulasjon og oksygentilførsel til forbrenningsprosessen. Hvis toalettet har begrenset tilgang på luft/oksygen, vil det oppstå dårlig forbrenning, redusert effektivitet og muligens overoppheting. Dårlig forbrenning over tid vil slite på produktet og gjøre garantien ugyldig.

YTRE DIAMETER INNTAKSRØR	HØYDE, MIDTEN AV INNTAKSRØR	INNTAKS-RETNING	MAKSIMUM RØRLENGDE
110 mm	155 mm	Vannrett	1000 mm

**OBS!**

Senteret av inntaksluftkoblingen er 155 mm fra gulvet.

**OBS!**

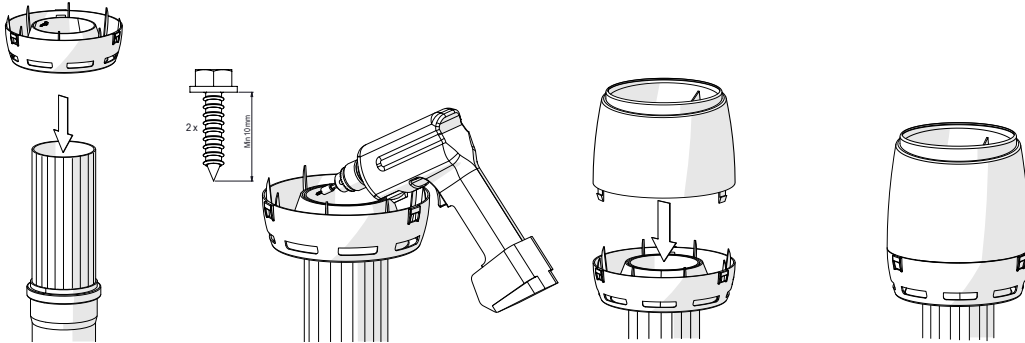
Kapp et av rørene til ønsket lengde for innluften. Bruk siden av røret uten krage. Vær oppmerksom på at røret skal gå 40 mm inn i inntakskoblingen på toalettet.

2.4.5 INSTALLASJON AV DEN ORIGINALE CINDERELLA-AVTREKKSHETTEN



OBS!

Cinderella originalt installasjonssett inneholder en avtrekkshette som er konstruert for optimal flyt og økt produkteffektivitet. Hetten består av to deler, og den nedre delen kan festes til avtrekksrøret med rustfrie skruer eller lim for enkel tilkobling og demontering ved vedlikehold av røret. Bruk det avkappede røret fra innluften, uten krage, som siste delen av rørene når du installerer avtrekkshetten.



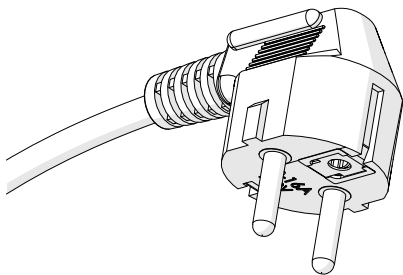
2.5 ELEKTRISKE SPESIFIKASJONER OG KRAV



ADVARSEL!

- Dette produktet må installeres i samsvar med nasjonale og lokale elforskrifter.
- Det må tilføres riktig spenning, frekvens og strømstyrke fra en egen, jordet krets som er beskyttet av en riktig dimensjonert automatsikring.
- Riktig spenning, frekvens og strømstyrke fremgår av denne håndboken og typeskiltet på baksiden av toalettet.

Strømkrav	TILFØRT EFFEKT	STRØMSTYRKE	SIKRING
	220–240 VAC	9 A	10 A
Strømforbruk	HVILEMODUS		FORBRENNINGSMODUS
	0,5 W		2000 W
Tilkoblingspolaritet	KABELTVERRSNITT	KABELLENGDE	TYPE STØPSEL
	1,5 mm ²	2,3 m	Type F Schuko CEE 7



OBS!

Toalettet leveres med et 16 A, 250 V topolet støpsel Type F Schuko CEE 7/7 med jording. For å kunne forsyne toalettet med tilstrekkelig strøm må den ha en egen jordet krets med minst 10 A tilgjengelig strøm ved 230 VAC.



FARE!

- Tilkoblingskabelen skal legges slik at den ikke kommer i kontakt med skarpe kanter.
- Endringer av den innvendige elektriske installasjonen eller tilkoblingskabelen må utføres av en faglært elektriker eller tilsvarende kvalifisert person for å unngå sikkerhetsrisiko.
- Det anbefales ikke å bruke vekselrettere med Cinderella-toaletter. Cinderella Comfort har et maksimalt strømforbruk på 2000 W, som kan strekke seg over perioder som overstiger en time om gangen. En vekselretter med et «toppforbruk» på 2000 W kan være ute av stand til å opprettholde denne effekten og bli overbelastet, skadet eller utrygg hvis den brukes med Cinderella Comfort.

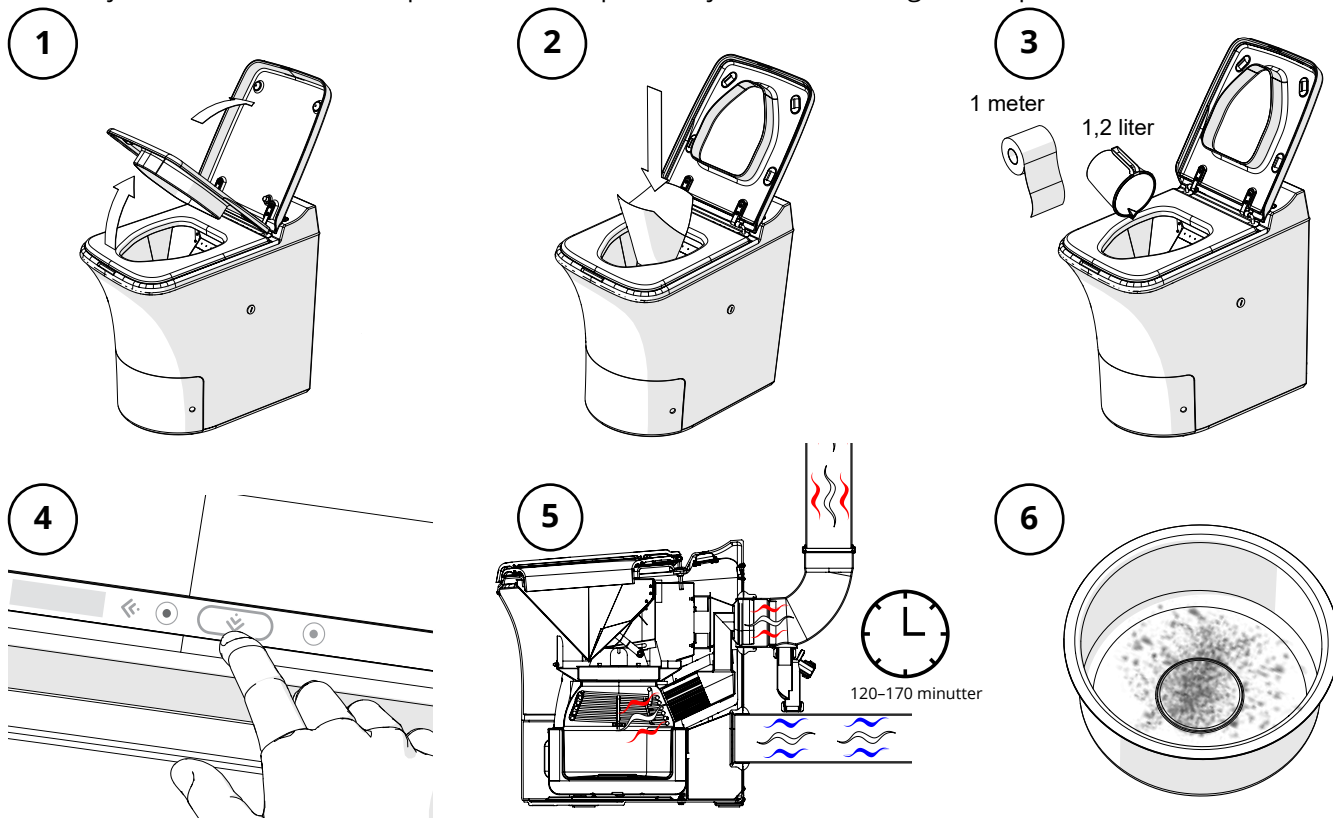
2.6 SJEKKLISTE FOR Å VERIFISERE KOMPLETT INSTALLASJON

SJEKKPUNKT	OK
Den tilkoblede spenningen er i samsvar med produktets typeskilt.	
Avtrekkørørlengden er installert i henhold til produsentens spesifikasjoner.	
Toppen av avtrekkørøret er ikke mindre enn 600 mm over overflaten på taket.	
En «vannlås» med trygg avtapping er installert der det er sannsynlig at det kan dannes kondens.	
Avtrekkørør materialet er installert i henhold til produsentens spesifikasjoner.	
Avtrekkshetten er installert i henhold til produsentens spesifikasjoner.	

2.7 YTELSESTEST FOR Å VERIFISERE SYSTEMETS FUNKSJON

Når «startknappen» trykkes inn, blir forbrenningssyklusen aktivert. Estimert forbrenningstid for verifiseringstesten er 120 til 170 minutter. Den gule lampen lyser mens forbrenningen pågår, og hele testen skal gjennomføres uten feilindikasjoner eller systemavbrudd. Toalettet må kjøles ned til viften har stanset før askebeholderen kan tas ut. Avkjølingsfasen kan ta fra 60 til 90 minutter, avhengig av omgivelsestemperatur.

Sluttproduktet skal være bare fint, hvitt støv. Et sluttprodukt som avviker fra dette, eller en forbrenningstid på over 90 minutter, kan indikere en delvis blokkering av avtrekkskanalen eller mangel på oksygen. Kontroller at installasjonen er i samsvar med produsentens spesifikasjoner, som fremgår av kapittel 2 i denne håndboken.



ADVARSEL!

Askebeholderen blir veldig varm under forbrenning. Ikke ta ut askebeholderen før toalettet er helt avkjølt og viften har stanset.



OBS!

Ytelsetesten er utarbeidet for å utføres på toaletter som ikke har vært i bruk. Resultatene kan variere når testen utføres på brukte toaletter.

3. BRUK

3.1 BRUKSOMRÅDE OG HÅNTERING

Cinderella Comfort-toalettet er beregnet på innendørs montering og bruk i fritidshjem som hytter og fritidsboliger samt i uthus, naust, bassenghus og sanitærfasiliteter, for eksempel på byggeplasser. Toalettet er utelukkende konstruert for å forbrenne kroppslige avfallsprodukter og små sanitærartikler som tamponger, bind og alkoholfrie våtservietter. Bruk av Cinderella Comfort til å brenne andre gjenstander anses som feil bruk og vil gjøre garantien ugyldig. **Ikke kast følgende gjenstander i toalettet:**

- for store mengder papir av noe slag
- klorbaserte rengjøringsmidler
- alkoholholdige våtservietter
- aviser
- papirhåndklær
- brannfarlige væsker/materialer
- lightere
- sigaretter eller sigarer
- bensin
- alkoholholdige drikker eller brennevin
- alkohol eller håndsprit
- neglelakkfjerner
- lighterbensin
- lampeolje/parafin
- spraybokser
- flasker eller andre beholdere av plast eller glass

3.2 GENERELL SIKKERHET



FARE!

- Ikke bruk forbrenningstoalettet hvis det er synlig skadet.
- Hvis tilkoblingskabelen til toalettet er skadet, skal den skiftes ut av produsenten, kundeservice eller en tilsvarende kvalifisert person for å unngå sikkerhetsrisiko.
- Dette forbrenningstoalettet skal bare repareres av kvalifisert personell. Uautoriserte reparasjoner kan medføre betydelig fare eller skade på toalettet.
- Rengjøring og brukervedlikehold skal ikke utføres av barn uten tilsyn.
- Ikke bruk eksplosive stoffer eller brennbare rengjøringsmidler ved vedlikehold av toalettet.



FORSIKTIG!

- Toalettet er utelukkende konstruert for å forbrenne kroppslige avfallsprodukter og små sanitærartikler som tamponger, bind og alkoholfrie våtservietter.
- Små barn skal ikke bruke Cinderella forbrenningstoaletter uten tilsyn.

3.3 SIKKER DRIFT



ADVARSEL!

- Askebeholderen i toalettet blir veldig varm når toalettet er i bruk. Forsikre deg om at sikkerhetsdekselet er på plass mens toalettet er i bruk. Ikke tøm askebeholderen før toalettet er helt avkjølt.
- Setet har ingen myk lukkefunksjon, så pass på at hender og fingre ikke kommer i klem når setet eller lokket lukkes.



FORSIKTIG!

Fare for dårlig forbrenning eller overoppheting!

- Legg alltid en ny papirpose i toalettskålen når du bruker toalettet.
- Sørg alltid for tilstrekkelig ventilasjon slik at varmen som genereres ved bruk kan slippe ut.

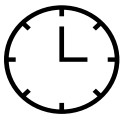
3.4 SIKKERHETSFUNKSJONER PÅ CINDERELLA COMFORT

- Forbrenningsprosessen er deaktivert når toalettlokket er åpent. Forbrenningen starter ikke før setet og lokket lukkes.
- Luken til forbrenningskammeret KAN IKKE stå åpen mens toalettet fortsatt er varmt (f.eks. under rengjøring). Dette er bare mulig når toalettet er avkjølt og viften har stanset.
- Hvis det oppstår et ventilasjonsproblem og den innvendige temperaturen i toalettet øker til over 105 °C, blir forbrenningen avbrutt, og det vises en feilmelding og en feilkode. I slike tilfeller må systemet tilbakestilles manuelt for å sikre at ventilasjonsproblemet er løst før toalettet kan brukes igjen.
- Hvis askebeholderen blir plassert feil etter tømming, starter ikke forbrenningen, og det vises en feilmelding.
- Hvis forbrenningskammerets lukemekanisme kiler seg fast eller forhindres i å lukke seg ordentlig, vises det en feilmelding, og forbrenningen starter ikke.
- Den smarte programvaren til Cinderella-forbrenningstoalettet overvåker temperaturen mens forbrenningen pågår. Dersom det registreres avvik fra det normale temperaturområdet, stanser forbrenningen umiddelbart, og det vises en feilmelding.



OBS!

- Husk alltid å plassere en ny papirpose i toalettskålen før bruk – én papirpose per besøk.
- Toalettlokket skal alltid være lukket når toalettet ikke er i bruk. Forbrenningen vil ikke starte eller fortsette før lokket er lukket.
- Forbrenningszyklusen kan ta opptil 180 minutter fra det siste besøket.
- Viften fortsetter å gå til forbrenningen er fullført, og den innvendige temperaturen i toalettet er tilbake i normalområdet. Avkjølingsfasen kan overstige 120 minutter etter at forbrenningen er fullført, avhengig av temperaturen på kjøleluften.
- Cinderella-toalettet kan brukes når som helst under forbrennings- og kjøleprosessene. Forbrenningen avbrytes under bruk. Husk å lukke lokket og trykke på «startknappen» etter hvert besøk.



1 time

Kapasitet: fire gangers bruk i timen

Cinderella Comfort-toalettet er designet for å håndtere opptil fire besøk i timen. Hyppigere besøk frarådes for å unngå overbelastning. Overbelastning av toalettet med mange besøk i løpet av kort tid, uten å fullføre en forbrenningszyklus, kan føre til lukt og lekkasje, og kan skade toalettet.



Tøm

Tømmehyppighet

Systemets avfallsbeholder har en væskekapasitet på fem liter. Askebeholderen bør tømmes ofte (én gang i uken) for best mulig funksjon. Dette sikrer en mer effektiv forbrenning og bidrar til å holde katalysatoren renere.

Hvis askebeholderen ikke har blitt tatt ut (ved ukentlige tømmerutiner), viser Cinderella Comfort en melding om å tømme beholderen etter 90 forbrenningszykluser. Hvis toalettet ikke tømmes etter 120 besøk, låser det seg for ytterligere besøk. Vi anbefaler å tømme toalettet så ofte som mulig, for å sikre en mer effektiv forbrenning og mindre slitasje på produktet.

Hvis du ikke tømmer askebeholderen når den er full, kan det føre til skade på toalettet og gjøre garantien ugyldig.



Lengre periode

Klargjøring av toalettet for en lengre periode uten bruk

Ved lengre perioder uten bruk, eller ved fare for lynnedslag, bør støpselet kobles fra stikkontakten for å beskytte toalettet mot skade. NB! Avfallet må forbrennes, og den gule lampen må være slukket, før støpselet kobles fra. Uforbrent avfall som blir liggende i toalettet over tid, kan forårsake betydelig skade. Toalettet skal oppbevares tørt. For å redusere ytre påvirkninger i form av temperatursvingninger og fuktighet kan det være klokt å koble toalettet fra rørene før lengre perioder uten bruk. Husk å installere toalettet på nytt før bruk.

Korte perioder med økt bruk

Følg disse rådene i situasjoner der et uvanlig høyt antall gjester kommer til å bruke toalettet i løpet av en kort periode:



Maks 4 besøk

1. Tøm askebeholderen fullstendig før gjestene ankommer.
2. Forvarm toalettet før bruk ved å åpne og lukke lokket og deretter trykke på «startknappen».
3. Forsikre deg om at gjestene blir instruert om å bruke en papirpose og trykke på «startknappen» etter hvert besøk.
4. Sjekk regelmessig for å forsikre deg om at toalettlokket er lukket, og at den gule forbrenningslampen fortsatt lyser.
5. Det kan hende du må kjøre en ekstra forbrenningszyklus eller to før du tømmer askebeholderen, for å sikre at avfallet er fullstendig forbrent.
6. Hvis den økte bruken varer over flere dager, må askeskuffen tømmes ofte, rundt annenhver dag.

3.6 BETJENINGSPANELET

Betjeningspanelet er utstyrt med lys- og lydsignaler samt displaymeldinger som gir en best mulig brukeropplevelse. Det finnes en rekke kombinasjoner av lys- og lydsignaler som forteller brukeren om statusen til systemet. Det er viktig at alle brukere setter seg grundig inn i disse signalene før bruk. Du finner en oversikt over alle lys- og lydsignalene i feilsøkingstabellen i avsnitt 5.1.



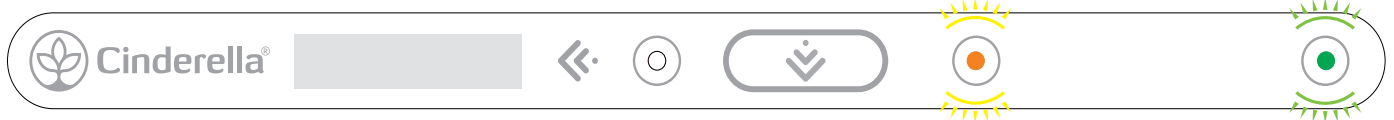
OBS!

- En grønn lampe indikerer at toalettet er koblet til strømforsyningen. Når bare den grønne lampen lyser, er toalettet i hvilemodus og klart til bruk.
- En gul lampe indikerer at det pågår en forbrenningsprosess, og lyser konstant så lenge toalettet er i forbrenningsmodus.
- En rød lampe indikerer avbrudd og varsler brukeren om at toalettet verken forbrenner avfall eller er i hvilemodus.

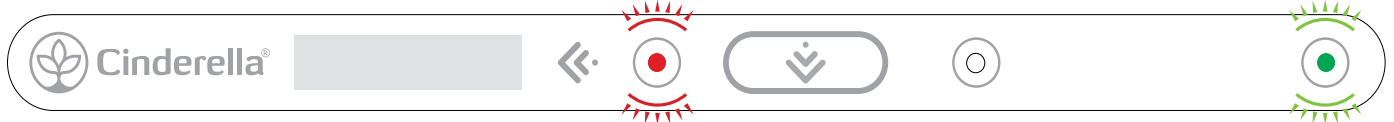
Hvilemodus



Forbrenningsmodus



Systemavbrudd

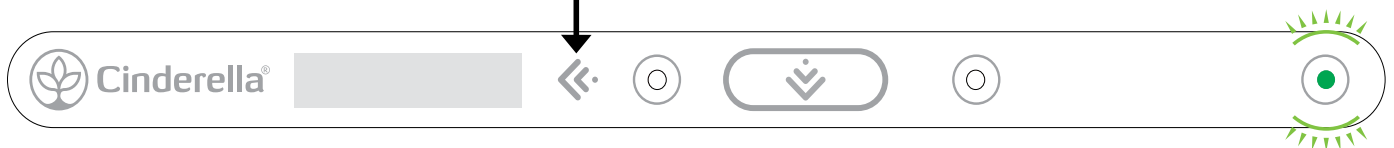


Velge språk

Hold «språkvalgknappen» inne i tre sekunder til ordet «Language» vises på den første tekstlinjen.

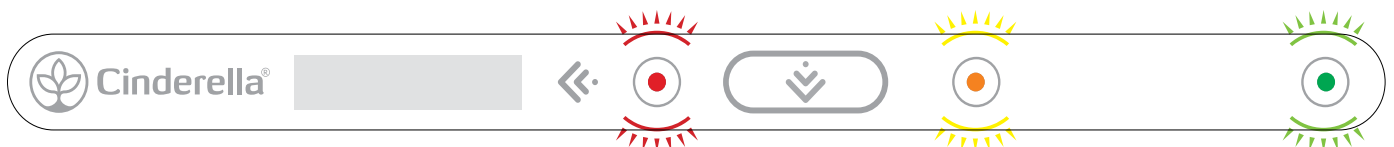
Gjeldende språk vises på den andre linjen. Trykk på «språkvalgknappen» gjentatte ganger til det ønskede språket vises. Det nye språket lagres automatisk et par sekunder etter at du har valgt det, og toalettet gjenopptar driften.

Språkvalgknapp



Tømmeindikator

Cinderella toalettet sier fra når det er på tide å tømme askebeholderen. Displayet viser ordene «TØM ASKESKUFFEN», og du hører tre korte pip når toalettlokket åpnes. Hvis beholderen ikke tømmes innen kort tid, vil toalettet låse seg. Da lyser de gule og røde lampene konstant, og displayet viser teksten «TOALETT SPERRET ASKESKUFF FULL». Du hører tre korte pip hvert tiende sekund til askebeholderen er tømt.



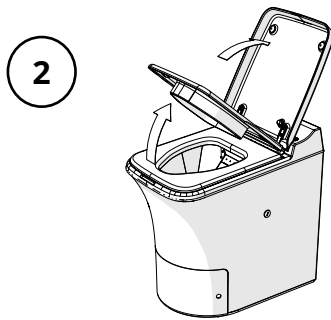
OBS!

Askeskuffen er vanligvis bare halvfull når varselet om å tømme kommer, men vi anbefaler likevel å tømme den, da dette kan forbedre forbrenningseffekten.

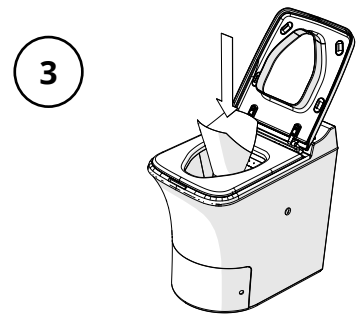
3.7 BRUK AV CINDERELLA COMFORT-TOALETET



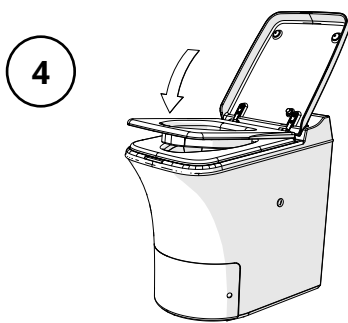
1. Kontroller at den grønne lampen på betjeningspanelet lyser for å indikere at toalettet har strømtilførsel og er klart til bruk.



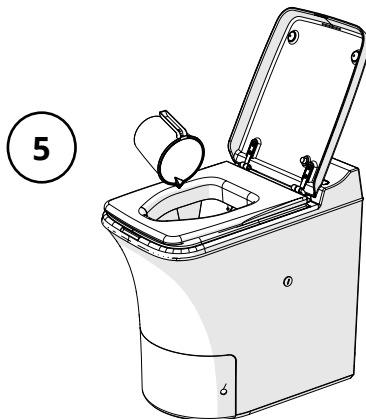
2. Løft toalettlokket og setet. En rød lampe begynner å blinke. Ventilasjonsviften starter.



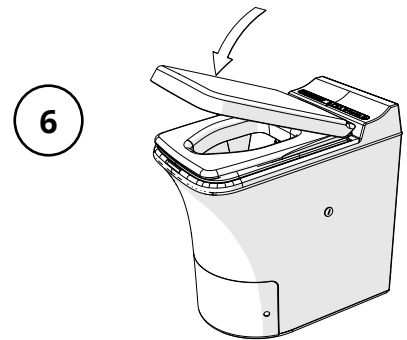
3. Plasser en papirpose i skålen. Bruk en ny papirpose for hvert besøk.



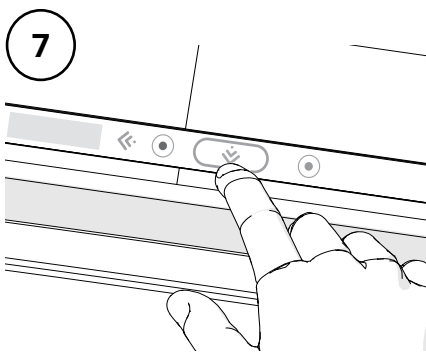
4. Senk setet. Toalettet er klart til bruk.



5. Bruk toalettet som vanlig. Hvis det produseres lite avfall, kan det være nyttig å helle litt vann i skålen for å øke vekten.



6. Lukk toalettlokket.



7. Trykk på «startknappen» for å slippe papirposen og innholdet ned i forbrenningskammeret. Forbrenningen starter så snart luken lukkes. Nå er toalettet klart til neste bruker.



8. Under forbrenning lyser en gul lampe konstant. Toalettet kan brukes når som helst, men ved bruk avbrytes forbrenningen midlertidig. Forbrenningstiden kan variere etter antall besøk og mengde avfall.

3.8 BETJENING AV FRONTDEKSELET OG ASKEBEHOLDEREN



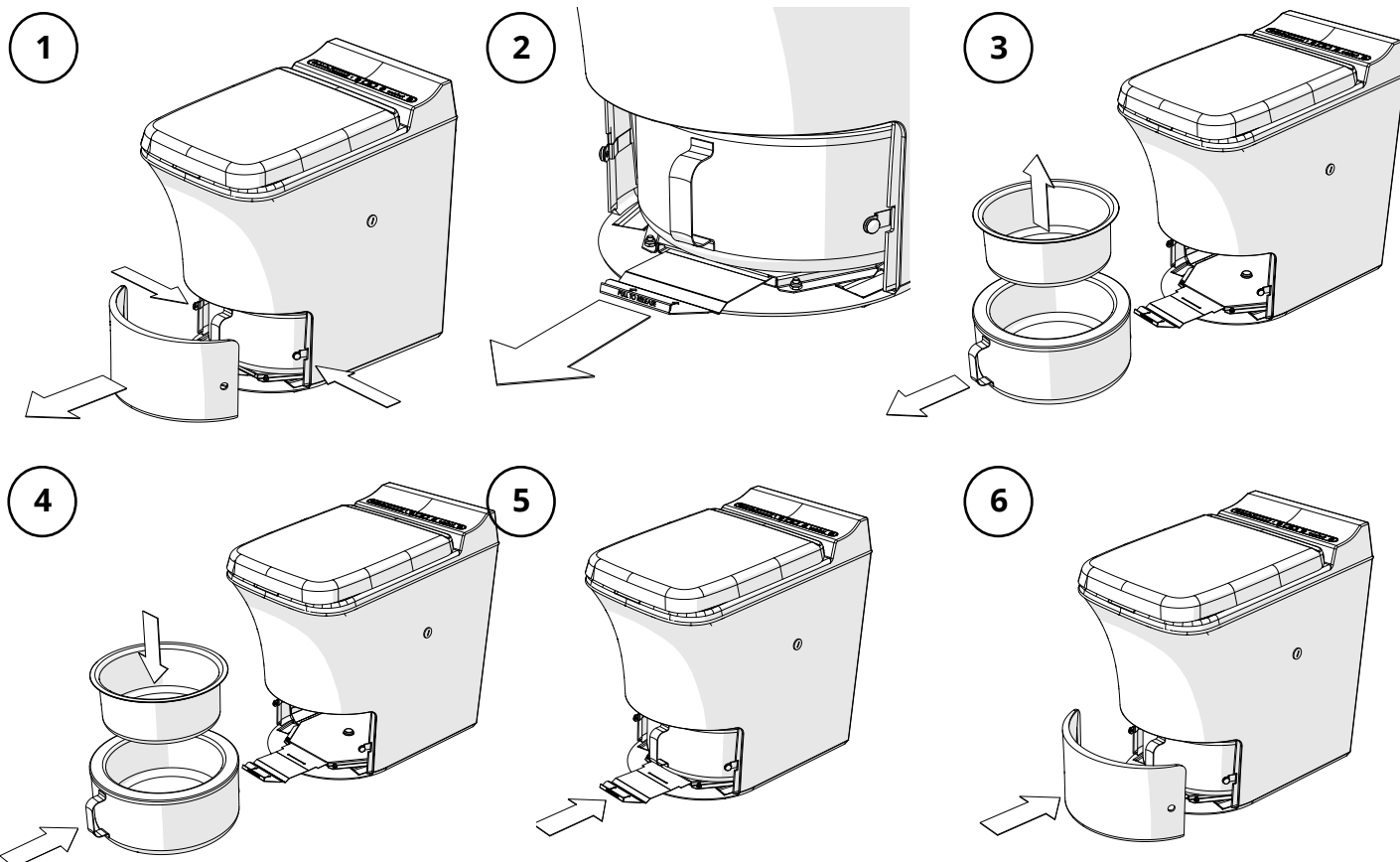
ADVARSEL!

Hånder askebeholderen bare når toalettet er i hvilemodus og tilstrekkelig avkjølt.

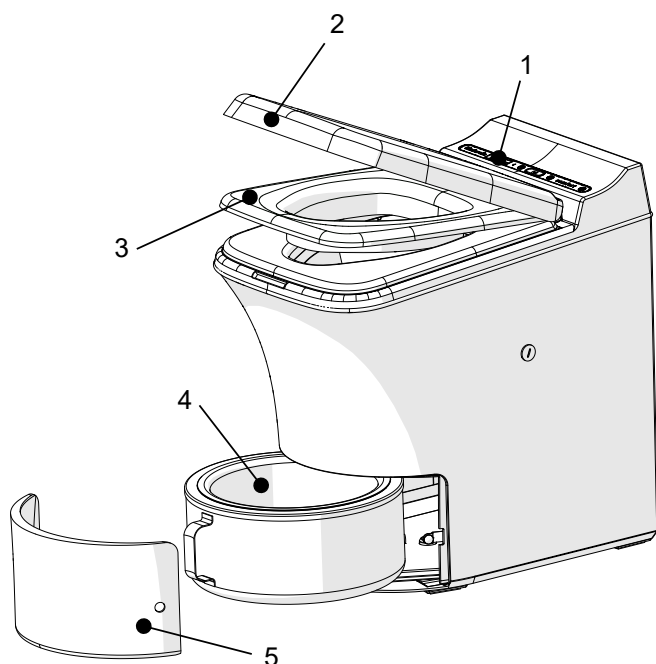


OBS!

Se kapittelet om vedlikehold for instruksjoner om rengjøring og tømning av askebeholderen.



3.9 APPARATETS BESTANDDELER



ID	DELEBESKRIVELSE
1	Betjeningspanel med display
2	Lokk
3	Sete
4	Innsats til askeskuff
5	Frontdeksel
6	Askeskuff
7	Temperatursensor

4. GENERELLE VEDLIKEHOLDSINSTRUKSER

Denne håndboken dekker både brukervedlikehold og vedlikehold som skal utføres av fagfolk med nødvendig ekspertise og godkjenninger.

Et velfungerende luftsirkulasjonssystem er avgjørende for at toalettet skal fungere riktig. Partikler som oppstår under forbrenningsprosessen, kan tette katalysatoren og utløpsrøret over tid. Det er viktig å vedlikeholde disse elementene regelmessig for å sikre riktig funksjon.

For å sikre optimal drift og forlenge levetiden til Cinderella Comfort-toalettet må du sette av litt tid til forebyggende vedlikehold. Gode vedlikeholdsrutiner gir lavere driftskostnader og mindre slitasje på produktet. Vi anbefaler på det sterkeste å utføre regelmessig vedlikehold som følger:

1. Tøm toalettet ofte. Ikke baser bruken på maksimumsgrensen for produktet.
2. Rengjør alltid askebeholderen og innsatsen etter tømming (se avsnitt 4.2.1).
3. Rengjør alltid med damp mellom hver eske med papirposer (500 ganger), helst etter hver tømming og vask av askebeholderen (se avsnitt 4.2.2).
4. Vær alltid oppmerksom på forbrenningsrestenes egenskaper når du tømmer toalettet. Avvikende egenskaper kan tyde på behov for vedlikehold eller service (se avsnitt 4.1).

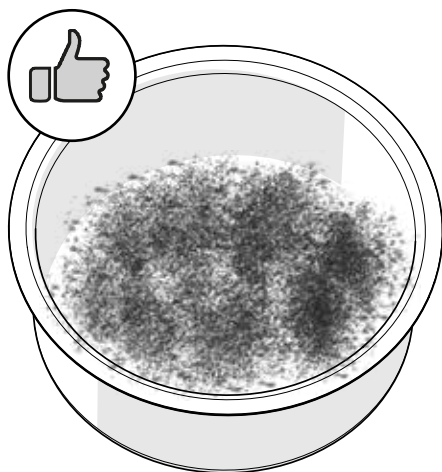


ADVARSEL!

Forsikre deg alltid om at toalettet er tilstrekkelig avkjølt og ikke i forbrenningsmodus, før du utfører vedlikehold.

4.1 FORBRENNINGSRESTENES EGENSKAPER

Restavfallet (asken) består av biologiske rester, salter og mineraler, og vil derfor ofte fremstå som hardt og krystallisert. Det skal ikke være synlige rester av papir eller flak med uforbrent avfall. Asken skal være en kombinasjon av hvit og mørkegrå. Hvis det er større forekomster av uforbrent svart avfall, fuktighet eller papir ved tømming av toalettet, skal du starte en ny forbrenning uten å ha i papir eller vann. Når forbrenningen er fullført, tømmer du askebeholderen og utfører vedlikeholdsprosedyrene som angitt i denne håndboken.

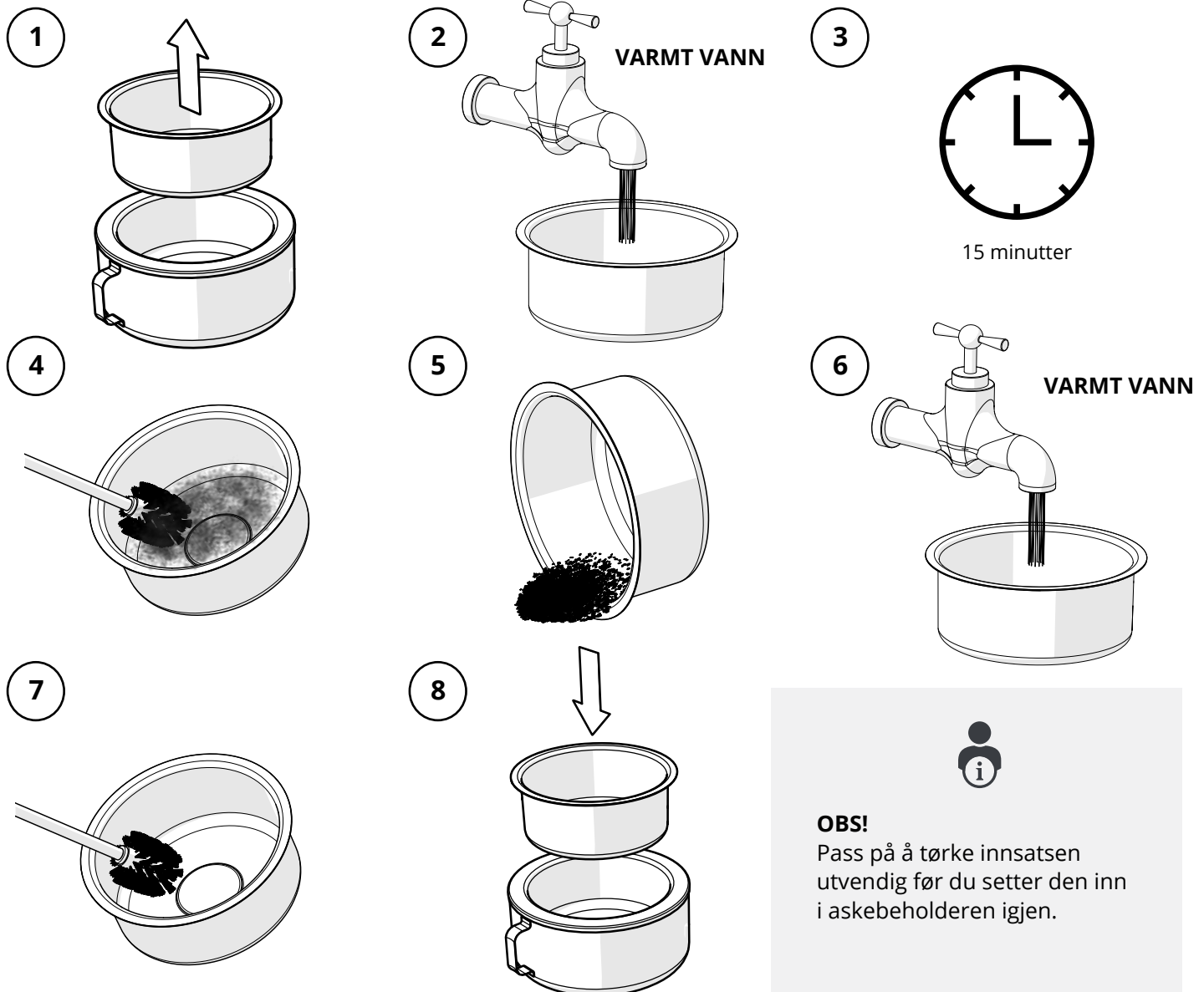


OBS!

Askerestene er sterile og inneholder ikke bakterier eller smittestoffer. Askerester anbefales sortert som restavfall. Vær oppmerksom på at restriksjoner kan gjelde i enkelte land, så gjør deg kjent med og følg regelverket i det landet du befinner deg i.

4.2 VEDLIKEHOLD

4.2.1 TØMMING OG RENGJØRING AV ASKEBEHOLDEREN



ADVARSEL!

Ikke bruk skarpe redskaper eller gjenstander når du rengjør askebeholderinnsatsen. Det vil skade innsatsen og redusere levetiden dens.



OBS!

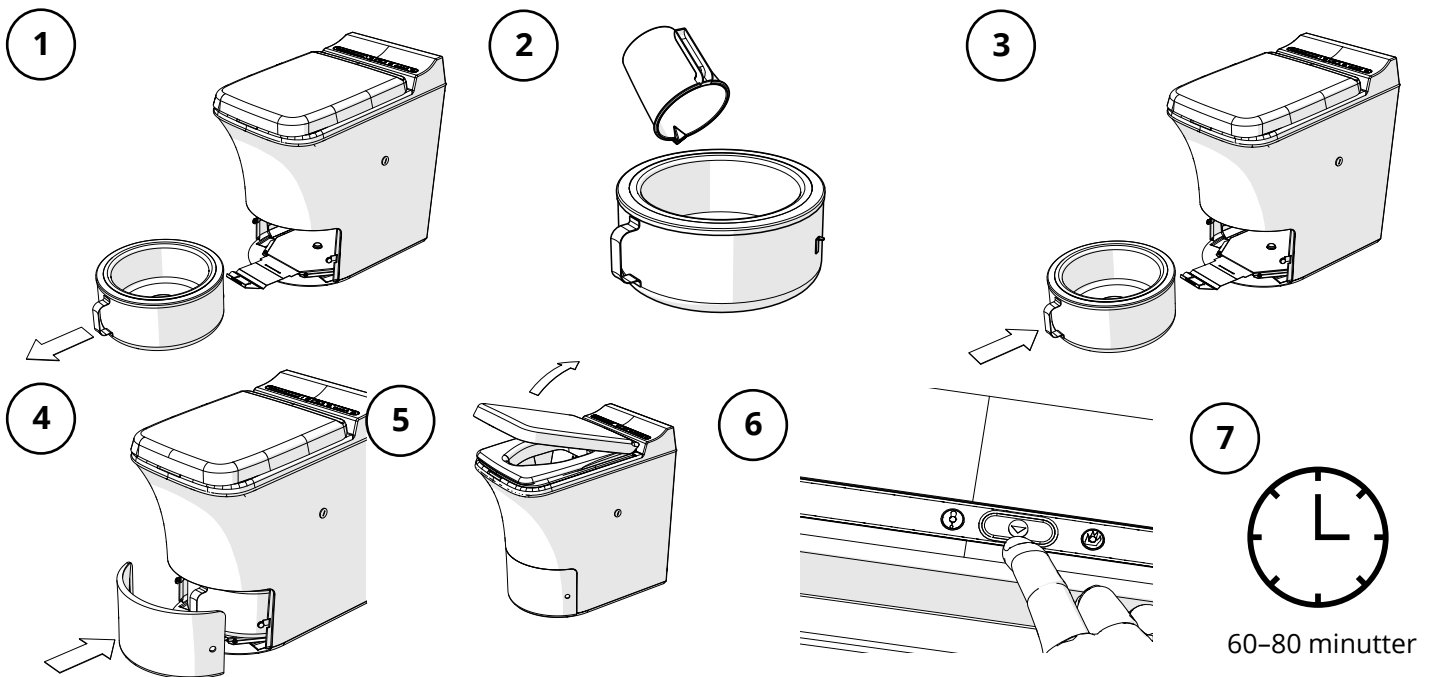
- For at toalettet skal fortsette å fungere best mulig, anbefaler vi å rengjøre med damp som beskrevet i avsnitt 4.2.2, hver gang du tømmer og vasker innsatsen. Det forhindrer avsetning av tjære og andre uønskede avleiringer i katalysatoren og toalettets utløpssystem.
- Forsikre deg om at toalettet er tilkoblet nettstrøm ved tømming. Uten strømtilførsel kan ikke systemet tilbakestille brukstilleren etter tømming.
- Det er bedre å tømme askebeholderen ofte for å opprettholde god forbrenningseffekt.

4.2.2 DAMPRENGJØRING AV KATALYSATOREN

Anbefalt hyppighet: ved tømming av askebeholderen eller senest etter 500 gangers bruk.

1. Forsikre deg om at toalettet er kaldt, og at askebeholderen er tømt og rengjort (se avsnitt 4.2.1).
2. Ta av frontdekselet og frigjør askebeholderen.
3. Hell cirka én liter rent vann i toalettinnsatsen.

4. Sett inn askebeholderen forsiktig uten å søle vann og sett frontdekselet på plass.
5. Løft lokket og kontroller at viften begynner å rotere.
6. Trykk på «startknappen» for å starte en forbrenningssyklus.
7. Vannet begynner å koke, og dampen vasker bort eventuelt rusk i katalysatoren. Denne systemrengjøringen tar normalt 60 til 80 minutter.



OBS!

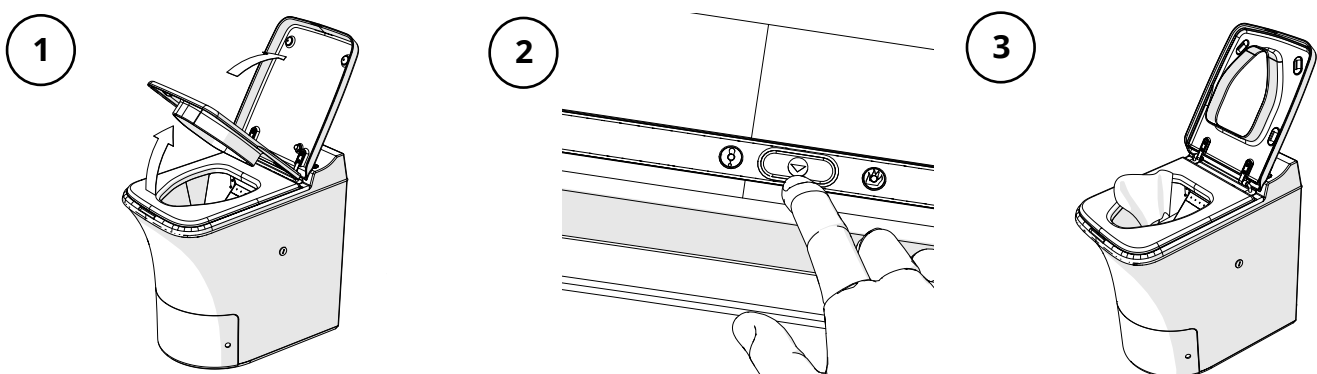
Ikke bruk toalettet under vedlikehold, det vil redusere rengjøringens funksjon. Toalettet kan brukes når toalettet går tilbake til hvilemodus igjen.

4.2.3 RENGJØRING AV SKÅLEN

Anbefalt hyppighet: ved behov av hensyn til renslighet og ved tømning av askebeholderen.

Slik rengjør du skålen:

1. Åpne toalettlokket.
2. Trykk på «startknappen» og hold den inne i tre sekunder for å åpne luken til vaskeposisjon.
3. Bruk fuktig papir, vann og et mildt rengjøringsmiddel etter behov. Lukk lokket og start forbrenningen.



FARE!

- Ikke bruk brennbare rengjøringsmidler til å rengjøre skålen.
- Noen metallkanter kan være skarpe.
- Toalettet må være avkjølt og i hvilemodus før du rengjør skålen.



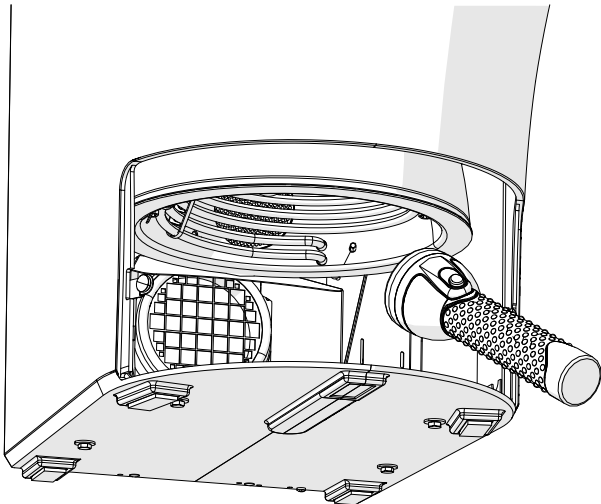
ADVARSEL!

Ikke bruk klorbaserte rengjøringsmidler til å rengjøre skålen. Klor er svært skadelig for katalysatoren, og hvis det has i toalettet, kan det føre til at katalysatoren slutter å fungere som den skal.

4.2.4 INSPEKSJON AV KATALYSATOREN

Anbefalt hyppighet: etter 500 gangers bruk.

Katalysatoren er den primære luftkanalen mellom forbrenningskammeret og avtrekkskoblingen på toalettet. Eventuelle ansamlinger av partikler i katalysatoren vil redusere strømningshastigheten og toalettets effektivitet, og kan føre til vond lukt. Derfor er det viktig å sørge for at katalysatoren alltid er åpen. Eventuelle endringer i forbrenningstid, forbrenningseffektivitet eller lukt kan skyldes at katalysatoren er tett. Damprengjøring, som beskrevet i avsnitt 4.2.2, er den beste og enkleste måten å rengjøre katalysatoren på. Du kan også inspisere fronten av katalysatoren ved å ta ut askebeholderen og lyse opp forbrenningskammeret fra innsiden. Eventuelle gjenværende partikler eller lukt etter damprengjøring må fjernes ved å skylle katalysatoren med varmt vann som beskrevet i avsnitt 4.2.6.



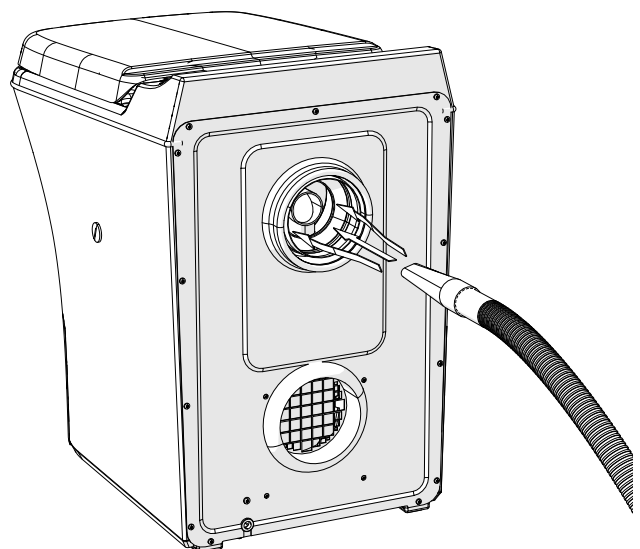
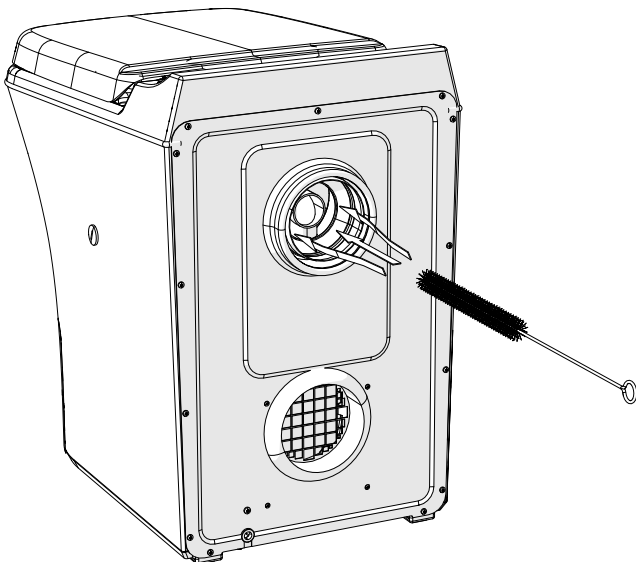
OBS!

Ved tydelige tegn på korrosjon eller deformasjon må katalysatoren byttes. Kontakt den lokale serviceleverandøren for å avtale service.

4.2.5 RENGJØRING AV TOALETETS AVTREKSKOBLING

Anbefalt hyppighet: senest etter 500 gangers bruk.

1. Toalettet må kobles fra avtrekksrøret og strømkilden.
2. Rengjør avtrekkskoblingen med en fleksibel børste. Det er viktig å rengjøre både utløpsrøret og venturirøret helt tilbake til viftebladene for å få tilstrekkelig luftstrøm.
3. Ta ut askebeholderen og fjern eventuelt rusk i beholderen.
4. Bruk en støvsuger til å suge ut gjenværende rusk fra utløpsrøret og katalysatoren.
5. Koble toalettet til avtrekksrøret og strømforsyningen igjen.
6. Installer askebeholderen og frontdekselet.
7. Vi anbefaler at du utfører en damprengjøring som beskrevet i avsnitt 4.2.2, etter at du har vedlikeholdt avtrekkskoblingen.

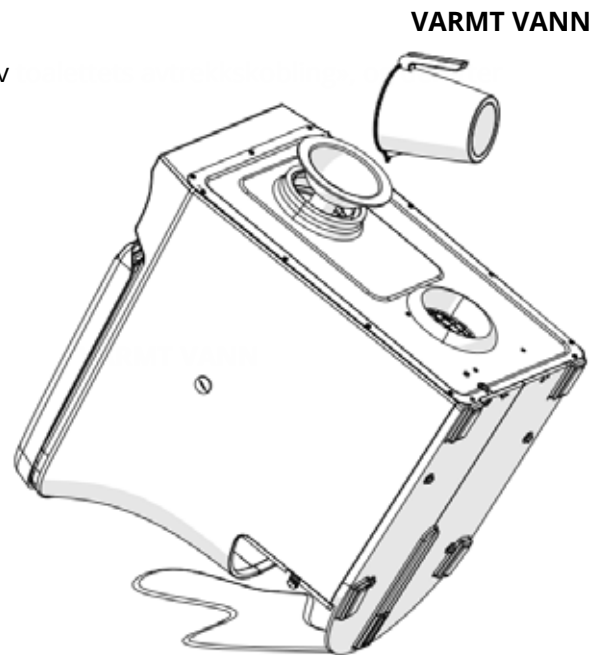


4.2.6 SKYLLING AV KATALYSATOREN MED VARMT VANN

Anbefalt hyppighet: senest etter 500 gangers bruk.

I tilfeller der damprengjøring ikke fjerner partikler eller dårlig lukt, kan det være nødvendig å skylle katalysatoren med vann. Dette medfører tunge løft og må gjøres et sted der vannsøl er uproblematisk. Følg trinn 1 til 7 under avsnitt 4.2.5 «Rengjøring av følgende trinn:

1. Plasser toalettet et sted der det er greit å søle vann, for eksempel i et rom med egnet avløp, ute eller i et badekar. Bruk den spesialkonstruerte Cinderella-trakten eller en trakt som passer i utløpsrøret. Vipp toalettet litt fremover og hell to til tre liter varmt vann gjennom utløpsrøret og katalysatoren. Det overskytende vannet skal være rent ved slutten av skylleprosessen. Bruk om nødvendig mer vann for å rengjøre systemet ordentlig.
2. Gjenta trinn 1 fire til fem ganger til vannet er rent og du ikke finner noen krystaller eller andre hindringer når du inspiserer katalysatoren (se avsnitt 4.2.4).
3. Koble toalettet til avtrekksrøret og strømforsyningen igjen.
4. Installer askebeholderen og frontdekselet.
5. Utfør ytelsestesten som beskrevet i avsnitt 2.8.



OBS!

Inspiser katalysatoren og utfør damprengjøring som beskrevet i avsnitt 4.2.2, før du kobler fra toalettet og skyller systemet med varmt vann. Hvis katalysatoren fortsatt er tett, eller hvis det fremdeles er merkbar lukt ved forbrenning, bør du skylle katalysatoren med varmt vann.



FORSIKTIG!

Det anbefales å være to om denne oppgaven, slik at den ene kan holde toalettet mens den andre skyller katalysatoren.

5. FEILSØKING OG SVAR PÅ VANLIGE SPØRSMÅL



ADVARSEL!

Service skal utføres i samsvar med alle gjeldende nasjonale og lokale forskrifter. Hvis du er usikker på hvilke regler som gjelder, kontakt nærmeste forhandler eller servicerepresentant for mer informasjon. Strømtilførselen skal kobles fra når du utfører service og vedlikehold på toalettet.

Feilsøkningsmodul på nettet

Lyd- og lyssignalene fra toalettets betjeningspanel indikerer toalettets driftsstatus. Nedetid og feil på toalettet blir varslet med ulike lyd- og lyssignaler som beskrevet i avsnitt 5.1 i denne håndboken. Vi har samlet de vanligste feilene/problemene i en feilsøkningsmodul på nettet, så det er lett å få svar på hva som feiler toalettet, og forslag til hvordan du selv kan løse problemet.

Tilbakestille toalettssystemet

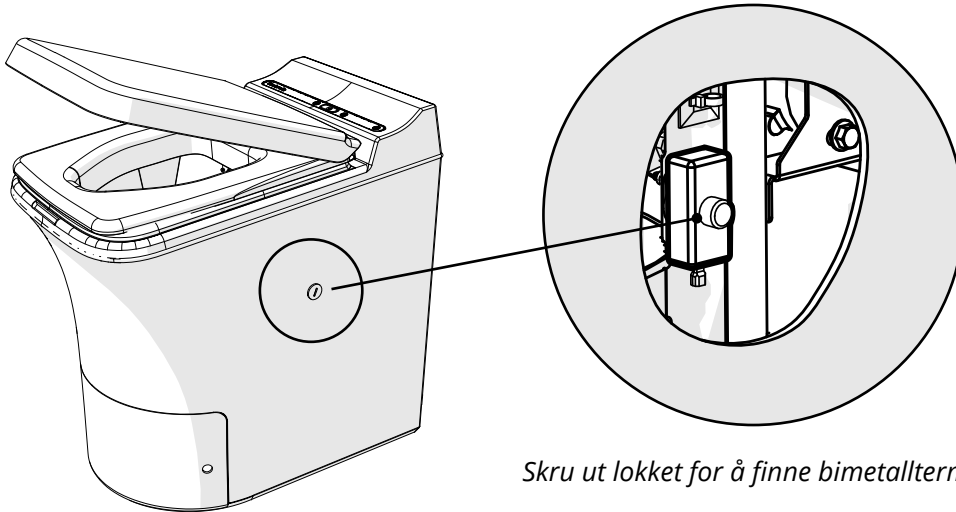
Under rengjøring og feilsøking kan det noen ganger være nyttig å tilbakestille elektronikken. Det gjør du ved å trykke på «startknappen». Da hører du et kort pip. Hold knappen inne i cirka åtte sekunder til du hører et langt pip, og slipp deretter knappen.

Feilmeldinger

Når lampene blinker, må du sjekke årsaken og løse problemet før du bruker toalettet. I tilfelle uregelmessigheter som lukt, dårlig forbrenning eller systemfeil, må du handle umiddelbart for å unngå skade på toalettet og unødvendige reparasjonskostnader.

Utløst bimetalltermostat

Bimetalltermostaten utløses hvis den innvendige temperaturen i toalettet blir for høy. Dette skjer normalt på grunn av manglende luftgjennomstrømming eller delvis blokkering av luftinntaks- eller avtrekksdelen av installasjonen. Derfor er det viktig at du sjekker at luftinntaket er i henhold til spesifikasjonene, og at avtrekkskanalen er åpen og fri for fremmedlegemer. Kontroller katalysatoren visuelt og utfør prosedyren for damprensing som anvist i avsnitt 4.2.2.



Skru ut lokket for å finne bimetalltermostaten.

Ved strømbrudd

Hvis strømmen går under en forbrenningsprosess, kan det midlertidig oppstå lukt fra innsiden av toalettet og røyk og lukt fra avtrekksrøret utenfor. Viften går på batteri til toalettet er avkjølt. Siden forbrenningen ikke gjenopptas automatisk når strømmen kommer tilbake, må du starte en ny forbrenningssyklus manuelt. Dersom strømbruddet forventes å vare i mer enn to timer, må du tømme eventuelt avfall fra toalettet, siden toalettet kan ta skade dersom avfallet blir liggende over lengre tid. Bruk aldri toalettet under strømbrudd.

Lukt i rommet

Lukt kan ha flere årsaker:

1. Det er ikke plassert en ny papirpose i skålen etter at toalettet har vært brukt, eller papirposen er plassert feil.
2. Luftstrømmen kan være blokkert. Kontroller avtrekksrøret og hetten.
3. Kontroller at installasjonen er utført i henhold til håndboken. Begrenset trekk i avtrekksrøret kan forårsake mottrykk og lukt i rommet.
4. Utløpsrøret kan være tilstoppet. Se avsnitt 4.2.5.
5. Katalysatoren kan være tilstoppet. Se avsnitt 4.2.4.
6. Avtrekksrøret er ikke skikkelig festet til toalettet. Se avsnitt 2.4.3.

Lukt utendørs

Årsakene kan være de samme som for lukt inne i rommet, eller:

1. Katalysatoren har ikke nådd driftstemperaturen. Når toalettet er kaldt, kan det ta noen minutter før katalysatoren når den temperaturen der den begynner å fungere ordentlig.
2. Katalysatoren kan være korrodert eller deformert. Kontakt serviceleverandøren.

Spenningsvingninger

Hvis apparatet blir utsatt for spenningsvingninger – for eksempel under tordenvær – blir det automatisk tilbakestillt, og en ny forbrenning må startes manuelt.

5.1 FEILSØKINGSTABELL

FEIL	DISPLAY-MELDING	RØD LAMPE	GUL LAMPE	GRØNN LAMPE	LYD-SIGNAL	TILTAK
Askebeholderen bør tømmes	Tøm askeskuffen	BLINKER VEKSELVIS	BLINKER VEKSELVIS	STABILT PÅ	3 PIP	1 Ta ut og tøm askebeholderen. * Toalettet skal være koblet til strøm.
Askebeholderen må tømmes. Toalettet er låst.	Toalett sperret askeskuff full	STABILT PÅ	STABILT PÅ	STABILT PÅ	3 PIP 10 SEKUNDERS MELLOMROM	1 Ta ut og tøm askebeholderen. * Toalettet skal være koblet til strøm.
Ingen strømtilførsel.	-	AV	AV	AV		1 Kontroller at toalettet er koblet til 230 VAC.
Feil ved ventilasjonsvifte	Feil med vifte	BLINKER	AV	BLINKER	10 PIP	1 Kontroller viften for hindringer og forsikre deg om at viften roterer som den skal. 2 Tilbakestill toalettet (hold «startknappen» inne). 3 Åpne lokket til den røde lampen blinker, lukk lokket og trykk på «startknappen». Hvis feilen vedvarer, ring kundeservice.
Funksjonsfeil ved lukmekanismen	Feil med lukmekanisme	BLINKER	AV	STABILT PÅ	10 PIP	1 Tilbakestill toalettet hvis det er varmt. 2 Åpne lokket til den røde lampen blinker, lukk lokket og trykk på «startknappen». 3 Hvis dette ikke fungerer, tilbakestill toalettet, plasser en papirpose i skålen, hell tre kopper vann i posen, lukk lokket og trykk på «startknappen». 4 Hvis dette ikke fungerer, vent til toalettet er avkjølt (viften stanser). 5 Start toalettet på nytt, åpne lokket når luken åpnes, og fjern fastsittende gjenstander for hånd. Hvis problemet vedvarer, ring kundeservice.
Askebeholderen er feil plassert.	Askeskuff ute av posisjon	BLINKER	BLINKER	STABILT PÅ	3 PIP	1 Juster plasseringen av askebeholderen, roter mot venstre. 2 Sjekk at stoppinnen på beholderen er intakt. 3 Kontroller visuelt tilstanden til magneten på beholderen. Hvis problemet vedvarer, ring kundeservice.
Varmekretsen er avbrutt	Feil med varmekrets	AV	BLINKER	STABILT PÅ	KONTINUERLIGE PIP	1 Tilbakestill toalettet. 2 Kontroller bimetalltermostaten på høyre side av toalettet. Skru ut den grå pluggen og trykk på sikringen inni med fingeren: Ikke bruk en skarp gjenstand. Hvis sikringen ble utløst, hører du et klikk. Se kapittel 5. 4 Hvis sikringen ikke var problemet, starter du toalettet på nytt og prøver å starte forbrenningsprosessen. Gjenta et par ganger. Hvis problemet vedvarer, ring kundeservice.
Toalettlokksensoren er utløst	Lokket er åpent	BLINKER	AV	STABILT PÅ	INGEN	1 Sjekk magneten på innsiden av toalettlokket og lukk lokket. Hvis problemet vedvarer, ring kundeservice.
Funksjonsfeil ved temperaturføler	Feil med temperaturføler	AV	BLINKER	BLINKER	KONTINUERLIGE PIP	1 Tilbakestill toalettet. 2 Åpne lokket til den røde lampen blinker, lukk lokket og trykk på «startknappen». 3 Hvis feilen vedvarer, ring kundeservice.
Uleselig / ingen displaymelding	Uleselig / blank skjerm					1 Koble fra toalettet og vent i fem minutter. 2 Koble til toalettet og start det på nytt. 3 Hvis problemet vedvarer, ring kundeservice.

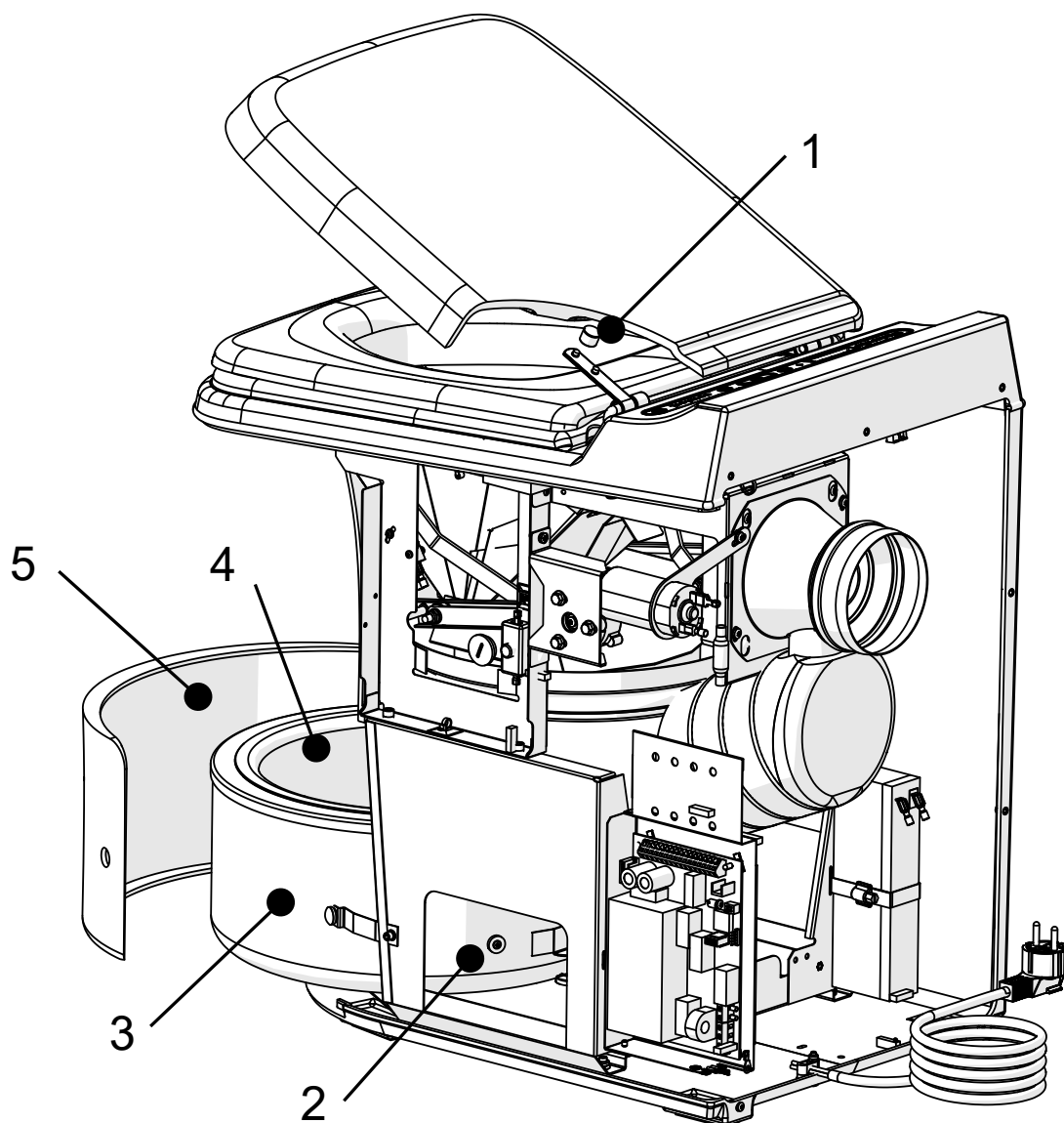


OBS!

Cinderella har utviklet en digital feilsøkningsmodul som ligger ute på nettstedet vårt. Modulen fungerer som en veiledning og et supplement til feilsøkingstabellen. Besøk oss på www.cinderellaeco.com

6. REPARASJONER OG RESERVEDELER

6.1 RESERVEDELSLISTE



ID	PART DESCRIPTION	ART. NO
1	Magnet 14x10 mm	100433
2	Magnet 14x7 mm	100065
3	Askeskuff	100715
4	Askeskuffinnsats	100014
5	Frontdeksel	100077

6.2 OVERSIKT OVER FORBRENNINGSPROSESSEN

Cinderella forbrenningstoalett er konstruert i henhold til feilsikre prinsipper. I tilfelle komponentsvikt eller feilaktige styresignaler går toalettet i «sikkerhetsmodus». Det betyr at toalettet ikke kan starte en forbrenning, og at det vises feilmeldinger på displayet, slik at alle tilfeller av komponentsvikt og/eller signalfeil som kan oppstå, blir sikret av systemet.

Produktet er utstyrt med hall-sensorer som styrer både lokket og askeskuffen. Disse sensorene er normalt åpne og blir utløst når de kommer i kontakt med magneten(e) montert på utsiden av beholderen og på innsiden av toalettlokket.

Når lokket åpnes, begynner aksialviften å ventilere systemet. Trykk på knappen på betjeningspanelet etter hvert besøk for å aktivere forbrenningen. Papirposen med innhold blir sluppet fra toalettsskålen ned i forbrenningskammeret, der den forbrennes trygt ved høy temperatur.

Lukemekanismen styres av to mikrobrytere: én montert på toppen av toaletttrammen for å kontrollere at luken er i ønsket «åpen» posisjon, og én montert nederst på fronten på toalettet for å sikre at luken er i trygg, lukket posisjon.

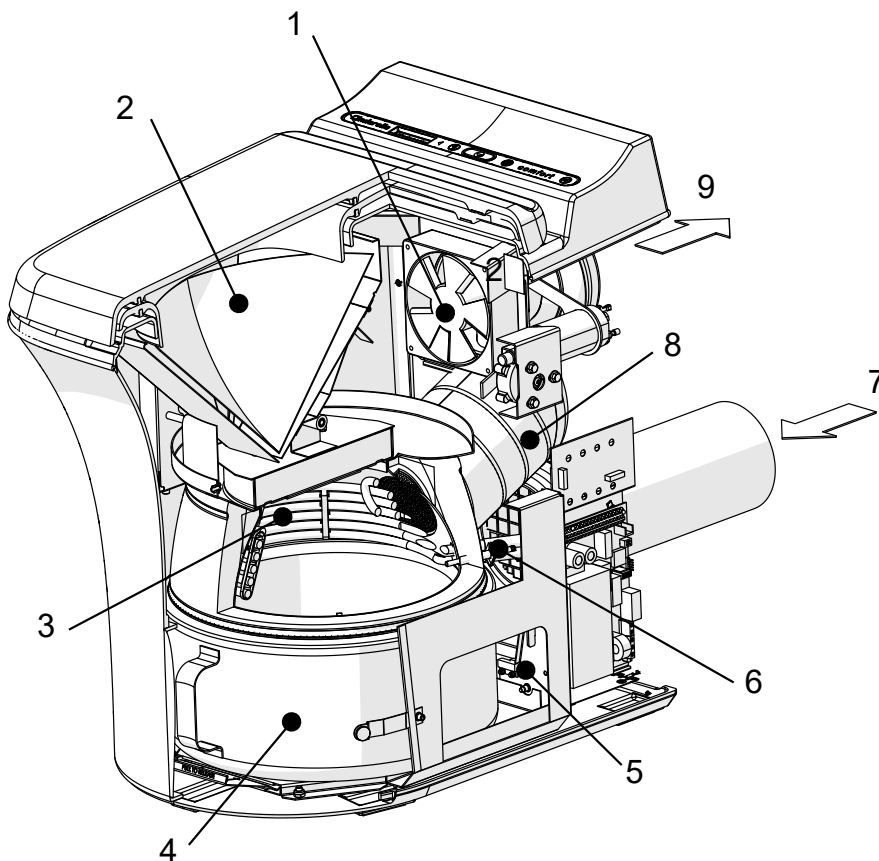
Luften som tilføres apparatet, gir det nødvendige oksygenet for riktig forbrenning. Utløpskanalen fjerner overflødig varme. All røyk og damp behandles ved hjelp av en varmeaktivert platinakatalysator for å redusere utslipp og lukt.

Temperaturen inne i forbrenningskammeret overvåkes nøye av termoelementet som er montert inne i kammeret, og temperaturen inne i toalettet ivaretas av bimetalltermostaten som er montert på toalettets innvendige ramme.

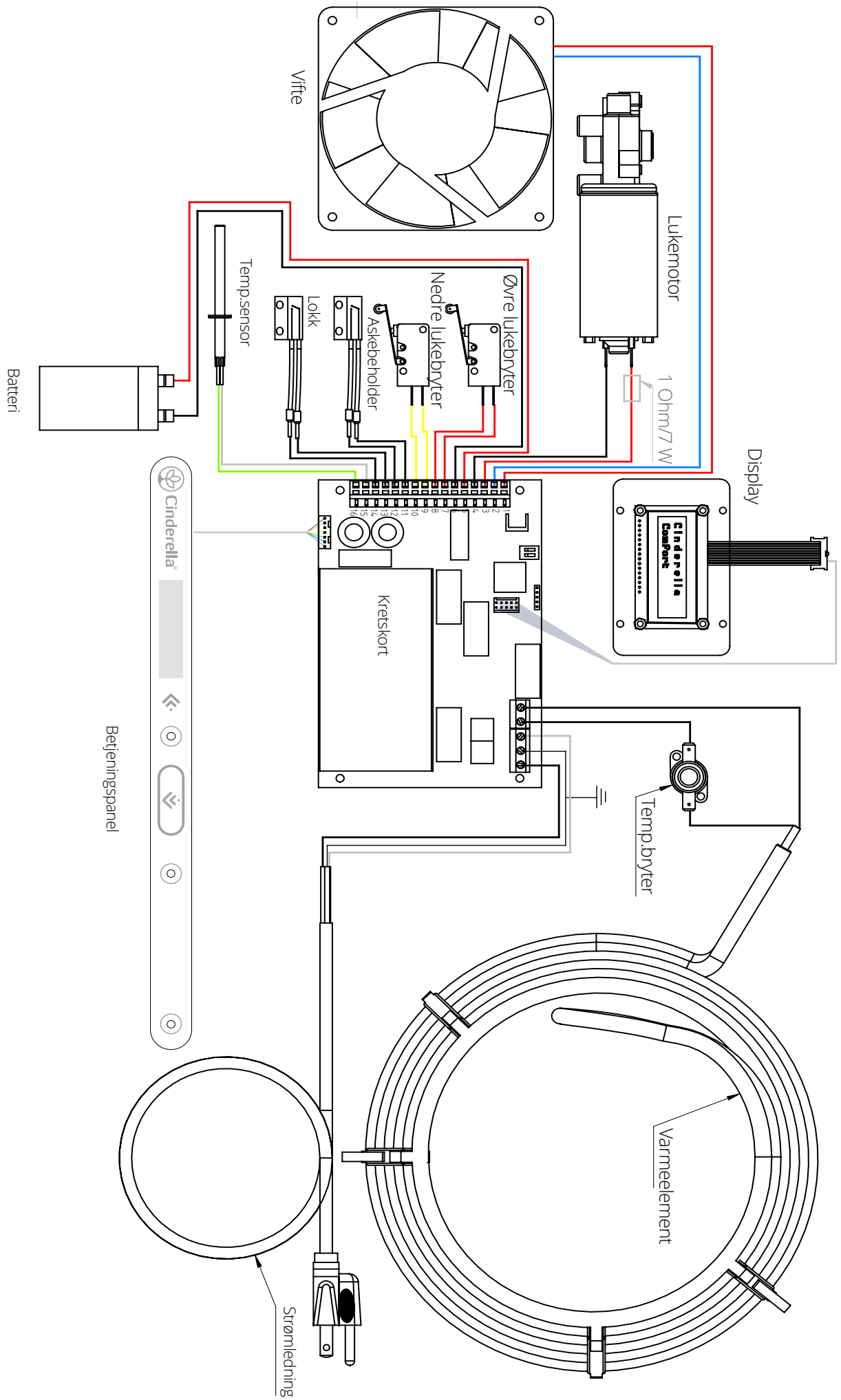
Forbrenningsprosessen kan ta 40 til 180 minutter og styres automatisk av toalettets sensorteknologi. Toalettet kan brukes når som helst under forbrenning. Forbrenningsprosessen blir midlertidig avbrutt når lokket åpnes, og gjenopptas automatisk når det lukkes igjen. Toalettet har en rekke sikkerhetsfunksjoner for å sørge for sikker bruk. Se avsnitt 3.4 i denne håndboken.

6.3 TEKNISK ORIENTASJON

ID	DELEBESKRIVELSE
1	Aksialvifte
2	Papirpose plassert i skål
3	Varmeelement
4	Askeskuff
5	Hall-sensor
6	Termoelement
7	Luftinntak
8	Katalysator
9	Avtrekk



6.3 KOBLINGSSKJEMA



7. GARANTI

Hva dekkes av denne garantien?

Denne garantien dekker defekter i materialer eller utførelse i ditt Cinderella forbrenningstoalett, på de betingelsene, i den perioden og med de unntakene som er beskrevet nedenfor.

Hva dekkes ikke av denne garantien?

Denne garantien dekker ikke normal slitasje eller skader som skyldes ulykker (herunder brann, oversvømmelse, orkan eller annen naturkatastrofe), misbruk, feil bruk, manglende overholdelse av produsentens anvisninger eller feil vedlikehold. Garantien dekker ikke følgeskader eller tilfeldige skader. Cinderella Eco Group har ingen «på stedet»-garanti. Det betyr at toalettet må transporteres til en autorisert serviceleverandør som kan utføre servicen. Hvis dette ikke er mulig, kan forhandleren fakturere en transport- eller reisekostnad.

Hvor lenge gjelder garantien?

For vanlige kunder gjelder denne garantien i en periode på tre (3) år fra den opprinnelige kjøpsdatoen. Bedriftskunder får ett (1) års garanti.

Hva vil Cinderella Eco Group gjøre?

Hvis du sender inn et gyldig krav under denne garantien, vil Cinderella Eco Group etter eget skjønn enten reparere, erstatte eller refundere kjøpesummen for ditt Cinderella forbrenningstoalett.

Hvordan får jeg service?

Kontakt forhandleren eller en autorisert serviceleverandør i ditt land. Tilgjengelige servicealternativer avhenger av landet servicen ønskes utført i.

Det kan bli bedt om å fremlegge kjøpsbevis når du fremsetter et krav under denne garantien. Du finner mer informasjon om garantien på nettstedet vårt: www.cinderellaeco.com

Cinderella Eco Group AS

Sjøvikvegen 67, 6475 Midsund
www.cinderellaeco.com

INNEHÅLL:

1. ALLMÄNT	3
1.1 INLEDNING	3
1.2 TILLÄMPNING I ENLIGHET MED BESTÄMMELSER	3
1.3 BRUKSANVISNING	3
1.4. ANSVARSBEGRÄNSNING	3
1.5 TESTER OCH CERTIFIERINGAR	3
1.6 MILJÖKRAV	3
1.7 INFORMATION OM AVFALLSHANTERING	3
1.8 ALLMÄNNA SÄKERHETSANVISNINGAR	4
1.9 TYPSKYLT	5
2. MONTERING	6
2.1 PACKA UPP TOALETTEN OCH TILLBEHÖREN	6
2.2 MÅTTSPECIFIKATIONER CINDERELLA COMFORT	6
2.3 CINDERELLA INSTALLATIONSSATS ORIGINAL	7
2.4 INSTALLATION, SPECIFIKATION	8
2.4.1 SPECIFIKATIONER AV DELAR OCH MATERIAL	8
2.4.2 MONTERA CINDERELLA FÖRBRÄNNINGSTOALETT	8
2.4.3 MONTERA FRÅNLUFTSRÖR	9
2.4.4 MONTERA HORIZONTELLT TILLUFTSRÖR	10
2.4.5 MONTERA CINDERELLA REGNHATT FLOW PÅ FRÅNLUFTSRÖRET	11
2.5 SPECIFIKATIONER OCH KRAV GÄLLANDE ELANSLUTNING	11
2.6 CHECKLISTA FÖR VERIFIERING AV SLUTFÖRD INSTALLATION	12
2.7 PRESTANDATEST EFTER INSTALLATION FÖR VERIFIERING	13
3. ANVÄNDNING	13
3.1 AVSEDD ANVÄNDNING OCH HANTERING	13
3.2 ALLMÄN SÄKERHET	14
3.3 SÄKER DRIFT	14
3.4 CINDERELLA COMFORT SÄKERHETSFUNCTIONER	14
3.5 VIKTIG INFORMATION TILL ANVÄNDARE	15
3.6 KONTROLLPANELEN	16
3.7 ATT ANVÄNDA CINDERELLA COMFORT	17
3.8 HANTERA FRONTLUCKAN OCH ASKSKÅLEN	18
3.9 DELARNAS PLACERING	18
4. ALLMÄNT UNDERHÅLL	19
4.1 SLUTPRODUKTENS EGENSKAPER	19
4.2 UNDERHÅLL	20
4.2.1 TÖMNING OCH RENGÖRING AV ASKBEHÅLLARE	20
4.2.2 ÅNGRENGÖRING AV KATALYSATORN	20
4.2.3 RENGÖRING AV TOALETTSKÅLEN	21
4.2.4 INSPEKTERA KATALYSATORN	22
4.2.5 RENGÖRA RÖRANSLUTNING	22
4.2.6 SKÖLJA KATALYSATORN MED VARMVATTEN	23
5. FELSÖKNING OCH VANLIGA FRÅGOR	23
5.1 FELSÖKNINGSTABELL	25
6. REPARATIONER OCH RESERVDELAR	26
6.1 LISTA ÖVER RESERVDELAR	26
6.2 TEKNIK OCH FUNKTION	27
6.3 PRODUKTRITNING	27
6.2 KOPPLINGSSCHEMA	28
7. GARANTI	29

1. ALLMÄNT

1.1 INLEDNING

Det är viktigt att säkerställa att ventilationen är tillräcklig och uppfyller de riktlinjer som anges i denna bruksanvisning. Detta för att din nya Cinderellatoalett ska fungera korrekt. Felaktig montering kan orsaka funktionsfel, slitage eller luktproblem samtidigt som garantin blir ogiltig. När produkten ska monteras ska de tekniska och administrativa bestämmelser som gäller i aktuellt land följas.

1.2 TILLÄMPNING I ENLIGHET MED BESTÄMMELSER

Denna produkt är designad för förbränning av kroppsliga avfallsprodukter och små hygienprodukter som toapapper, tamponger och våtservetter som inte innehåller alkohol.

1.3 BRUKSANVISNING

Läs denna bruksanvisning noga innan du monterar och börjar använda produkten. Förvara dessa instruktioner på en säker plats så att du vid behov kan ta fram dem. Om du överlåter produkten till någon annan ska även denna bruksanvisning överlämnas.

Detta är instruktioner om hur man monterar, hanterar och underhåller produkten på ett korrekt sätt. Det är viktigt att både montören och användaren läser igenom instruktionerna i denna bruksanvisning. Den innehåller även information om professionellt underhåll samt service och reparationer.

En digital version av detta dokument samt ytterligare information finns på www.cinderellaeco.com

1.4 ANSVARSBEGRÄNSNING

Informationen och instruktionerna i denna bruksanvisning har utformats enligt gällande standarder och bestämmelser och baseras på den nuvarande tekniska lösningen. Cinderella Eco Group AS förbehåller sig rätten att när som helst göra ändringar i syfte att förbättra produkten och säkerheten.

Tillverkaren tar inget ansvar för skador i följande fall:

- Felaktig montering
- Skador som orsakats av anslutning till felaktig spänning
- Modifieringar som gjorts utan uttryckligt godkännande från tillverkaren
- Användning för andra ändamål än de som beskrivs i denna bruksanvisning
- Underlåtenhet att följa instruktionerna gällande drift och underhåll
- Tillämpningar som inte är i enlighet med lagar och regler
- Användning av andra toalettpåsar och reservdelar än originalversionerna

1.5 TESTER OCH CERTIFIERINGAR

Cinderella Comfort har genomgått omfattande tester hos NEMKO (Norges Elektriske Materiellkontroll) i enlighet med EU:s standard avseende säkerhet och elektromagnetisk kompatibilitet.

1.6 MILJÖKRAV

- Omgivningstemperatur: -20 – +40 °C
- Användning på hög höjd: Testad upp till 2 500 m

1.7 INFORMATION OM AVFALLSHANTERING

Denna produkt får inte slängas som hushållsavfall. Lämna apparaten till en avfallsstation som kan hantera elektriska apparater.



OBSERVERA!

När Cinderella-toaletten är monterad ska avståndet mellan förbränningsdelen och övrig inredning vara minst: 50 mm åt sidorna, 50 mm från bakre vägg.

1.8 ALLMÄNNA SÄKERHETSANVISNINGAR



VARNING!

Säkerhetsanvisningar: Följ dessa instruktioner för att undvika allvarlig skada eller dödsfall.



VARNING!

Säkerhetsanvisningar: Dessa instruktioner måste följas för att skador ska kunna undvikas.



OBSERVERA!

Om dessa instruktioner inte följs kan det leda till materiella skador och försämrad funktionalitet.



OBS!

Tilläggsinformation gällande hantering av produkten.



VARNING!

- Spraya inte aerosoler i närheten av denna produkt när den är i drift.
- Använd eller förvara inte brandfarliga material i eller i närheten av denna produkt.
- Placera inte föremål mot eller ovanpå denna produkt.
- Modifiera inte produkten.



VARNING!

- Använd inte förbränningstoaletten om den har synliga skador.
- Om strömkabeln till toaletten är skadad ska den av säkerhetsskäl bytas ut av tillverkaren, kundservice eller en motsvarande behörig person.
- Denna toalett får endast repareras av behörig personal. Bristfälliga reparationer kan medföra allvarliga risker.
- Anslut endast toaletten till den spänning som anges på typskylten på toalettens baksida.



VARNING!

- Varning för klämskador! Lagg inte handen mot gångjärnet eller under toalettringen när den är uppfälld eftersom det inte finns någon mjukstängningsfunktion.
- Töm inte askskålen när den är varm.
- Se till att strömkabel och uttag är torra innan produkten startas.
- Informationen och instruktionerna i denna bruksanvisning har utformats enligt gällande standarder och bestämmelser och baseras på den nuvarande tekniska lösningen. Cinderella Eco Group AS förbehåller sig rätten att när som helst göra ändringar i syfte att förbättra produkten och säkerheten.



OBSERVERA!

- Ta enbart tag i toalettetskalet när toaletten ska flyttas. Dra aldrig i strömkabeln, främre panelen, locket, toalettringen eller frånluftsuttaget.
- Varning för överhettning! Se till att ventilationen är tillräcklig så att den värme och de partiklar som bildas under förbränning kan ledas ut genom skorstenröret. Säkerställ att luftflödet är tillräckligt. Se till att ventilationen in till toaletten är tillräcklig. Säkerställ att toaletten står tillräckligt långt från väggar eller andra föremål så att luften kan cirkulera.

1.9 TYP SKYL T

Typskylten sitter på baksidan av förbränningsstoaletten. Där anges modellbeteckning, serienummer, klassificering och information om support. Du behöver ange dessa uppgifter när du kontaktar kundtjänst eller beställer reservdelar.

MANUFACTURER



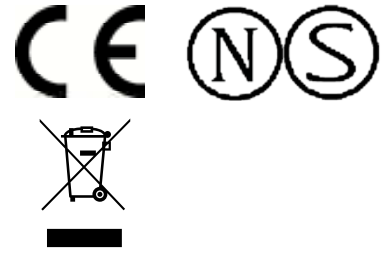
CINDERELLA ECO GROUP AS
Sjøvikvegen 67, 6475 Midsund, NORWAY

For sales and support call +47 77711500
or visit our web www.cinderellaeco.com

CINDERELLA COMFORT
MODEL: EM01CS02 - EU
SERIAL:

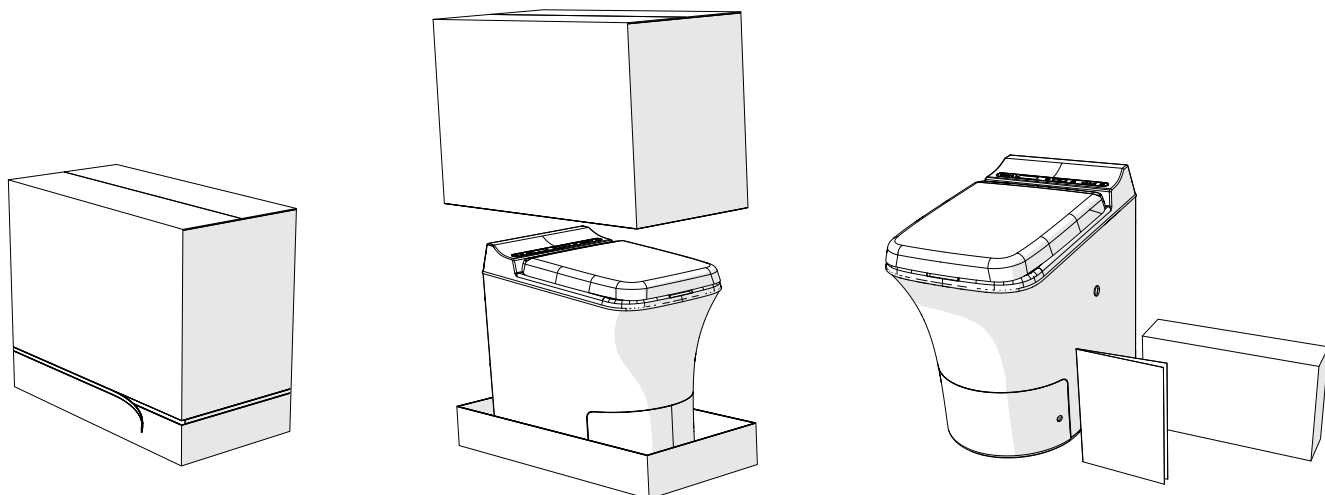
Appliance Specifications

VOLTAGE..... 220-240 V AC 50-60Hz
CURRENT 9 A
HEATING ELEMENT:..... 2000W
EL MOTOR: 12 V DC
BATTERY: 12 V DC 2,6 Ah
FAN BLOWER..... 12 V DC
PROTECTION CLASS..... IP 34
CAPACITY..... 4 VISITS PR. HOUR
CIRCUIT BOARD..... E5
YEAR OF MANUFACTURING..... 2023
DESIGNED FOR STATIONARY STRUCTURES



2. MONTERING

2.1 PACKA UPP CINDERELLA FÖRBRÄNNINGSTOAILETT



OBS!

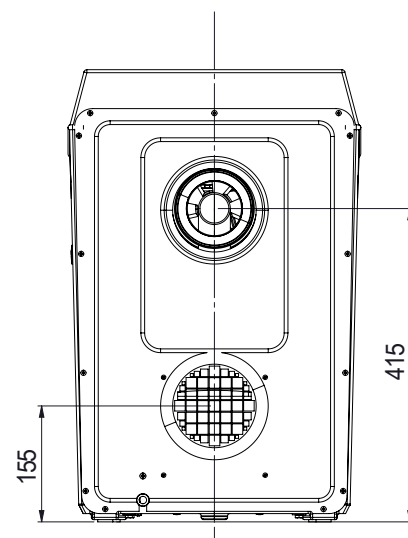
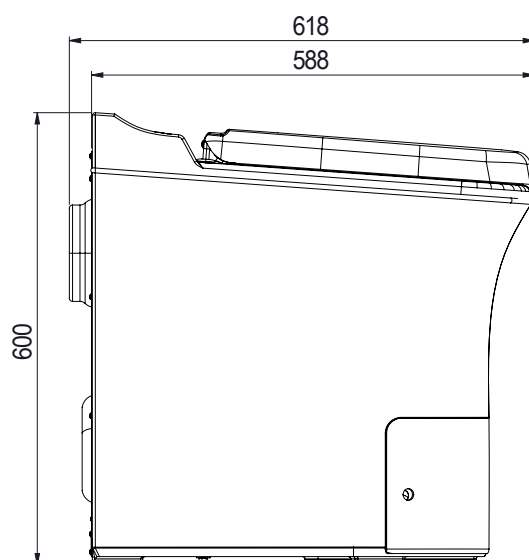
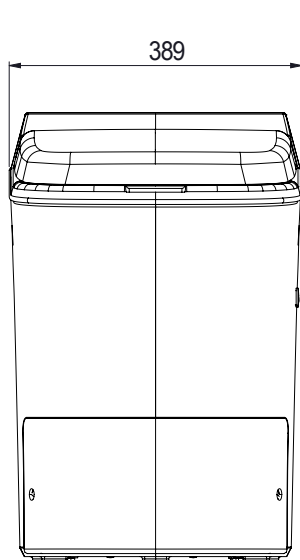
Öppna förpackningen genom att dra i remsan längst ner på lådan. Dra loss remsan hela vägen runt och lyft av lådan.

FÖRPACKNINGENS INNEHÅLL	ANTAL
Cinderella Comfort	1
Toalettpåsar	100
Bruksanvisning	1

2.2 MÅTTSPECIFIKATIONER

Höjd	600 mm
Sitthöjd	540 mm
Bredd	390 mm
Djup	590 mm

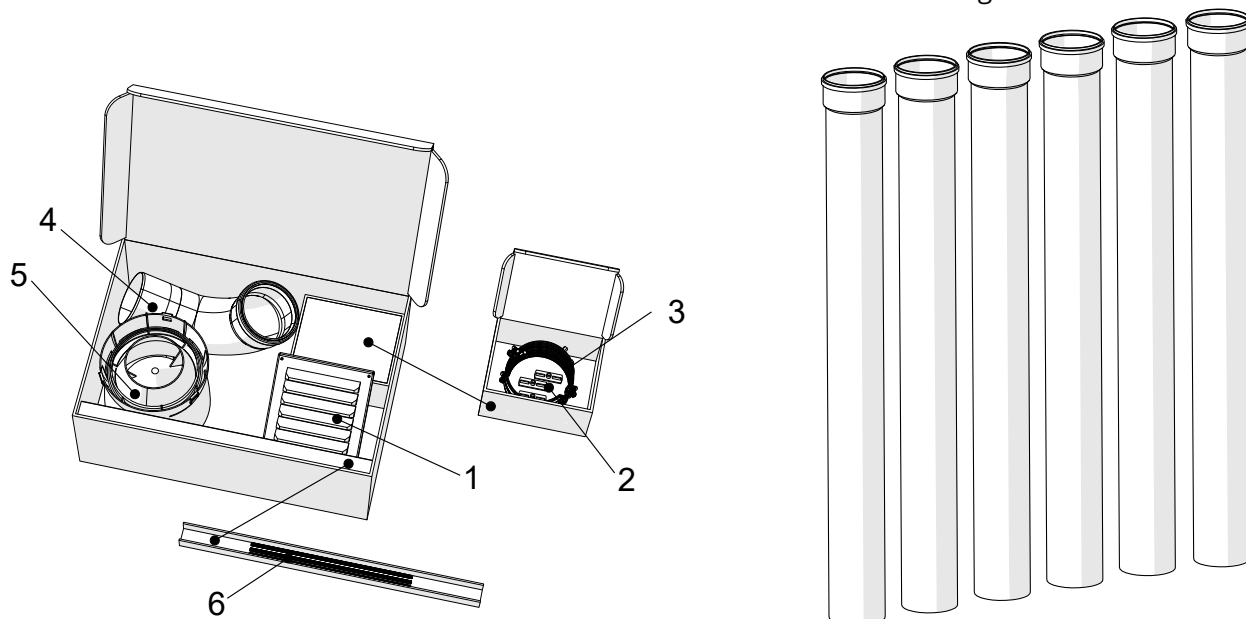
Anslutningsrör, ytterdiameter	110 mm
Höjd från mitten av frånluftsuttag	415 mm
Höjd från mitten av tillluftsuttag	155 mm
Vikt	34 kg



2.3 CINDERELLA INSTALLATIONSSATS ORIGINAL

Cinderella isoleringsatts Arctic: Cinderella har tagit fram en specialdesignad isoleringsatts som med fördel kan användas vid montering i kalla miljöer. Denna produkt är specialdesignad för Cinderella förbränningsstoletter. Den ger ett extra lager isolering inuti toalettstaket, vilket minimerar eventuell kondens- och isbildning. Detta minskar slitaget på både ut- och insidan. Vänd dig till din återförsäljare eller besök vår hemsida www.cinderellaeco.com om du vill ha mer information.

Cinderella original installationssatts: Vi rekommenderar starkt att Cinderella Original installationssatts används vid installationen. Detta kompletta paket innehåller alla delar som behövs för installationen och för att förbränningsprocessen och funktionaliteten ska fungera optimalt. I installationssattsens finns två olika paket. Paket nr 1 innehåller en regnhatt flow och vinkelrör 87 för ökat systemflöde och förbättrad förbränningseffektivitet. Det innehåller även en stormkåpa för tilluftskanalen samt rör och monteringsklämmor. Paket nr 2 innehåller 6 x 110 mm kvalitetsrör av UV-stabiliserad PP för montering av till- och frånluftsventilation.



CINDERELLA INSTALLATIONSSATS ORIGINAL BOX 1		ANTAL
1	Väggventil för tilluft	1
2	Väggmonteringsstav	3
3	Rörklämma	3
4	Vinkelrör 87° med dränering	1
5	Regnhatt Flow	1
6	Gängad stång	3

CINDERELLA INSTALLATIONSSATS ORIGINAL BOX 2		ANTAL
1	Skorstensrör 1015 mm hona-hane	6



OBS!

- I denna handbok beskrivs hur toaletten monteras på bästa sätt med de delar som ingår i Cinderella Original installationssatts. Om du vill montera din Cinderella med andra delar än våra originalrör och -delar ska du se till att de uppfyller de specifikationer som anges i avsnitt 2.4.1 "specifikationer av delar och material".
- För att kunna garantera att din Cinderella förbränningsstolett ska fungera som avsett är det viktigt att ventilationen är tillräcklig och uppfyller specifikationerna i denna handbok. Om monteringslösningen avviker från tillverkarens specifikationer, eller om icke godkända delar används, kommer produkten att fungera felaktigt, slitas och orsaka dålig lukt samtidigt som garantin blir ogiltig.

2.4 INSTALLATION, SPECIFIKATIONER

2.4.1 SPECIFIKATIONER AV DELAR OCH MATERIAL

ARTIKEL	SPECIFIKATIONER
Ventilationsrör	Cinderella Comfort ska alltid monteras med 110 mm-rör med slät insida och en inre diameter på minst 102 mm. Rörmaterialet måste tåla temperaturer över 100 °C och helst vara av PP- eller CPVC- typ. Vi rekommenderar starkt att Cinderella PP originalrör används.
Rörvinkel (frånluft)	Cinderella Comfort ska alltid monteras med en rörvinkel med slät yta som inte begränsar luftflödet. Vi rekommenderar starkt att Cinderella originalrörvinkel 87° med dränering används.
Regnhatt	Cinderella Comfort ska alltid monteras med en regnhatt som förhindrar att regnvatten kommer in och som begränsar luftflödet så lite som möjligt. Fläktar eller liknande ska inte användas för att ventileras Cinderella förbränningstolett. Vi rekommenderar starkt att Cinderella Regnhatt Flow för frånluftsroret används.



OBS!

- Ventilationsrörets insida ska vara slät och inte tillbucklad eller räfflad.
- Rörböjen ska vara åtkomlig efter att den monterats så att dräneringsröret kan spolas ur och frånluftsroret rengöras.
- Cinderella Comfort är godkänd för användning i badrum/våtrum (IP 34-klassificerad). De yttre delarna ska dock skyddas från vattenstänk.
- Toaletten ska placeras på ett stabilt och plant underlag. Den kan även placeras på ett uppvärmt golv.

2.4.2 MONTERA CINDERELLA FÖRBRÄNNINGSTOALETT

Det är viktigt att säkerställa att ventilationen är tillräcklig och uppfyller specifikationerna i denna bruksanvisning. Detta för att din nya Cinderellatoalett ska fungera korrekt. Felaktig montering kan orsaka funktionsfel, slitage eller luktproblem samtidigt som garantin blir ogiltig. Läs igenom alla avsnitt noga innan du börjar montera toaletten. Arbetet ska utföras av en behörig person i enlighet med lokala bestämmelser.



OBSERVERA!

Cinderella Comfort ska ha ett separat frånluftsror. Det är inte tillåtet att utrusta Cinderella Comforts ventilationslösning med något av följande:

- Vindventilator eller liknande som alternativ till regnhatten.
- Använd inte flexibla kanaler eller rör när Cinderella-toaletten ska monteras.
- Rör med en inre diameter på mindre än 102 mm .
- Montera aldrig ytterligare 90-gradersvinklar utöver rörböjen.
- Montera aldrig nät i ventilationsroret eftersom luftflödet då begränsas.



OBSERVERA!

- Följ alla de tekniska och administrativa lagar och regler som gäller i det aktuella landet där toaletten ska monteras. Vi rekommenderar att du kontaktar din lokala återförsäljare för att planera monteringen av din Cinderella-toalett.
- Om röret ska gå genom taket ska detta göras i enlighet med gällande byggbestämmelser.

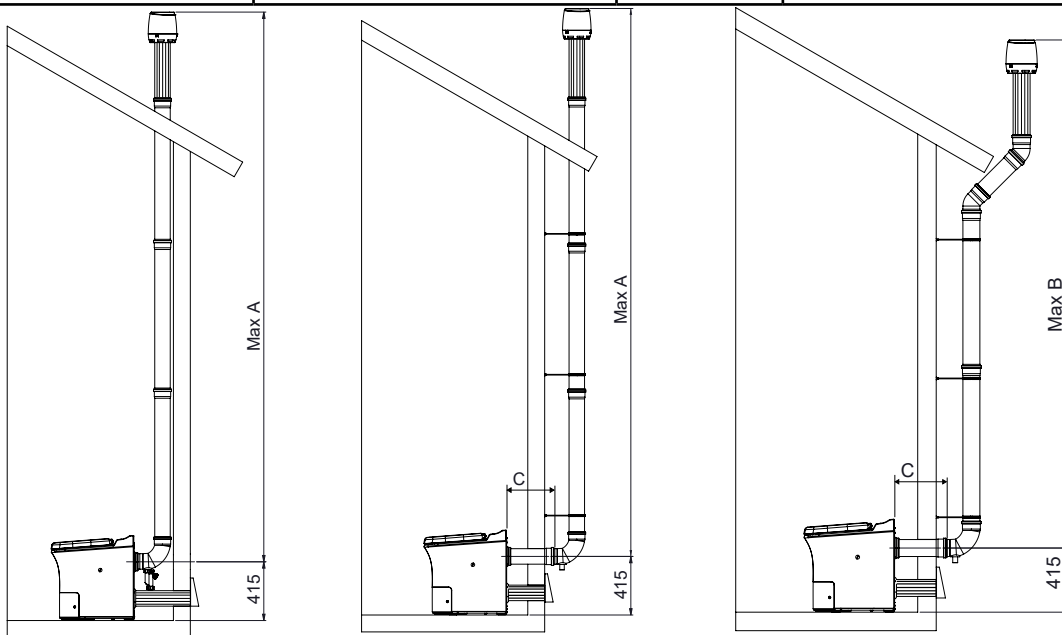


VARNING!

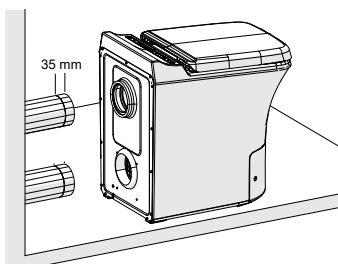
Försäkra dig alltid om att det inte går elledningar eller vattenrör i väggen där du ska göra hål.

2.4.3 MONTERA FRÅNLUFTSRÖR

DIAMETER VENTILATIONS RÖR	MONTERINGSRIKTNING	REFERENS	RÖRVINKLAR	MAXIMAL RÖRLÄNGD
110 mm	Horisontellt ventilationsrör	C	(Ej tillåtet)	1000 mm
110 mm	Vertikalt ventilationsrör	A	Inga	6000 mm
110 mm	Vertikalt ventilationsrör	B	2 x 45° rörvinklar	5000 mm

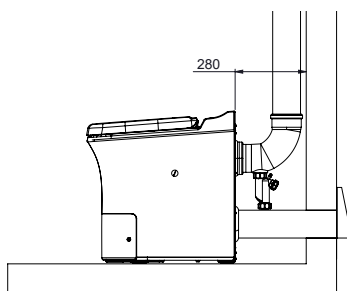


OBS!
Mittpunkten för ventilationsanslutningen sitter 415 mm över golvnivå.



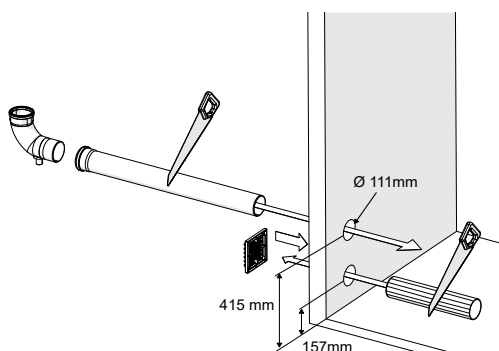
OBS!

Om du ska justera rörlängden bör du ta med i beräkningen att röret ska föras in 35 mm i ventilationsanslutningen på toaletten.



OBS!

Om röret ska monteras vertikalt, rakt upp från toaletten, ska avståndet mellan toaletten och väggen vara minst 280 mm.



OBS!

Cinderellas originalinstallationssats innehåller 6 x 1015 mm rör som används för frånluftslösningen. Rören levereras med anslutning och packning för förenklad montering. Om röret ska monteras på väggens utsida behöver det ledas genom väggen till insidan.

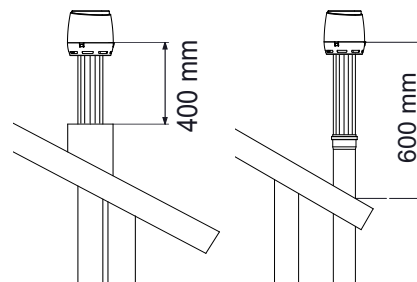


NOTERA!

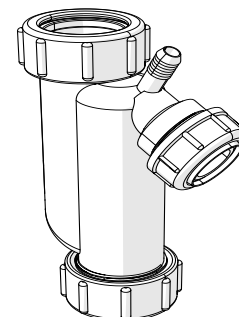
Apparatens frånluftskoppling är avsedd för anslutning av 110 mm PP-rör med en innerdiameter på minst 102 mm. Röret ska gå 35 mm in i toalettens frånluftsanslutning. Använd inte för mycket kraft när du ansluter röret, det kan skada apparaten.

**OBS!**

- Rörret ska alltid vara vertikalt monterat ovanpå taket och nå minst 600 mm ovanför takytan. Om frånluftsörret ska beklädas (t.ex. med metallbeläggning) ska röret sticka ut minst 400 mm ovanför beklädnaden.
- Om det är sannolikt att snö kommer att lägga sig på taket kan röret behöva förlängas och säkras ordentligt.

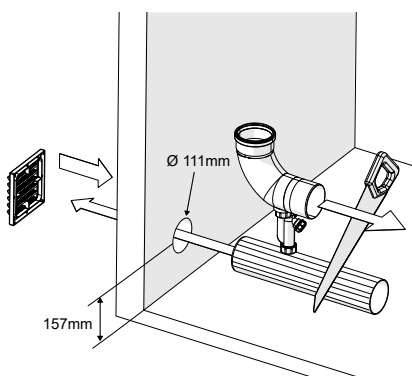
**OBS!**

Cinderella erbjuder en specialdesignad "sifon" som passar till den rövinkel som ingår i installationsatsen. Sifonen kan köpas som tillbehör hos alla Cinderella-återförljare. Om installationen görs inomhus ska sifonen anslutas till rövinkeln för att förhindra att kondens- och regnvatten droppar ner på golvet. Om kondensvattnet inte töms ut regelbundet kan golvet skadas.

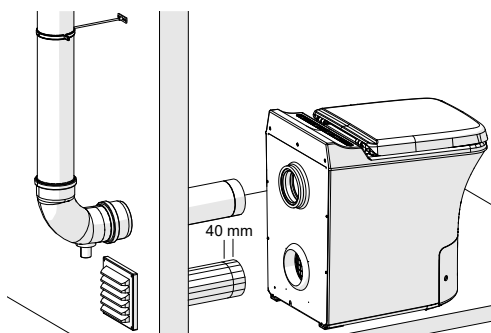
**2.4.4 MONTERA HORISONTELLT TILLUFTSRÖR**

Det är viktigt att det tillförs tillräckligt med friskluft till toaletten. Vi rekommenderar därför alltid att Cinderella Comfort monteras med den specialutformade röranslutningen. Att frisk luft tillförs utifrån in till produkten är avgörande för nedkylningen, cirkulationen och syretillförseln till förbränningsprocessen. Om toaletten inte tillförs tillräckligt med luft/syre försämras förbränningen och effektiviteten och produkten riskerar att överhettas. Dålig förbränning gör att produkten slits och garantin kan bli ogiltig.

YTTRE DIAMETER TILLUFTSRÖR	HÖJD, MITTPUNKT TILLUFTSRÖR	RÖR- RIKTNING	MAXIMAL RÖRLÄNGD
110 mm	155 mm	Horisontell	1000 mm

**OBS!**

Mittpunkten för tilluftsanslutningen sitter 155 mm ovanför golvet.

**OBS!**

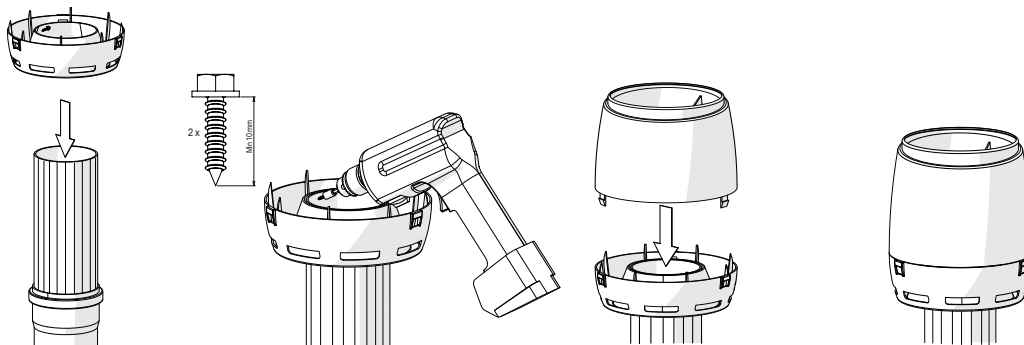
Kapa ett av rören till önskad längd för inloppsluft. Se till att använda den del av röret utan krage. Observera att röret kommer in i 40 mm in i inloppsanslutningen på apparaten.

2.4.5 MONTERA CINDERELLA REGNHATT FLOW PÅ FRÅNLUFTSRÖRET



OBS!

Cinderella installationssats original innehåller en skorstenshuv som är designad för optimalt luftflöde och ökad effektivitet. Huvens består av två delar där den nedre delen fästs mot röret med skruv av rostfritt stål eller lim. Det gör att det går enkelt att montera och demontera huvens när ventilationsrören ska underhållas. Använd den kraglösa delen av snittet rör från att installera det horisontella tillufts-röret som den sista sektionen av frånluftröret, denna användas som anslutning till skorstenshuvens.



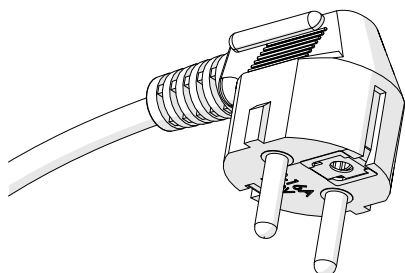
2.5 SPECIFIKATIONER OCH KRAV GÄLLANDE ELANSLUTNING



VARNING!

- Denna produkt ska installeras i enlighet med nationella och lokala lagar, bestämmelser samt elsäkerhetsstandarder.
- Produkten ska anslutas till korrekt spänning, frekvens och strömstyrka via en särskild jordad krets som skyddas av en krets brytare med lämplig dimension.
- Vilken spänning, frekvens och strömstyrka som är korrekt anges i denna manual samt på typskylten på toalettens baksida.

Elanslutning	INEFFEKT	STRÖM	SÄKRING
	220V-240V AC	9 A	10 A
Elförbrukning	VILOLÄGE		FÖRBRÄNNINGSLÄGE
	0,5 W		2000 W
Polaritet, anslutning	KABELGENOMSNIFF	KABELLÄNGD	KONTAKT
	1,5 mm ²	2,3 m	Typ F Schuko CEE 7



OBS!

Toaletten levereras med en stickpropp för 16 ampere, 250 volt, 2-polig 3-trådig jordkabel av typen schuko F CEE 7/7. För att strömtillförseln ska bli tillräcklig krävs en säkring om minst 10 A och 230 V AC.



VARNING!

- Anslutningskabeln ska dras så att den inte kommer i kontakt med vassa kanter.
- Om elektroniken eller anslutningskabeln måste modifieras ska arbetet utföras av en behörig elektriker eller motsvarande så att säkerhetsrisker kan undvikas.
- Spänningsomvandlare bör inte användas tillsammans med Cinderella-produkter. Cinderella Comfort har en elförbrukning på max 2 000 W och en förbränning kan pågå i mer än en timme. En spänningsomvandlare med en "högsta förbrukning" på 2 000 W kan eventuellt inte bibehålla denna uteffekt och då bli överbelastad, skadad eller osäker när den används tillsammans med en Cinderella Comfort.

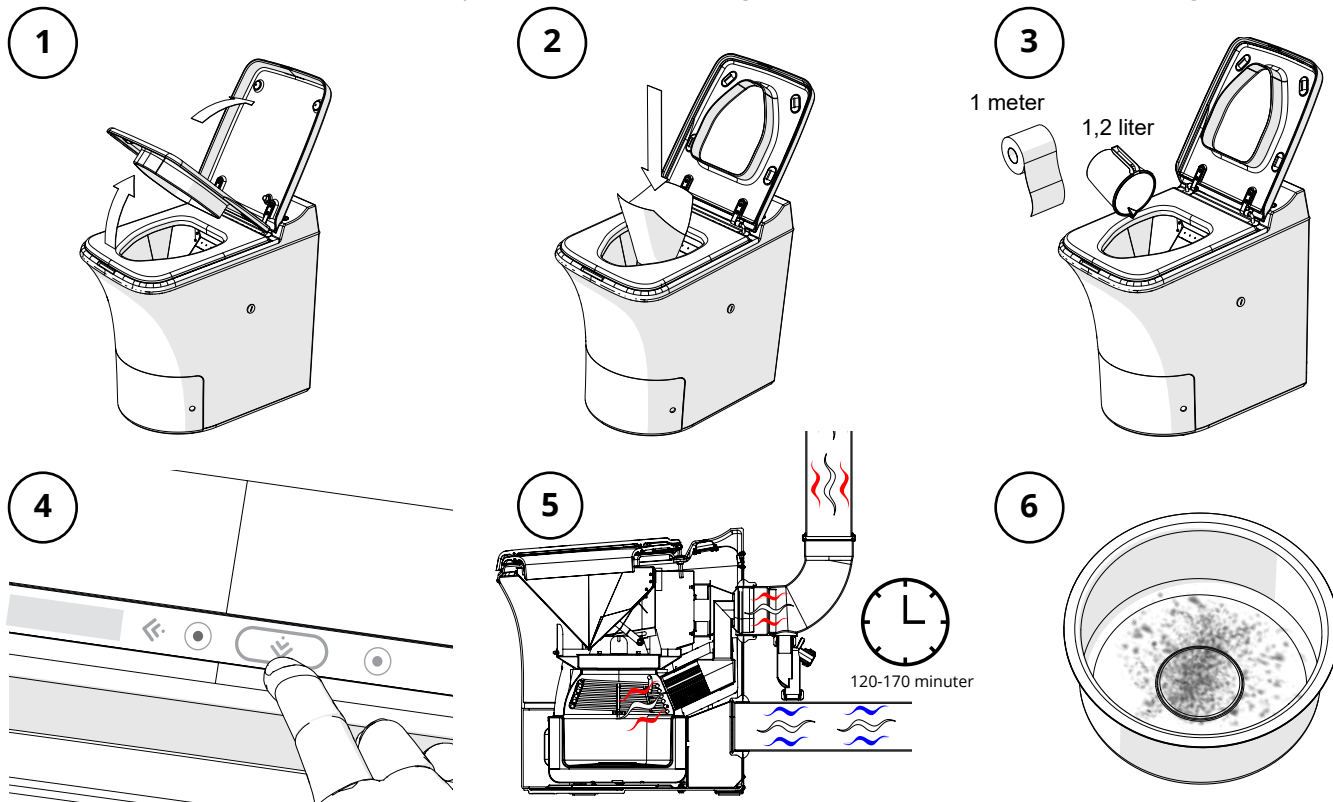
2.6 CHECKLISTA FÖR VERIFIERING AV SLUTFÖRD INSTALLATION

KONTROLLERA FÖLJANDE	SAMSVAR
Produkten är ansluten till den spänning som anges på typskylten	
Ventilationsröret är monterat i enlighet med tillverkarens specifikationer	
frånluftsroret mynnar ut minst 600 mm från takytan	
En självdränerande "sifon" har monterats där kondens sannolikt kan uppstå	
Material till frånluftsroret har monterats i enlighet med tillverkarens specifikationer	
Regnhatten har monterats i enlighet med tillverkarens specifikationer	

2.7 PRESTANDATEST EFTER INSTALLATION FÖR VERIFIERING

När startknappen trycks in aktiveras förbränningscykeln. Den beräknade förbränningstiden för verifieringstestet är 120–170 minuter. Den gula lampan lyser när förbränning pågår och testet ska kunna slutföras utan att det förekommer felmeddelanden eller systemavbrott. Toaletten måste svalna ända tills att fläkten stannat innan askskålen kan tas ut. Kylningsfasen kan ta 60–90 minuter beroende på omgivningstemperatur.

Slutprodukten ska vara fin vit aska. Eventuellt avvikande utseende eller en förbränningstid som överstiger 90 minuter kan tyda på att frånlufts rör är igensatt eller att det är brist på syre. Kontrollera att installationen överensstämmer med tillverkarens specifikationer, vilka anges i avsnitt 2 i denna bruksanvisning.



VARNING!

Askskålen blir mycket het under förbränning. Ta inte ut askskålen förrän toaletten svalnat helt och fläkten stannat.



OBS!

Prestandatestet är utformat för att genomföras innan toaletten börjar användas. Resultaten kan variera om testet utförs på använda toaletter.

3. ANVÄNDNING

3.1 AVSEDD ANVÄNDNING OCH HANTERING

Cinderella Comfort-toaletten är avsedd att monteras inomhus för användning i fritidshus, småhus, uthus, baracker, båthus och liknande. Toaletten är endast utformad för förbränning av kroppsliga avfallsprodukter och mindre hygienprodukter som toapapper, tamponger, bindor och våtservetter som inte innehåller alkohol. Om Cinderella Comfort används för förbränning av andra föremål anses detta som felaktig användning och garantin blir då ogiltig.

Lägg inte något av följande i toaletten:

- Stora mängder papper av något slag
- Klorinbaserade rengöringsmedel
- Rengöringsservetter innehållande alkohol
- Tidningspapper
- Pappershanddukar
- Brandfarliga vätskor eller material
- Cigaretändare
- Cigaretter eller cigarrer
- Bensin
- Alkoholhaltiga drycker eller vätskor
- Alkohol eller rengöringsprit
- Nagellacksborttagning
- Tändvätska
- Lampolja/fotogen
- Aerosolbehållare
- Glas- eller plastflaskor, burkar etc.

3.2 ALLMÄN SÄKERHET



VARNING!

- Använd inte förbränningstoaletten om den har synliga skador.
- Om strömkabeln till toaletten är skadad ska den av säkerhetsskäl bytas ut av tillverkaren, kundservice eller en motsvarande behörig person.
- Denna förbränningstolett får endast repareras av behörig personal. Reparationer utförda av obehöriga personer kan medföra fara eller skada toaletten.
- Rengöring och underhåll får inte utföras av barn utan övervakning.
- Använd inte explosiva ämnen eller brandfarliga rengöringsmedel när toaletten ska rengöras.



OBSERVERA!

- Toaletten är endast utformad för förbränning av kroppsliga avfallsprodukter, toalettpapper och mindre hygienprodukter som tamponger, bindor och våtservetter utan alkohol.
- Små barn ska övervakas när de använder Cinderellas förbränningstoletter.

3.3 SÄKER DRIFT



VARNING!

- Askskålen i toaletten blir mycket varm under förbränning. Se till att frontluckan sitter på plats när toaletten används. Töm inte askskålen förrän toaletten har svalnat helt.
- Sittringen har ingen mjukstängningsfunktion. Akta därför händer och fingrar så att de inte kläms när locket eller sittringen fälls ner.



OBSERVERA!

Risk för försämrad förbränning och överhettning av toaletten!

- Använd alltid en ny påse för varje gång du använder toaletten.
- Säkerställ att installation är korrekt så att värmen som alstras under förbränningen kan avledas ordentligt.

3.4 CINDERELLA COMFORT SÄKERHETSFUNCTIONER

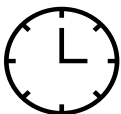
- Förbränningsprocessen är inaktiv när toalettlocket är uppfällt. Förbränningen startar inte förrän locket och sittringen är nerfällna och startknappen har aktiverats.
- Luckan till förbränningskammaren kan INTE öppnas så länge toaletten är varm (t.ex. för rengöring). Den ska endast öppnas när toaletten har svalnat och fläkten stannat.
- Om det uppstår problem med ventilationen och temperaturen inuti toaletten stiger över 105 °C avbryts förbränningen och det visas ett felmeddelande. Innan toaletten kan användas igen måste ventilationsproblemet åtgärdas och systemet omstartas manuellt.
- Om askskålen sitter i fel läge efter tömning kommer förbränningen inte att starta och ett felmeddelande visas.
- Om det uppstår problem med förbränningskammarens luckmekanism så att luckan inte kan stängas kommer förbränningen inte att starta och det visas ett felmeddelande.
- Den smarta Cinderella-programvaran övervakar temperaturen under tiden förbränning pågår. Om avvikelser från det normala temperaturintervallet registreras stoppas förbränningen omedelbart och det visas ett felmeddelande.

3.5 VIKTIG INFORMATION TILL ANVÄNDARE



OBS!

- Kom ihåg att sätta en ny påse i toaletten innan den används – en påse per besök.
- Toalettlocket ska alltid vara stängt när toaletten inte används. Förbränningen startar eller återupptas inte förrän locket har stängts.
- Förbränningscykeln kan ta upp till 180 minuter från det senaste besöket.
- Fläkten fortsätter att gå tills förbränningen är avslutad och temperaturen inuti toaletten åter är inom det normala temperaturintervallet. Nedkylningsfasen kan pågå i mer än 120 minuter efter att förbränningen är klar, beroende på temperaturen på den luft som tillförs.
- Cinderella-toaletten kan användas när som helst under tiden förbränning eller nedkylning pågår. Förbränningen avbryts när toaletten används. Se till att fälla ner locket och trycka på start efter varje besök.



1 timme

Kapacitet: 4 toalettbesök per timme

Cinderella Comfort-toaletten är designad för att kunna hantera upp till fyra besök per timme. För att undvika överbelastning rekommenderas högst fyra besök per timme. Om toaletten överbelastas och det görs flera besök under en kort tidsperiod utan att en förbränningscykel slutförts kan det uppstå dålig lukt och läckage samt att toaletten kan ta skada.



Töm

Tömningsfrekvens

Systemets askskål rymmer högst 5 liter. Askskålen ska tömmas ofta (en gång i veckan) för att toaletten ska fungera optimalt, även fast tömningsvarning inte visas. Förbränningen blir då mer effektiv och katalysatorn håller sig ren längre.

Om askskålen inte har tagits ut (för veckovis tömning) visas efter 90 förbränningscykler ett meddelande om att tömning behövs. Om den inte tömts efter 120 besök spärras toaletten för fler besök. Vi rekommenderar att du tömmer toaletten så ofta det är möjligt för att säkerställa en bättre förbränningseffektivitet och mindre slitage på produkten.

Om askskålen inte töms när den är full kan toaletten skadas och garantin bli ogiltig.



Längre period

Göra i ordning toaletten för en längre tids uppehåll

Om toaletten inte ska användas under en period eller om det finns risk för blixtnedslag ska kontakten dras ur för att förhindra skador.

OBS! Avfallet ska vara förbränt och den gula lampan släckt innan kontakten dras ur. Om oförbränt avfall finns kvar i toaletten kan detta med tiden orsaka omfattande skador. Toaletten ska stå torrt och skyddas mot yttre påverkan från temperaturvariationer och fukt. Det kan också vara klokt att koppla loss toaletten från rören om den ska stå oanvänd en längre tid. Kom ihåg att alltid återansluta toaletten innan den används.



Max 4 besök

Kort period av ökad användning

Om många väntas använda toaletten under en kort tidsperiod bör du följa dessa råd:

1. Töm askskålen helt innan gästerna anländer.
2. Förvärm toaletten innan användning genom att öppna och stänga locket och sedan trycka på startknappen.
3. Informera gästerna om att de ska använda en toalettpåse och sedan trycka på start efter varje besök.
4. Kontrollera regelbundet att toalettlocket är stängt och att den gula förbränningslampan fortfarande lyser.
5. Du kan behöva köra en eller två extra förbränningscykler innan askskålen töms för att avfallet ska bli helt förbränt.
6. Om det görs ett ökat antal besök under flera dagar ska askskålen tömmas ofta, ungefär varannan dag.

3.6 KONTROLLPANELEN

Kontrollpanelen avger både ljus och ljud samt visar meddelanden för att ge bästa möjliga användarupplevelse. Det finns ett antal ljus- och ljudkombinationer som informerar användaren om status för systemet. Det är viktigt att alla användare bekantar sig med dessa signaler innan de använder toaletten. En översikt över ljus- och ljudsignalerna finns i felsökningstabellen i avsnitt 5.1.



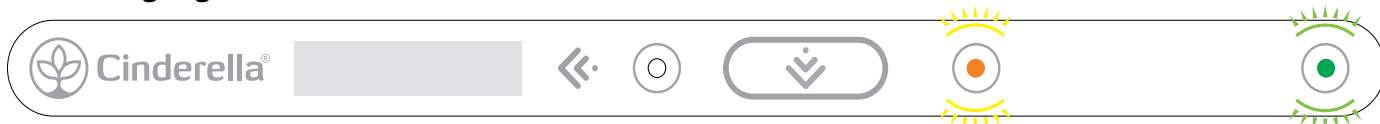
OBS!

- En grön lampa visar att toaletten förses med ström. När endast den gröna lampan lyser är toaletten i viloläge och den är redo att användas.
- En gul lampa visar att förbränningsprocessen pågår. Den lyser konstant så länge toaletten är i förbränningsläge.
- När en röd lampa lyser/blinkar har ett fel uppstått och toaletten är inte längre i förbrännings- eller viloläge.

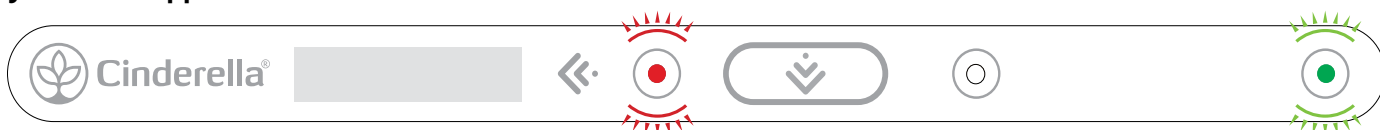
Viloläge



Förbränningsläge



Systemet stoppat

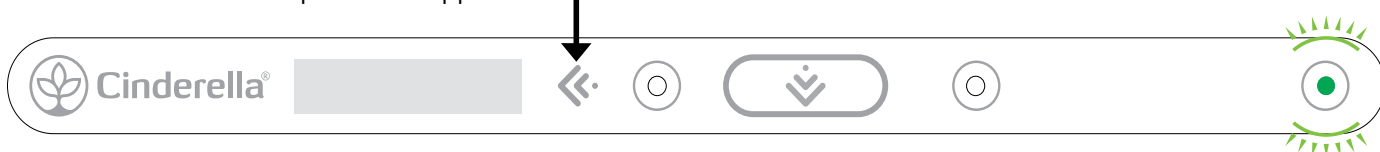


Välja språk

Håll in knappen "välj språk" i tre sekunder tills det står "språk" på första raden.

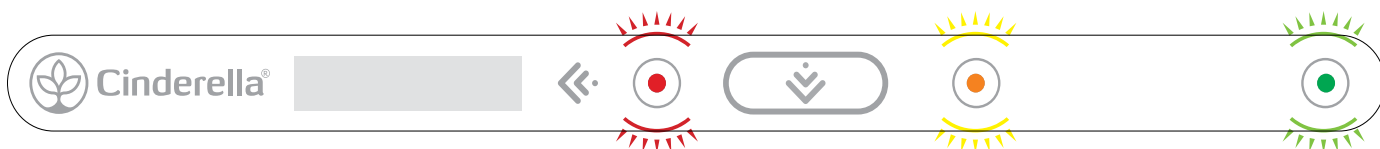
Nuvarande språk visas på andra raden. Tryck in språkvalsknappen upprepade gånger tills önskat språk visas. Det nya språket sparas automatiskt några sekunder efter att du valt språk. Därefter återgår toaletten till driftläge.

Språkvalsknapp



Tömningsindikator

Cinderella toaletten signalerar när det är dags att tömma askskålen. På displayen visas "TÖM ASKSKÅLEN" och det hörs tre korta pip när toalettlocket fälls upp. Om den inte töms inom kort kommer toaletten att spärras. Då lyser de gula och röda lamporna konstant och på displayen visas "TOALETT SPÄRRAD ASKSKÅL FULL". Det hörs tre korta pip var tionde sekund tills askskålen har tömts.

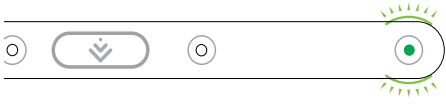


OBS!

Askskålen är vanligtvis mindre än halvfull när meddelandet "töm askskålen" visas. Du bör ändå tömma askan eftersom frekventa tömningar ökar förbränningseffektiviteten.

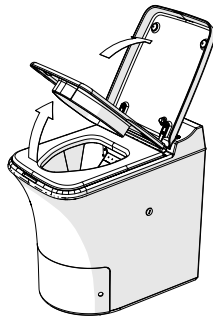
3.7 ATT ANVÄNDA CINDERELLA COMFORT

1



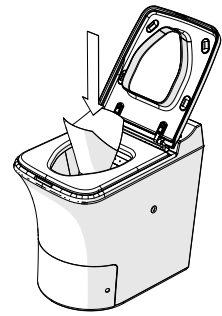
1. Kontrollera att den gröna lampan på kontrollpanelen lyser, dvs. att toaletten är elansluten och redo för användning.

2



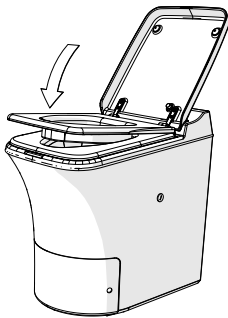
2. Fäll upp toalettlocket och sittringen. Den röda lampan börjar då blinka. Ventilationsfläkten startar.

3



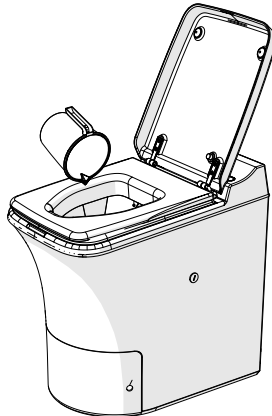
3. Sätt en toalettpåse i skålen. Sätt i en ny påse vid varje besök.

4



4. Fäll ner sittringen. Toaletten är nu redo att användas.

5



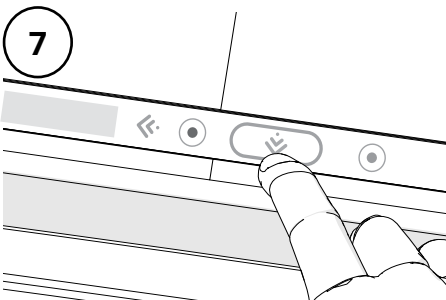
5. Använd toaletten som vanligt. Om det bara finns en liten mängd avfall i påsen ska man hälla lite vatten i påsen så att den blir tyngre.

6



6. Stäng toalettlocket.

7



7. När startknappen trycks in släpps påsen med innehållet i förbränningskammaren. Förbränningen startar så snart luckan stängs. Toaletten är nu redo för nästa besök.

8



8. Under förbränningen lyser en gul lampa konstant. Toaletten kan användas under tiden. Då avbryts förbränningen tillfälligt. Förbränningstiden kan variera beroende på antalet besök och mängden avfall.

3.8 HANTERA FRONTLUCKAN OCH ASKSKÅLEN



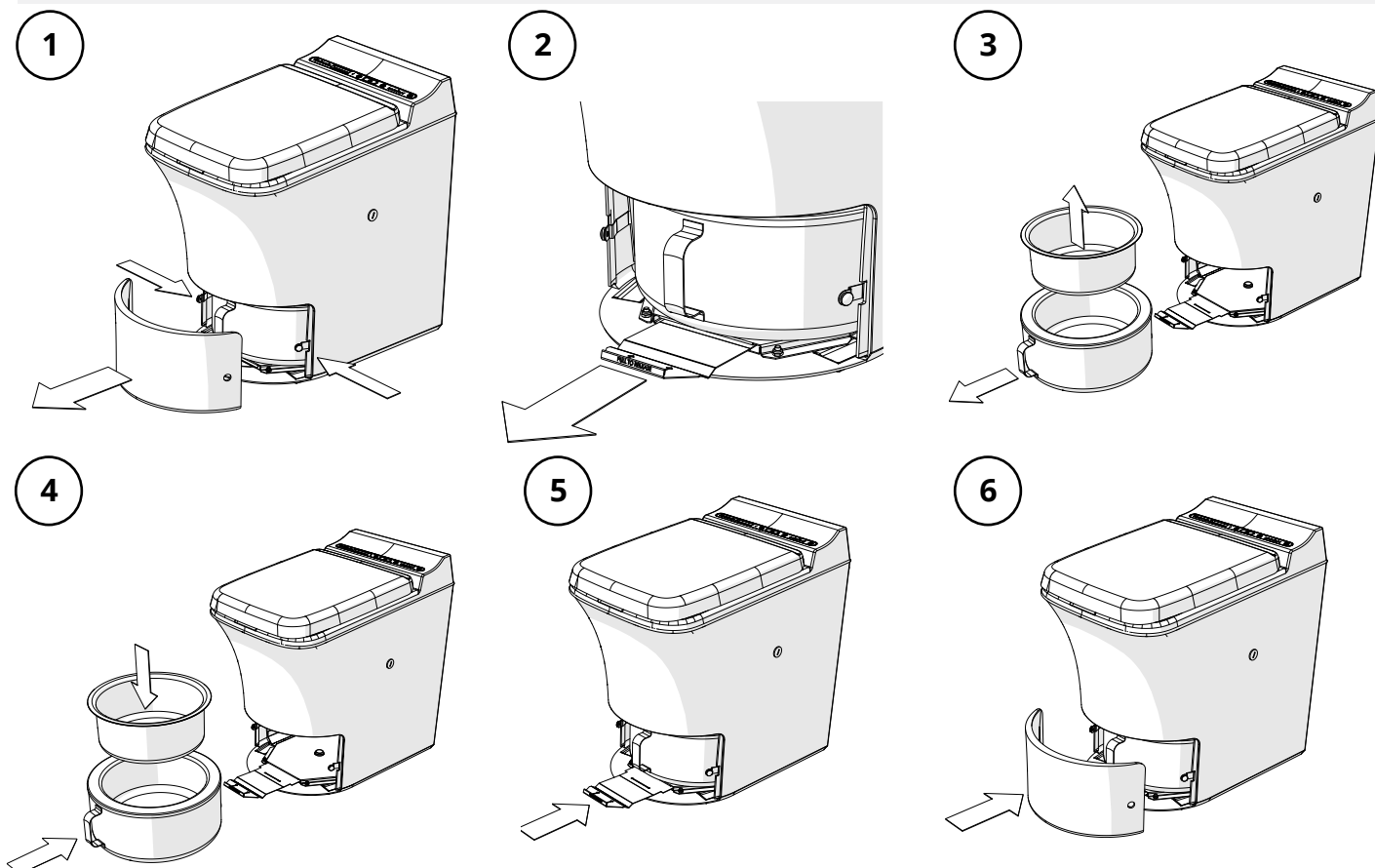
VARNING!

Hantera endast askskålen när toaletten är i viloläge och tillräckligt nedkyld.

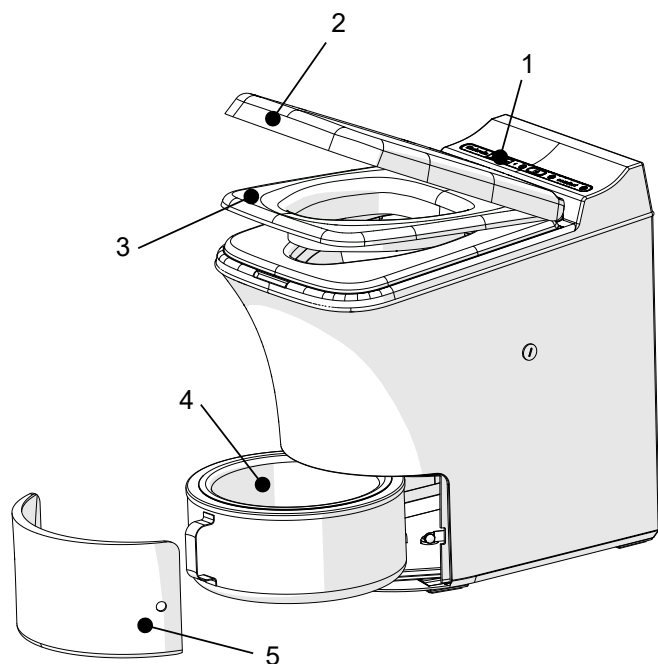


OBS!

I avsnittet om underhåll finns instruktioner om rengöring och tömning av askskålen.



3.9 DELARNAS PLACERING



ID	BESKRIVNING
1	Kontrollpanel med display
2	Lock
3	Sittring
4	Insats till askbehållare
5	Frontlucka
6	Askskål
7	Varmesäkring

4. ALLMÄNT UNDERHÅLL

Denna bruksanvisning innehåller både information om allmänt underhåll och underhåll som ska utföras av personer som har erforderlig kompetens och behörighet.

Ett väl fungerande ventilationssystem är avgörande för att toaletten ska fungera som avsett. Partiklar som genereras under förbränningsprocessen kan med tiden täppa till katalysatorn och frånluftsriöret. Det är därför viktigt att regelbundet underhålla dessa delar för att de ska fungera korrekt.

För att säkerställa en optimal funktionalitet och förlänga livslängden för din Cinderella Comfort behöver du avsätta lite tid för förebyggande underhåll. Med bra rutiner för underhåll blir driftskostnaderna lägre och produkten utsätts för mindre slitage. Vi rekommenderar starkt våra kunder att regelbundet utföra följande underhåll:

1. Töm toaletten ofta. Basera inte underhållsrutinerna på maxgränsen.
2. Rengör alltid askskålen och insatsen när de tömts (se avsnitt 4.2.1).
3. Ångtvätta alltid toalettstakålen när en förpackning (500) påsar använts, gärna efter att askskålen tömts och rengjorts. (Se avsnitt 4.2.2).
Skölj katalysatorn med varmt vatten när en förpackning (500) påsar använts eller oftare om det behövs. (se avsnitt 4.2.6)
4. Kontrollera alltid hur askan ser ut när toaletten töms. Om slutprodukten har ett avvikande utseende kan det behövas underhåll eller service (se avsnitt 4.1).

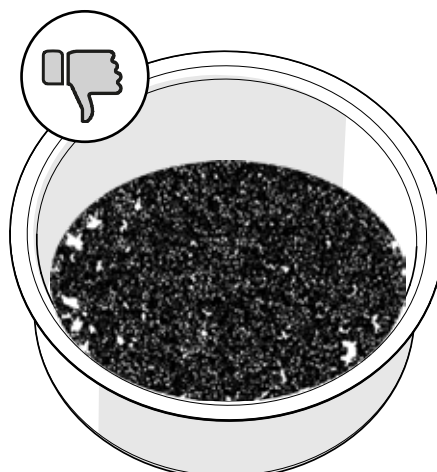
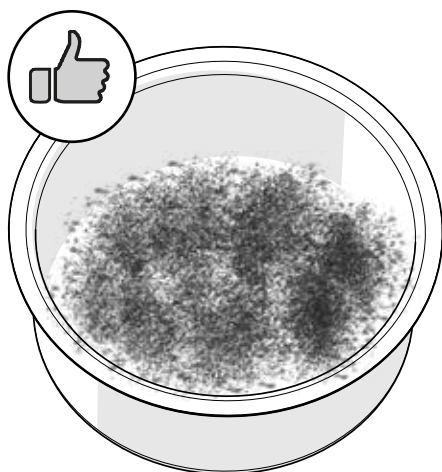


VARNING!

Se till att toaletten inte är i förbränningsläge och att den har svalnat tillräckligt innan underhåll påbörjas.

4.1 SLUTPRODUKTENS EGENSKAPER

Restavfallet, eller askan, innehåller patologiska rester, salter och mineraler och kan därför ofta uppfattas som hårt och kristalliserat. Det ska inte finnas några synliga rester av papper eller flagor av oförbränt avfall. Askan ska bestå av en blandning av vita och mörkgrå partiklar. Om det finns större mängder svart oförbränt avfall, fukt eller papper i behållaren ska en ny förbränning startas utan att ytterligare papper eller vatten tillsätts. När förbränningen avslutats ska behållaren tömmas och underhåll utföras i enlighet med instruktionerna i denna bruksanvisning.

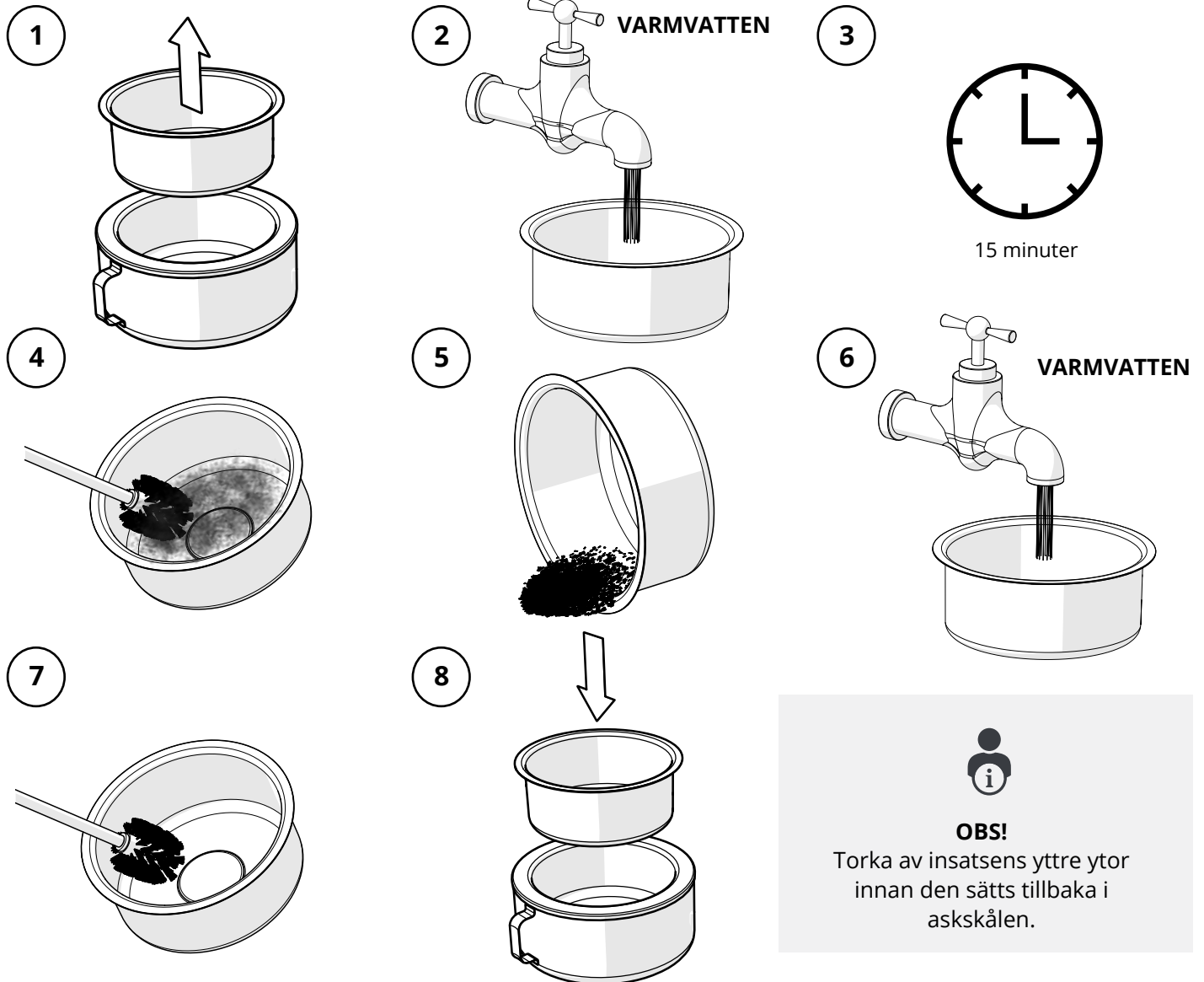


OBS!

Askresterna är sterila och innehåller inga bakterier eller smittämnen. Askrester rekommenderas att sorteras som restavfall. Var medveten om att restriktioner kan gälla i vissa länder, så bekanta dig med och följ reglerna i det land du befinner dig i.

4.2 UNDERHÅLL

4.2.1 TÖMNING OCH RENGÖRING AV ASKBEHÅLLARE



OBSERVERA!

- Använd inte vassa verktyg eller föremål när askskålens insats rengörs eftersom den då kan skadas och dess livslängd förkortas.



OBS!

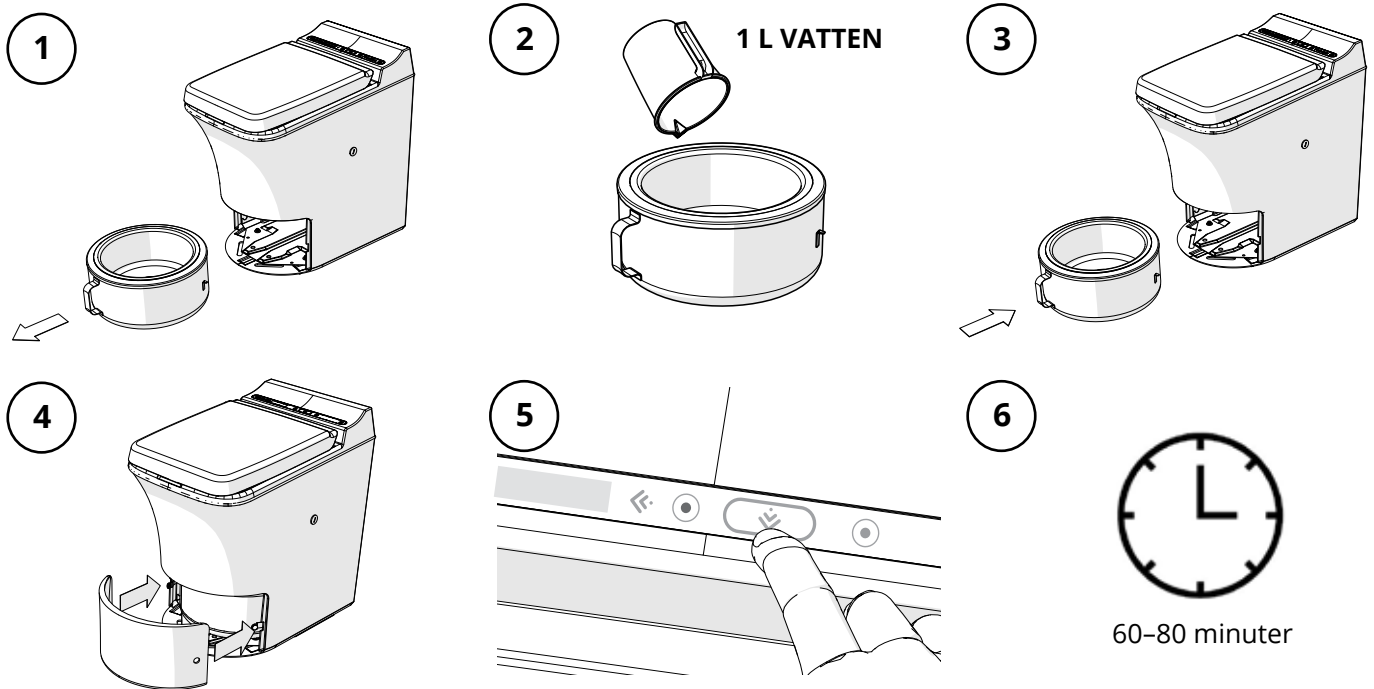
- För att toalettens funktionalitet ska bibehållas rekommenderar vi att du utför ångrengöring i enlighet med avsnitt 4.2.2 varje gång du tömmer och rengör insatsen. Då förhindrar man att det bildas tjära och oönskade avlagringar i katalysatorn och frånluftssystemet.
- Se till att toalettens elkabel är ansluten när askan ska tömmas. Om den töms utan att elen är ansluten kan systemet inte återställa räknaren.
- Det är bra att tömma askan så ofta som möjligt för bättre förbränningseffektivitet.

4.2.2 ÅNGRENGÖRING AV KATALYSATORN

Rekommenderad frekvens: När askskålen töms.

1. Kontrollera att toaletten är sval och att askskålen tömts och rengjorts (se avsnitt 4.2.1).
2. Ta bort frontluckan och ta ur askskålen.
3. Häll cirka 1 liter rent vatten i insatsen.
4. Sätt försiktigt in askskålen så att inget vatten spills ut och sätt tillbaka frontluckan.

5. Lyft locket och kontrollera att fläkten börjar rotera.
6. Tryck på start för att påbörja en förbränningscykel.
7. När vattnet börjar koka kommer ångan att avlägsna eventuell smuts från katalysatorn. Denna rengöring tar normalt 60–80 minuter.



OBS!

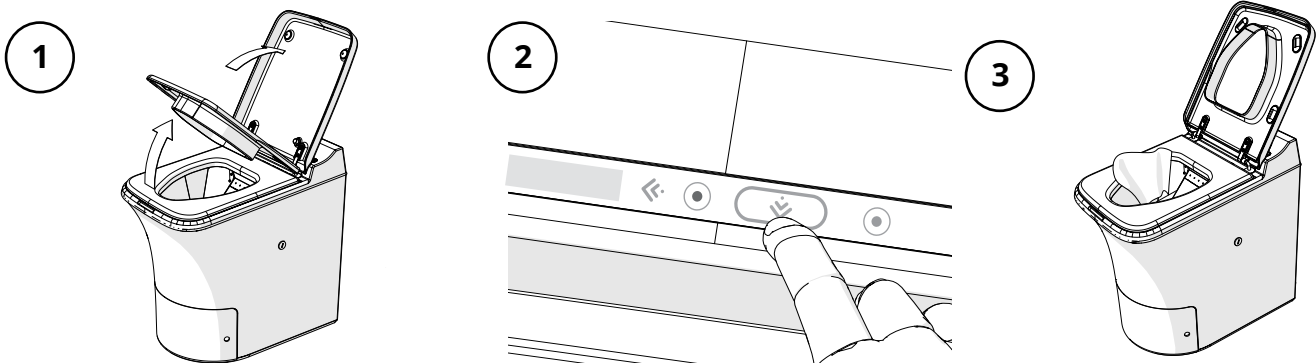
Använd inte toaletten under underhållsprocessen eftersom rengöringsfunktionen då blir mindre effektiv. Toaletten kan användas när den åter är i viloläge.

4.2.3 RENGÖRING AV TOALETTSKÅLEN

Rekommenderad frekvens: vid behov samt när askskålen töms.

Rengöring av toalettskålen:

1. Fäll upp toalettlocket.
2. Tryck in startknappen i tre sekunder så att luckan ställs i rengöringsläge.
3. Torka med fuktat papper och vid behov ett mildt rengöringsmedel. Släpp papperet i skålen och stäng locket.



VARNING!

- Rengör inte toalettskålen med brandfarliga rengöringsmedel.
- Vissa metalldelar har vassa kanter
- Toaletten ska ha svalnat och vara i viloläge när toalettskålen rengörs.



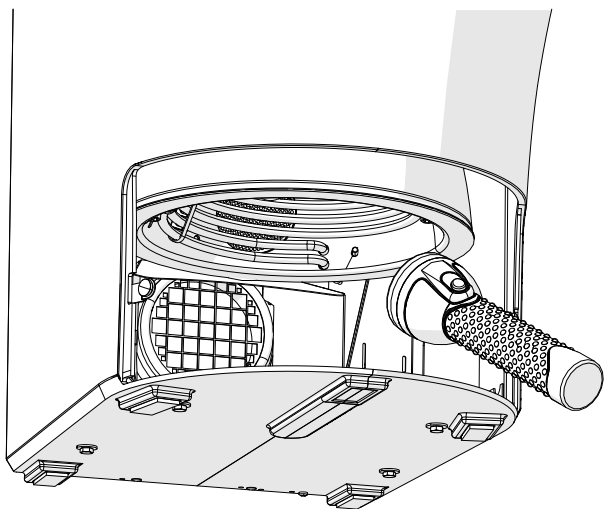
OBSERVERA!

Använd inte klorinbaserade produkter för att rengöra skålen. Klorin är extremt skadligt för katalysatorn och kan orsaka funktionsfel.

4.2.4 INSPEKTERA KATALYSATORN

Rekommenderad frekvens: Efter 500 toalettbesök.

Katalysatorn är den primära luftkanalen mellan förbränningskammaren och skorstensröret. Eventuella partikelansamlingar i katalysatorn minskar flödes hastigheten och försämrar toalettens effektivitet samt orsaka dålig lukt. Det är därför viktigt att se till att katalysatorn alltid är fri från beläggningar. Om förbränningstiden blir längre, förbränningseffektiviteten sämre och det uppstår dålig lukt kan det bero på att katalysatorn är igensatt. Det bästa och enklaste sättet att rengöra katalysatorn på är att utföra ångrengöring. Se beskrivning i avsnitt 4.2.2. Du kan också inspektera fronten på katalysatorn genom att ta bort askskålen och lysa upp i förbränningskammaren inifrån. Eventuella partiklar eller lukter som finns kvar efter ångrengöring avlägsnas genom att katalysatorn sköljs i varmt vatten enligt beskrivningen i avsnitt 4.2.6.



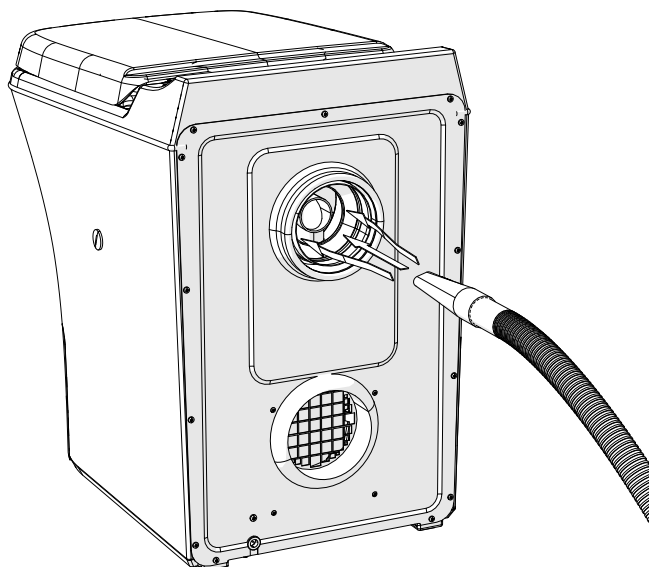
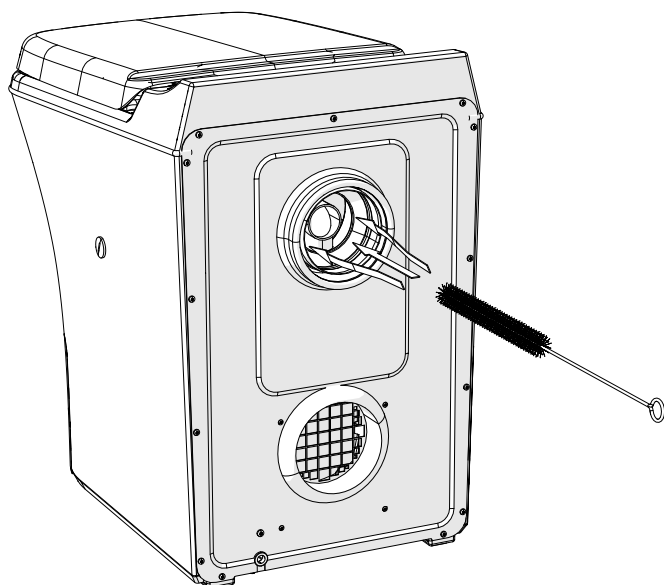
OBS!

Tydliga tecken på korrosion i eller deformation tyder på att katalysatorn behöver bytas. Kontakta din lokala serviceleverantör för att beställa service.

4.2.5 RENGÖRING AV RÖRANSLUTNING

Rekommenderad frekvens: minst efter vart 500:e toalettbesök.

1. Toaletten ska demonteras från skorstensröret och elkabeln ska dras ur.
2. Rengör röranslutningen med en flaskborste eller liknande. Det är viktigt att både röret och alla delar ända in till fläktbladen rengörs för att luftflödet ska bli optimalt.
3. Ta ut askskålen och avlägsna eventuell smuts från behållaren.
4. Använd en dammsugare för att få bort återstående smuts från frånlufts-röret och katalysatorn.
5. Anslut därefter toaletten till skorstensröret och elkabeln.
6. Montera askskålen och frontluckan.
7. Vi rekommenderar att man utför en ångrengöring enligt beskrivningen i avsnitt 4.2.2 efter att röranslutningen rengjorts.

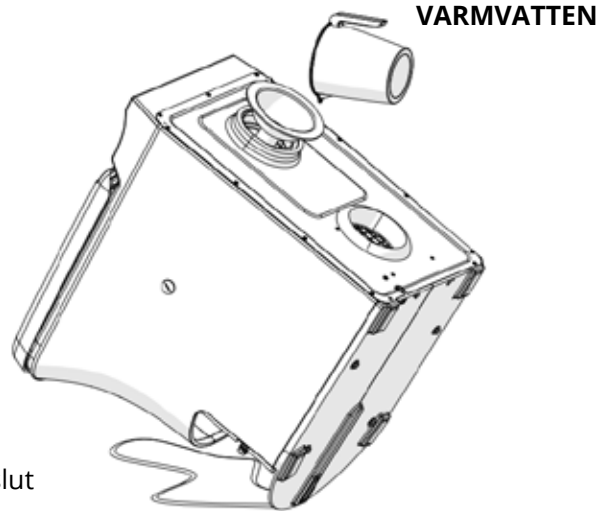


4.2.6 SKÖLJA KATALYSATORN MED VARMVATTEN

Rekommenderad frekvens: 1 gång om året eller maximalt efter vart 500:e toalettbesök.

Katalysatorn kan behöva spoljas av om alla partiklar eller lukter inte har avlägsnats av ångrengöringen. För detta krävs tunga lyft och ett utrymme som tål vattenspill. Utför steg 1–7 i "Rengöring av röranslutning" och följ sedan beskrivningen nedan.

1. Ställ toaletten på en plats som tål vatten, t.ex. där det finns en golvbrunn, utomhus eller i ett badkar. Använd den specialdesignade Cinderella-tratten eller en tratt som passar i det lilla röret. Luta toaletten och håll 2–3 liter hett vatten genom röret och katalysatorn. Det vatten som kommer ut ska vara rent när rengöringen är klar. Häll vid behov i mer vatten för att rengöra systemet.
2. Upprepa punkt 1 steg 4-5 gånger. När du är färdig skal vattnet vara rent och inga beläggningar eller andra hinder syns inuti katalysatorn (se avsnitt 4.2.4). Steg 1 ska upprepas 4-5 gånger även om vattnet är klart innan.
3. Montera därefter tillbaka toaletten på frånluftsroret och anslut elkabeln.
4. Montera askskålen och frontluckan.
5. Utför det prestandatest som beskrivs i avsnitt 2.8.



OBS!

Innan toaletten demonteras och systemet sköljs med varmvatten ska katalysatorn kontrolleras och ångrengöring utföras enligt beskrivningen i avsnitt 4.2.2. Om katalysatorn fortfarande är igensatt eller om det luktar illa vid förbränning ska systemet rengöras



OBSERVERA!

Det bästa är om två personer utför detta arbete, så att en kan hålla i toaletten medan den andra spoljar ur katalysatorn.

5. FELSÖKNING OCH VANLIGA FRÅGOR



VARNING!

Service ska alltid utföras i enlighet med alla gällande nationella och lokala bestämmelser. Om du är osäker på vad som gäller där du bor bör du kontakta närmaste återförsäljare eller servicerepresentant. Strömmen ska kopplas bort när service och underhåll utförs på toaletten.

Felsökning online

Driftstatus för toaletten visas på kontrollpanelen via ljud- och ljussignaler. Information om driftavbrott och funktionsfel fås via olika ljud- och ljussignaler. Se beskrivningen i avsnitt 5.1 i denna bruksanvisning. Vi har samlat de vanligaste felen/problemen i en felsökningsguide på webben så att du enkelt kan få svar på vad det är för fel på din toalett samt förslag på hur du själv kan lösa problemet.

Återställa toalettsystemet

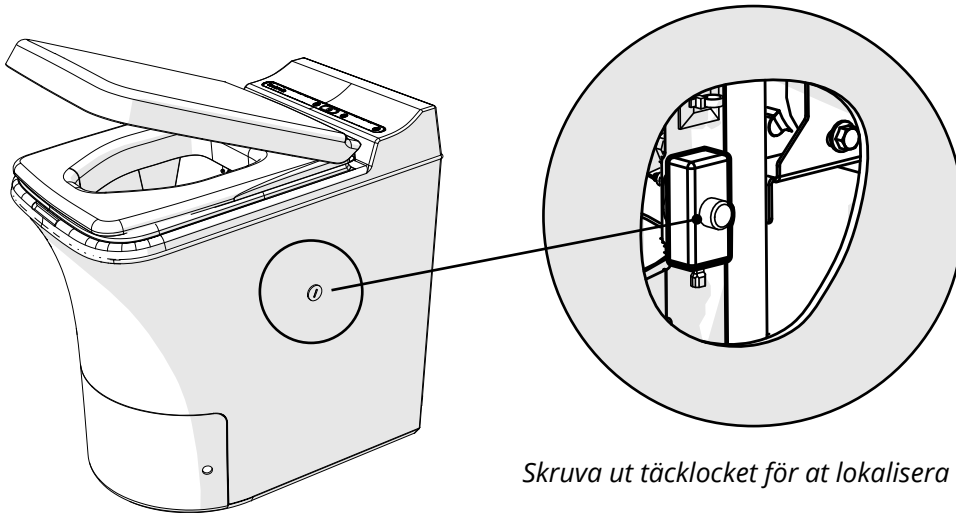
Under rengöring och felsökning kan det vara en bra idé att nollställa elektroniken. Det gör du genom att trycka in startknappen. Håll in knappen i cirka åtta sekunder tills det hörs ett långt pip och släpp sedan knappen.

Felmeddelanden

När lamporna blinkar bör du ta reda på vad det betyder och åtgärda felet innan toaletten används igen. För att undvika skador och onödiga reparationskostnader bör du omedelbart åtgärda eventuella problem som exempelvis dålig lukt, dålig förbränning eller systemfel.

Värmesäkringen löser ut

Värmesäkringen löser ut om temperaturen inuti toaletten är för hög. Detta inträffar normalt om luftflödet inte är tillräckligt eller om det finns igensättningar i till- eller frånluftskanalerna. Det är därför viktigt att kontrollera att tilluftslösningen uppfyller specifikationerna och att frånluftsröret är fritt från hinder och inte igensatt. Kontrollera katalysatorn visuellt och utför ångrengöring enligt beskrivningen i avsnitt 4.2.2.



Skruva ut täcklocket för att lokalisera värmesäkringen

Under strömavbrott

Om en förbränningsprocess pågår när det blir strömavbrott kan det börja lukta från toaletten och ryka från skorstenen. Fläkten körs på batteri tills toaletten svalnat. Eftersom förbränningen inte återstartar automatiskt när strömmen är tillbaka måste du starta en ny förbränningscykel manuellt. Om strömavbrottet väntas pågå i längre än två timmar är det viktigt att tömma toaletten på eventuellt avfall eftersom den annars kan ta skada. Använd aldrig toaletten under ett strömavbrott.

Dålig lukt inomhus

Lukter kan uppstå av olika anledningar:

1. Om en toalettpåse inte används vid varje toalettbesök eller om påsen används felaktigt.
2. Luftflödet kan vara blockerat. Kontrollera frånluftsroret och regnhatten.
3. Kontrollera att produkten har installerats i enlighet med monteringsanvisningarna. Om det inte flödar tillräckligt med luft genom frånluftsroret kan det uppstå övertryck och dålig lukt.
4. Frånluftsroret kan vara igensatt. Se avsnitt 4.2.5.
5. Katalysatorn kan vara igensatt. Se avsnitt 4.2.4.
6. Frånluftsroret är inte ordentligt fastsatt i toaletten. Se avsnitt 2.4.3.

Dålig lukt utomhus

Orsaken kan vara densamma som inomhus, eller:

1. Katalysatorn har inte uppnått driftstemperatur. När toaletten är kall kan det ta några minuter innan katalysatorn uppnår en temperatur då den börjar fungera som avsett.
2. Katalysatorn kan ha korroderat eller deformerats. Kontakta din serviceleverantör.

Överspänning

Om överspänning uppstår, till exempel under ett åskoväder, kommer toaletten automatiskt att nollställas och en ny förbränning måste då startas manuellt.

5.1 FELSÖKNINGSTABELL

FEL	MEDDELANDE PÅ DISPLAY	RÖD LAMPA	GUL LAMPA	GRÖN LAMPA	LJUD	ÅTGÄRD
Askskålen behöver tömmas	Töm askskålen	BLINKAR växelvis	BLINKAR växelvis	LYSER STADIGT	3 PIP	1 Ta ut och töm askskålen. * Toaletten ska vara ansluten till 230V.
Askskålen behöver tömmas. Toaletten låst.	Toalett spärrad askskål full	LYSER KONSTANT	LYSER KONSTANT	LYSER KONSTANT	3 PIP 10 SEKUNDERS MELLANRUM	1 Ta ut och töm askskålen. * Toaletten ska vara ansluten till 230V.
Ingen ström-försörjning		AV	AV	AV		1 Kontrollera att toaletten är ansluten till 230V AC.
Fel på ventilationsfläkt	Fel på fläkt	BLINKAR	AV	BLINKAR	10 PIP	1 Kontrollera att fläktbladen kan rotera fritt. 2 Nollställ toaletten (håll ner start). 3 Öppna locket så att den röda lampan blinkar, stäng locket och tryck på start. Ring support om felet kvarstår.
Fel på luckmekanism	Fel på luckmekanism	BLINKAR	AV	LYSER STADIGT	10 PIP	1 Nollställ toaletten om den är varm. 2 Öppna locket så att den röda lampan blinkar, stäng locket och tryck på start. 3 Om det inte lyckas – nollställ toaletten, sätt i en toalettpåse och håll tre koppar vatten i den, stäng locket och tryck på start. 4 Om det inte lyckas – vänta tills toaletten svalnat (fläkten stannar). Återstarta sedan toaletten och ställ den i städläge, se avsnitt 4.2.3. 5 Avlägsna manuellt föremål som fastnat. Ring support om problemet kvarstår.
Askskålen i fel läge	Askskål i fel position	BLINKAR	BLINKAR	LYSER STADIGT	3 PIP	1 Justera askskålens läge, rotera åt vänster. 2 Kontrollera att stoppvinkeln på askskålen är intakt. 3 Kontrollera visuellt magneten på behållaren. Ring support om problemet kvarstår.
Värmekretsbrött	Fel på värmekrets	AV	BLINKAR	LYSER STADIGT	KONSTANTA PIP	1 Nollställ toaletten. 2 Kontrollera värmesäkringen på toalettens högra sida. Skruva loss den grå pluggen och tryck in säkringen med fingret. Använd inte något vasst föremål. 3 Om säkringen löst ut hörs ett klick. Se avsnitt 5. 4 Om säkringen inte var problemet ska toaletten nollställas och därefter startas. Upprepa några gånger. Ring support om problemet kvarstår.
Toalettlock-sensorn reagerar inte	Locket är öppet	BLINKAR	AV	LYSER STADIGT	INGET	1 Kontrollera magneten på insidan av toalettlocket och stäng locket. Ring support om problemet kvarstår.
Fel på temperatur-sensor	Fel på temperatur-sensor	AV	BLINKAR	BLINKAR	KONSTANTA PIP	1 Nollställ toaletten. 2 Öppna locket så att den röda lampan blinkar, stäng locket och tryck på start. 3 Ring support om problemet kvarstår.
Oläsbart/inget meddelande på displayen	Oläslig/tom display					1 Dra ur elkabeln och vänta i 5 minuter. 2 Sätt i kontakten och starta om toaletten. 3 Ring support om problemet kvarstår.

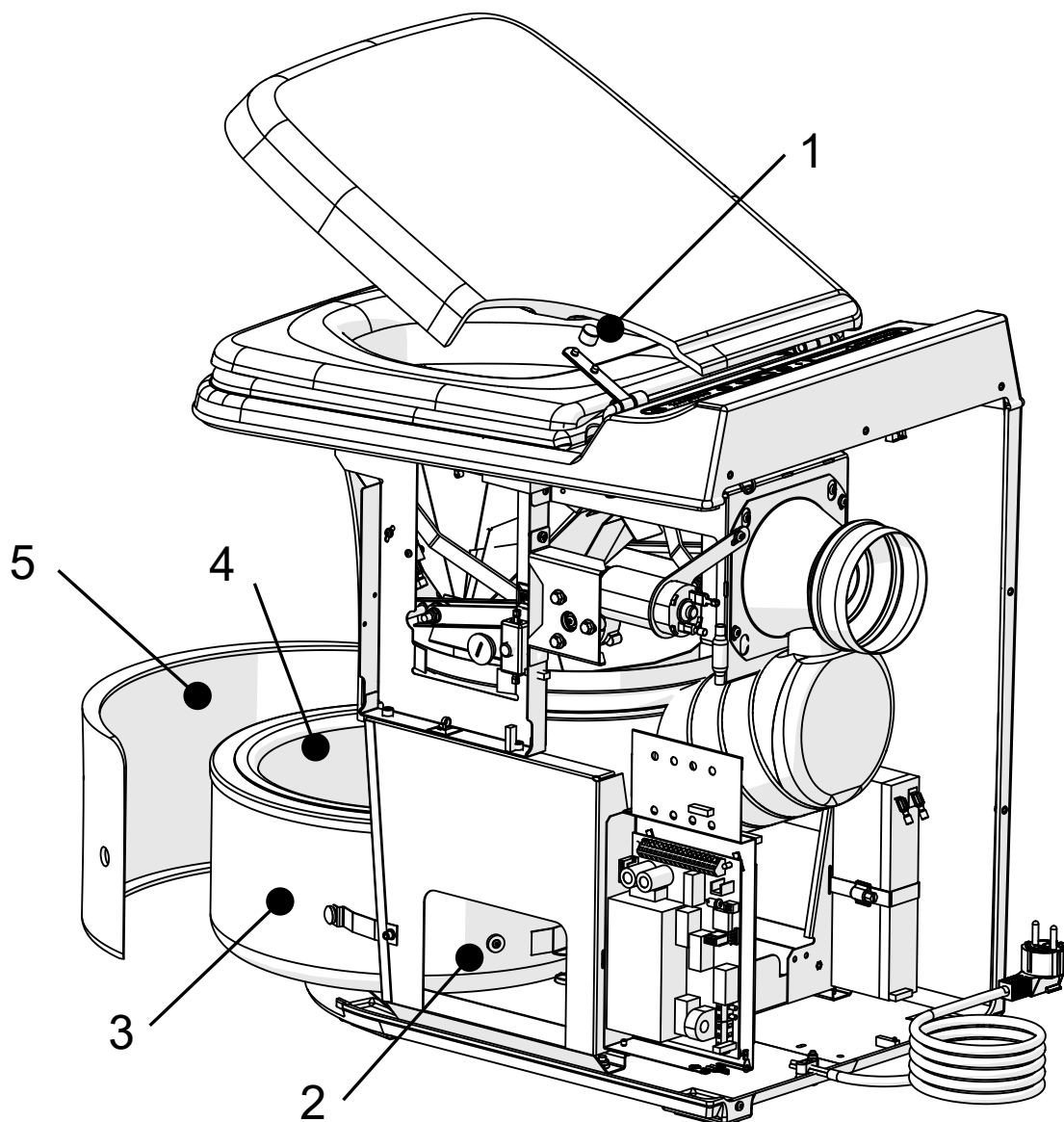


OBS!

Cinderella har utvecklat en digital felsökningsmodul som finns på vår webbplats. Modulen fungerar som en guide och ett komplement till felsökningstabellen. Du hittar den på www.cinderellaeco.com

6. REPARATIONER OCH RESERVDELAR

6.1 LISTA ÖVER RESERVDELAR



ID	PART DESCRIPTION	ART. NO
1	Magnet 14x10 mm	100433
2	Magnet 14x7 mm	100065
3	Askbehållare	100715
4	Askskålens insats	100014
5	Frontlucka	100077

6.2 TEKNIK OCH FUNKTION

Cinderellaprodukten är utformad för att vara felsäker. Om en komponent fungerar felaktigt eller det förekommer felsignaler försätts toaletten i säkerhetsläge. Det innebär att det inte går att starta en förbränning och ett felmeddelande visas på displayen. Alla komponent- och/eller signalfel registreras och systemet försätts i säkerhetsläge.

Produkten är utrustad med magnetsensorer som kontrollerar både toalettlocket och askskålen. Dessa sensorer är normalt öppna och sluts när de kommer i kontakt med magneterna på utsidan av behållaren respektive på undersidan av toalettlocket.

När locket fälls upp börjar fläkten att ventilera systemet. Efter varje användning startas en ny förbränning när startknappen trycks in på kontrollpanelen. Toalettpåsen med innehåll faller ner från toalettskålen till förbränningskammaren, där det sker en säker förbränning i hög temperatur.

Luckmekanismen styrs av två mikrobrytare, en ovanpå toaletttramen och registrerar när luckan är i öppet läge, och en nedtill på framsidan och registrerar när luckan är i stängt läge.

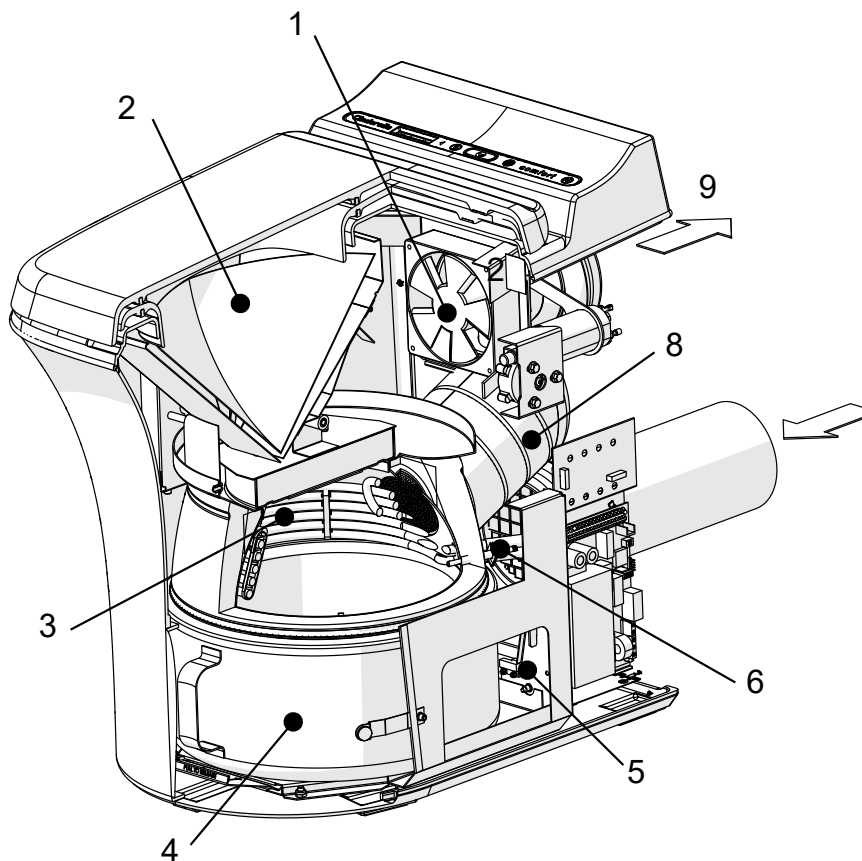
Det syre som krävs för en effektiv förbränning kommer från den luft som tillförs till toaletten. Värmen förs ut genom frånluftsroret. All rök och ånga leds genom en värmeaktiverad platinakatalysator, vilket minskar utsläppen och lukten.

Temperaturen inuti förbränningskammaren övervakas av en temperatursensor som sitter inuti kammaren, medan temperaturen innanför toalettens skal övervakas av en termostat av bimetall som sitter monterad innanför toaletttramen.

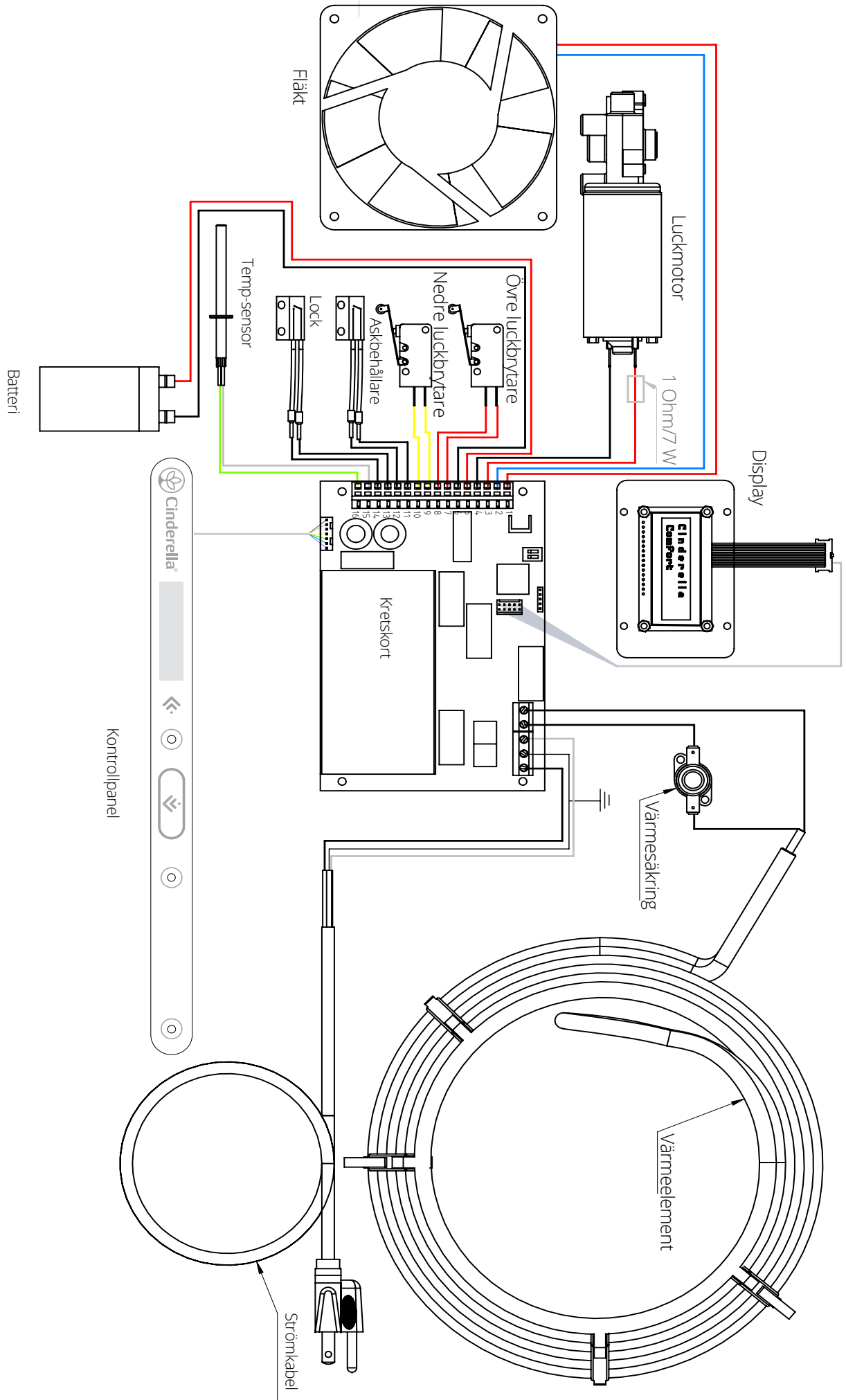
Förbränningsprocessen kan ta 40–180 minuter och den kontrolleras automatiskt av sensorer. Toaletten kan användas även när förbränning pågår. Förbränningsprocessen pausas när locket öppnas och återaktiveras automatiskt när locket stängs. Det finns flera säkerhetsfunktioner som garanterar en säker drift. Se avsnitt 3.4 i denna bruksanvisning.

6.3 TEKNISK ORIENTERING

ID	BESKRIVNING
1	Axiell fläkt
2	Toalettpåse placerad i skål
3	Värmeelement
4	Askbehållare
5	Magnetsensor
6	Temperatursensor
7	Luftintag
8	Katalysator
9	Frånluft



6.2 KOPPLINGSSCHEMA



7. GARANTI

Vad omfattas av garantin?

Denna garanti omfattar material- och tillverkningsfel på Cinderellas förbränningstolett i enlighet med villkoren samt under den period och med de undantag som anges nedan.

Vad omfattas inte av garantin?

Garantin täcker inte normalt slitage eller skador som orsakats av olyckor (inklusive brand, översvämning, hårt väder eller andra naturhändelser), felaktig användning, underlåtenhet att följa tillverkarens instruktioner eller otillräckligt underhåll. Följdsador täcks inte av denna garanti. Cinderella Eco Group erbjuder ingen "på plats"-garanti. Det innebär att toaletten måste transporteras till en auktoriserad serviceverkstad för service. Om detta inte är möjligt kan serviceföretaget ta ut en transportavgift.

Hur länge gäller garantin?

För konsumenter gäller garantin i tre (3) år från inköpsdatum. Vid professionellt bruk gäller ett (1) års garanti.

Hur hanterar Cinderella Eco Group garantiärenden?

Om du lämnar in ett garantianspråk som är giltigt enligt dessa villkor kommer Cinderella Eco Group efter eget gottfinnande att antingen reparera, ersätta eller återbetala inköpspriset på din Cinderella förbränningstolett.

Hur beställer jag service?

Kontakta din återförsäljare eller en auktoriserad serviceverkstad i det land där du bor. Vilka servicealternativ som finns tillgängliga skiljer sig mellan olika länder.

Du kan behöva lämna in relevanta inköpsbevis när du åberopar garantin. Mer information om garantin finns på vår webbplats: www.cinderellaeco.com

Cinderella Eco Group AS

Sjøvikvegen 67, 6475 Midsund, Norge
www.cinderellaeco.com

SISÄLTÖ

1. YLEISTÄ	3
1.1 JOHDANTO	3
1.2 MÄÄRÄYSTEN MUKAINEN ASENNUS	3
1.3 OHJEKIRJA	3
1.4 VASTUUVARAUMA	3
1.5 HYVÄKSYNNÄT JA SERTIFIKAATIT	3
1.6 KÄYTTÖYMPÄRISTÖ	3
1.7 HÄVITTÄMISTÄ KOSKEVAT TIEDOT	3
1.8 YLEISET TURVALLISUUSOHJEET	4
1.9 ARVOKILPI	5
2. ASENNUS	6
2.1 KÄYMÄLÄN JA OSIEN PURKAMINEN PAKKAUKSESTA	6
2.2 MITAT	6
2.3 CINDERELLA-KÄYMÄLÖIDEN ASENNUSSARJAT	7
2.4 ASENNUSOHJEET	8
2.4.1 OSIEN JA MATERIAALIEN TIEDOT	8
2.4.2 CINDERELLA-POLTTOKÄYMÄLÄN ASENNUS	8
2.4.3 SAVUHORMIN ASENNUS	9
2.4.4 VAAKASUUNTAISEN KORVAUSILMAPUTKEN ASENNUS	10
2.4.5 CINDERELLAN SAVUHORMIN HATUN ASENNUS	11
2.5 SÄHKÖTEKNISET TIEDOT JA VAATIMUKSET	11
2.6 ASENNUKSEN TARKISTUSLISTA	12
2.7 TOIMIVUUSTESTAUS	13
3. KÄYTTÖOHJEET	13
3.1 LAITTEEN KÄYTTÖTARKOITUS JA KÄSITTELY	13
3.2 YLEISTÄ TURVALLISUUSTIETOA	14
3.3 TURVATOIMET	14
3.4 CINDERELLA COMFORT -POLTTOKÄYMÄLÄN TURVALLISUUSOMINAISUUDET	14
3.5 TIETOA KÄYTTÄJÄLLE	15
3.6 OHJAUSPANEELI	16
3.7 CINDERELLA COMFORT -KÄYMÄLÄN KÄYTTÖ	17
3.8 ETULUUKUN JA TUHKASÄILIÖN KÄYTTÖ	18
3.9 PEREHDYTYS LAITTEISTON KÄYTTÖÖN	18
4. YLEISET HUOLTO-OHJEET	19
4.1 TUHKAN KOOSTUMUS	19
4.2 KUNNOSSAPITO	20
4.2.1 TUHKASÄILIÖN TYHJENNYS JA PUHDISTUS	20
4.2.2 KATALYSAATTORIN HÖYRYPUHDISTUS	20
4.2.3 KÄYMÄLÄN ALTAAN PUHDISTUS	21
4.2.4 KATALYSAATTORIN TARKISTUS	22
4.2.5 SAVUHORMIN LIITÄNNÄN PUHDISTUS	22
4.2.6 KATALYSAATTORIN HUUHTELU KUUMALLA VEDELLÄ	23
5. VIANETSINTÄ JA USEIN KYSYTTYÄ	23
5.1 VIANETSINTÄTAULUKKO	25
6. KORJAUS JA VARAOSAT	26
6.1 VARAOSALUETTELO	26
6.2 LAITTEISTOPROSESSIN YLEISKUVA	27
6.3 TEKNINEN PEREHDYTYS	27
6.4 KYTKENTÄKAAVIO	28
7. TAKUU	29

1. YLEISTÄ

1.1 JOHDANTO

Cinderella-polttokäymälän toimivuuden varmistamiseksi on huolehdittava riittävästä ilmanvaihdosta tämän ohjeen mukaisesti. Vääränlainen asennus saattaa johtaa toimintahäiriöön, kulumiseen tai hajunmuodostukseen, ja se mitätöi takuun. Polttokäymälän asennuksessa on noudatettava asennusmaan määräyksiä.

1.2 MÄÄRÄYSTEN MUKAINEN ASENNUS

Tämä laite on tarkoitettu virtsan ja ulosteen sekä pienten hygienia tuotteiden, kuten tamponien ja alkoholittomien vauvan tai kasvojen puhdistuspyyhkeiden polttamiseen.

1.3 OHJEKIRJA

Lue tämä ohjekirja huolellisesti ennen asennusta ja ensimmäistä käyttökertaa. Säilytä ohjeet myöhempää tarvetta varten. Jos luovutat polttokäymälän jollekulle muulle, toimita tämä ohjekirja sen mukana.

Tässä ohjekirjassa opastetaan tuotteen oikeanlainen asennus, käyttö ja huolto. Sekä asentajan että käyttäjän on tärkeää lukea tämä ohjekirja. Ohjekirja sisältää myös tietoa ammattilaisella teetettävistä ylläpito-, huolto- ja korjaustoimista.

Tämän asiakirjan digitaalinen versio ja lisätietoja on osoitteessa www.cinderellaeco.com

1.4 VASTUUVARAUMA

Tämä käyttöohje on laadittu asianmukaisten standardien ja määräyksien sekä nykyisen tekniikan mukaisesti. Cinderella Eco Group AS pidättää oikeuden tehdä sisältöön muutoksia milloin tahansa tuotteen ja turvallisuuden parantamiseksi.

Valmistaja ei vastaa vahingoista seuraavissa tilanteissa:

- Väärin tehty asennus
- Väärään jännitteeseen kytkemisestä aiheutuva tuotteen vahingoittuminen
- Tuotteeseen ilman valmistajan nimenomaista lupaa tehdyt muutokset
- Muu kuin tämän ohjekirjan mukainen käyttö
- Käyttö- ja huolto-ohjeiden laiminlyönti
- Määräysten vastainen käyttö
- Muiden kuin alkuperäisten suojaussien ja varaosien käyttö

1.5 HYVÄKSYNNÄT JA SERTIFIKAATIT

Cinderella Comfort -polttokäymälänä on NEMKOn perusteellisesti testaama eurooppalaisen sähköturvallisuusstandardin ja sähkömagneettisen yhteensopivuusstandardin mukaisesti.

1.6 KÄYTTÖYMPÄRISTÖ

- Käyttölämpötila: -20...+40 °C
- Käyttökorkeus: Testattu 2 500 metrin korkeudessa

1.7 HÄVITTÄMISTÄ KOSKEVAT TIEDOT

Tätä tuotetta ei saa hävittää kotitalousjätteen mukana. Toimita laite SER-keräyspisteverkostoon, jossa se kierrätetään.



HUOMIO!

Cinderella-polttokäymälä tulee asentaa siten, että vähimmäisetäisyys palaviin rakenteisiin on: sivuilla 50 mm, takana 50 mm.

1.8 YLEISET TURVALLISUUSOHJEET



VAARA!

Turvallisuusohjeet: Ohjeiden huomiotta jättäminen voi aiheuttaa vakavan vamman tai hengenvaaran.



VAROITUS!

Turvallisuusohjeet: Ohjeiden huomiotta jättäminen voi aiheuttaa vakavan vamman.



HUOMIO!

Ohjeiden huomiotta jättäminen voi aiheuttaa aineellisia vahinkoja tai heikentää tuotteen toimivuutta.



HUOMAUTUS!

Lisätietoa tuotteen käyttämisestä.



VAARA!

- Älä suihkuta aerosoleja käynnissä olevan laitteen läheisyydessä.
- Älä säilytä herkästi syttyviä materiaaleja laitteessa tai sen lähellä.
- Älä sijoita esineitä laitteen päälle tai nojaamaan laitteeseen.
- Älä tee laitteeseen muutoksia.



VAARA!

- Jos polttokäymälässä on näkyviä vaurioita, älä käytä sitä.
- Jos polttokäymälän virtajohto on vioittunut, valmistajan, asiakaspalvelun tai muun koulutetun ammattilaisen on vaihdettava se uuteen vaaratilanteiden ehkäisemiseksi.
- Polttokäymälän korjaustyöt saa tehdä vain koulutettu ammattilainen. Väärin tehdyistä korjaustöistä voi aiheutua vakavia vaaratilanteita.
- Polttokäymälää saa käyttää vain sen takapuolella olevaan arvokilpeen merkityllä jännitteellä.



VAROITUS!

- Puristumisvaara! Älä laita kättä saranalle tai istuinkansien alle kansien ollessa auki, sillä istuinkannet eivät sulkeudu pehmeästi.
- Älä tyhjennä tuhkasäiliötä sisällön ollessa kuumaa.
- Varmista ennen käynnistämistä, että virtajohto ja pistoke ovat kuivat.
- Älä käytä tätä tuotetta, ennen kuin olet lukenut tämän käyttöohjeen huolellisesti ja ymmärrät kaikki sen sisältämät ohjeet ja turvallisuussäännöt. Sästä tämä käyttöohje ja palaa siihen säännöllisesti, jotta osaat käyttää laitetta turvallisesti ja neuvoa mahdollisia muita käyttäjiä.







HUOMIO!

- Käymälää kannettaessa sitä tulee pitää kiinni rungosta. Älä kannata virtajohdosta, etuluukusta, istuinkansista tai poistoaukosta.
- Ylikuumenemisvaara! Huolehdi aina riittävästä ilmanvaihdosta, jotta polton aikana syntyvät lämpö ja palokaasut pääsevät haihtumaan savuhormin kautta. Huolehdi järjestelmän hyvästä ilmankierrosta. Huolehdi aina käymälän riittävästä ilmanvaihdosta. Varmista, että käymälä on riittävän etäisyyden päässä seinistä ja muista kohteista, jotta ilma pääsee kiertämään.

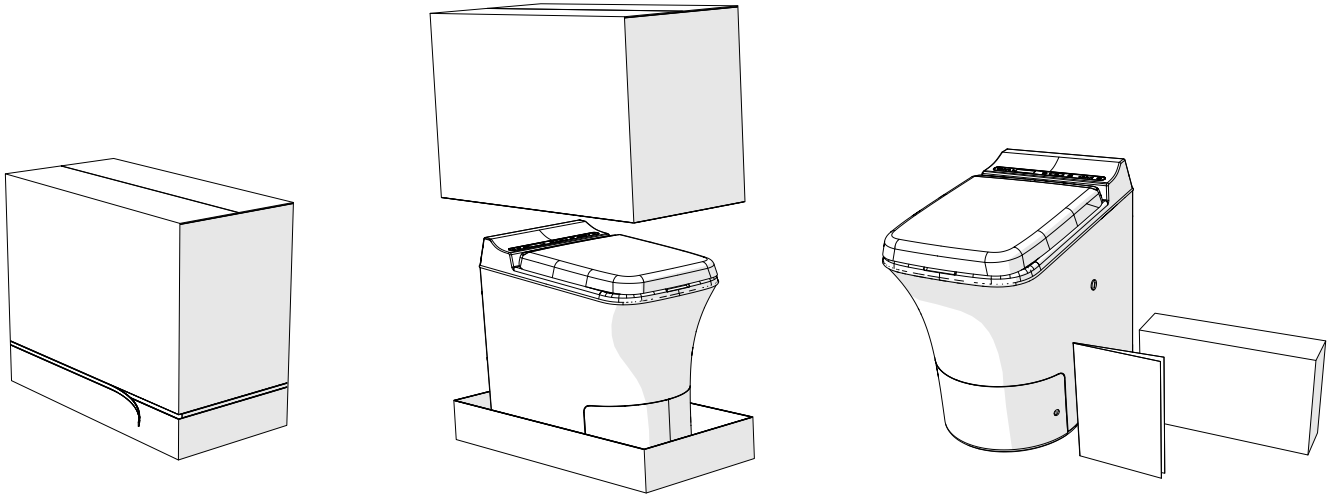
1.9 ARVOKILPI

Arvokilpi sijaitsee polttokäymälän takalevyssä. Se sisältää laitteen mallin ja tyypin, tekniset tiedot ja tukitiedot. Näitä tietoja tarvitaan, kun otat yhteyttä asiakaspalveluun tai tilaat varaosia.

<p>MANUFACTURER</p>  <p>CINDERELLA ECO GROUP AS Sjøvikvegen 67, 6475 Midsund, NORWAY</p> <p>For sales and support call +47 77711500 or visit our web www.cinderellaeco.com</p> <p>CINDERELLA COMFORT MODEL: EM01CS02 - EU SERIAL:</p>	<p>Appliance Specifications</p> <p>VOLTAGE..... 220-240 V AC 50-60Hz CURRENT 9 A HEATING ELEMENT:..... 2000W EL MOTOR: 12 V DC BATTERY: 12 V DC 2,6 Ah FAN BLOWER..... 12 V DC PROTECTION CLASS..... IP 34 CAPACITY..... 4 VISITS PR. HOUR CIRCUIT BOARD..... E5 YEAR OF MANUFACTURING..... 2023 DESIGNED FOR STATIONARY STRUCTURES</p>	  
---	--	---

2. ASENNUS

2.1 CINDERELLA-POLTTOKÄYMÄLÄN PURKAMINEN PAKKAUKSESTA



HUOMAUTUS!

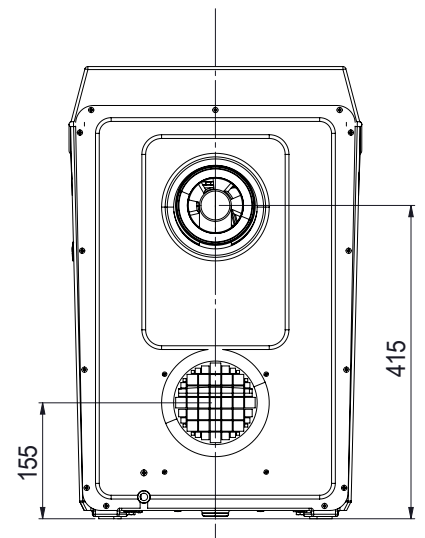
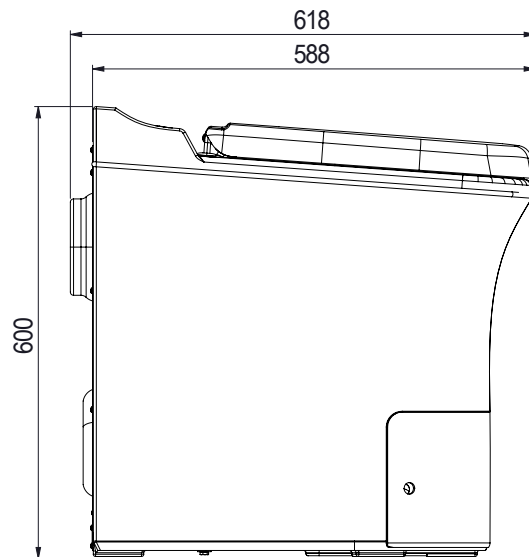
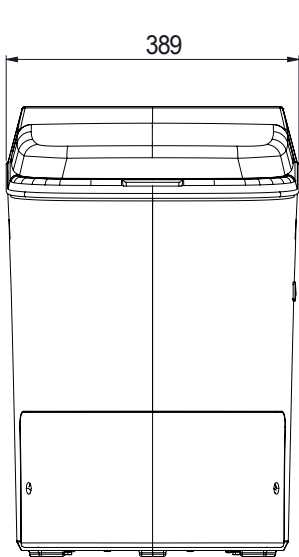
Avaa Cinderella-polttokäymälän pakkaus sen alaosassa olevasta avausnauhasta. Avaa nauha koko matkalta ja poista laatikon yläosa.

TOIMITUSSISÄLTÖ	MÄÄRÄ
Cinderella Comfort	1
Suojapussit	100
Ohjekirja	1

2.2 MITAT

Korkeus	600 mm
Istuinkorkeus	540 mm
Leveys	390 mm
Syvyys	590 mm

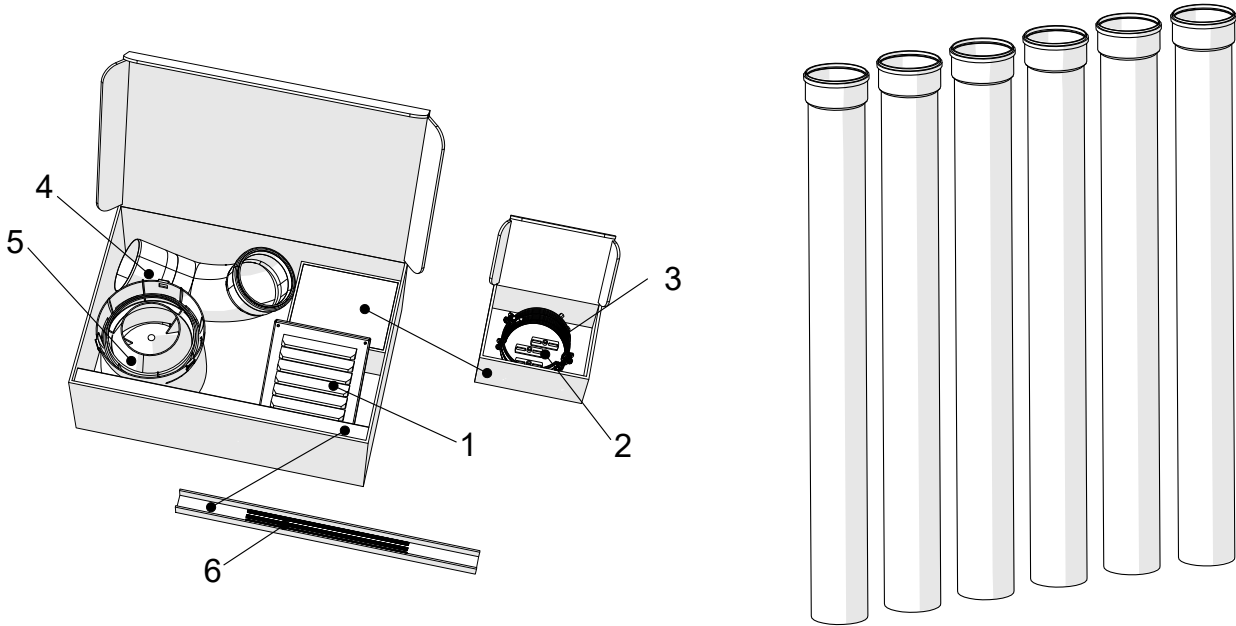
Ilmanvaihdon putken ulkoläpimitta	110 mm
Savuhormin keskikohdan korkeus	415 mm
Korvausilmaputken keskikohdan korkeus	155 mm
Paino	34 kg



2.3 CINDERELLA-KÄYMÄLÖIDEN ASENUSSARJAT

Cinderella Arctic -asennussarja: Cinderella on kehittänyt asennussarjan, joka soveltuu erityisesti kylmissä olosuhteissa tehtäviin asennuksiin. Tämä sarja on kehitetty Cinderella-polttokäymälän asennukseen, ja siinä käymälän kuoren sisään lisätään eriste, joka estää veden tiivistymistä ja jäätymistä laitteeseen. Se ehkäisee tuotteen ja sen sisäpuolen kulumista. Lisätietoja saat jälleenmyyjältä tai osoitteesta www.cinderellaeco.com.

Cinderella-asennussarja: Suosittelemme käyttämään polttokäymälän asennuksessa Cinderella-asennussarjaa. Tämä asennussarja sisältää kaikki tarvittavat osat käymälän asentamiseen, polton optimointiin ja käymälän ihanteellisen toiminnan takaamiseen. Asennussarja koostuu kahdesta pakkauksesta. Pakkaus 1 sisältää optimoidun savuhormin hatun ja mutkaputken, jotka parantavat virtausta ja polton tehokkuutta. Lisäksi se sisältää korvausilmaputken tuulisuojan sekä putkien asennuksessa käytettävät putket ja kiristimet. Pakkaus 2 sisältää laadukkaat 6 x 110 mm:n UV-stabiloidut muoviputket korvaus- ja poistoilmanvaihdon asentamiseen.



CINDERELLA-ASENUSSARJA PAKKAUS 1		MÄÄRÄ
1	Seinäventtiili tuloilmalle	1
2	Seinäkiinnike	3
3	Tukikiristin	3
4	Mutkaputki 87	1
5	Savuhormin hattu	1
6	Kierretanko	3

CINDERELLA-ASENUSSARJA PAKKAUS 2		MÄÄRÄ
1	Savuhormiputki 1015 mm uros-naaras	6



HUOMAUTUS!

- Tässä ohjekirjassa kuvataan polttokäymälän asennus Cinderella-asennussarjan avulla. Jos haluat käyttää Cinderella-polttokäymälän asennuksessa muita kuin alkuperäisiä putkia ja osia, niiden tulee täyttää kohdassa 2.4.1 Osien ja materiaalien tiedot olevat vaatimukset.
- Cinderella-polttokäymälän asianmukaisen toiminnan varmistamiseksi on huolehdittava riittävästä ilmanvaihdosta tämän ohjekirjan ohjeiden mukaisesti. Valmistajan ohjeista poikkeava asennus ja muiden kuin vaatimukset täyttävien osien käyttäminen laitteen asentamisessa aiheuttaa laitteen toimintahäiriöitä, kulumista ja hajunmuodostusta sekä mitätöi takuun.

2.4 ASENNUSOHJEET

2.4.1 OSIEN JA MATERIAALIEN TIEDOT

OSA	TEKNISET TIEDOT
Ilmanvaihtoputket	Cinderella Comfort -polttokäymälän asennuksessa tulee käyttää 110 mm:n putkia, joissa on sileä sisäpinta ja joiden sisähalkaisija on vähintään 102 mm. Putken materiaalin tulee kestää yli 100 °C:n lämpötilaa ja olla mieluiten PP- tai CPVC-materiaalia. Suosittelemme käyttämään Cinderellan alkuperäisiä PP-putkia.
Mutkaputki (poistoilma)	Cinderella Comfort -polttokäymälän asennuksessa tulee käyttää sileää mutkaputkea, joka rajoittaa ilmavirtaa mahdollisimman vähän. Suosittelemme käyttämään Cinderellan alkuperäistä mutkaputkea 87°.
Savuhormin hattu	Cinderella Comfort -polttokäymälän asennuksessa on käytettävä savuhormin hattua, joka estää sadeveden pääsyn käymälään ja joka rajoittaa ilmavirtaa mahdollisimman vähän. Cinderella-polttokäymälän ilmanvaihdossa ei saa käyttää tuulituulettimia tai vastaavia. Suosittelemme käyttämään Cinderellan alkuperäistä savuhormin hattua.



HUOMAUTUS!

- Savuhormin sisäpinnan tulee olla sileä. Se ei saa olla kohokuvioitu tai uritettu.
- Mutkaputki tulee asentaa siten, että siihen pääsee käsiksi ja tyhjennysputki voidaan huuhdella ja poistoputki puhdistaa.
- Cinderella Comfort soveltuu kylpyhuoneissa ja märkätiloissa käytettäväksi (IP-luokka 34), mutta käymälän ulkopintoja ei saa altistaa vesiroiskeille.
- Käymälä tulee sijoittaa tukevalle ja tasaiselle alustalle. Cinderella-polttokäymälän saa asentaa lämmitetylle lattialle.

2.4.2 CINDERELLA-POLTTOKÄYMÄLÄN ASENNUS

Cinderella-polttokäymälän toimivuuden varmistamiseksi on huolehdittava riittävästä ilmanvaihdosta tämän ohjeen mukaisesti. Vääränlainen asennus saattaa johtaa toimintahäiriöön, kulumiseen tai hajunmuodostukseen, ja se mitätöi takuun. Lue koko asennusohje huolellisesti kohta kohdalta ennen asentamisen aloittamista. Asennuksen saa tehdä vain koulutettu ammattilainen, ja asennus tulee tehdä paikallisten määräysten mukaisesti.



HUOMIO!

Cinderella Comfort -käymälällä on oltava oma poistoilmaputkensa, eikä Cinderella Comfort -käymälän ilmanvaihtoon saa asentaa seuraavia:

- Tuulituulettimet ja vastaavat korvaamaan piipunhattua
- Cinderella-polttokäymälän asennuksessa ei saa käyttää taipuisia putkia.
- Putket, joiden sisähalkaisija on alle 102 mm.
- Mutkaputken lisäksi asennuksessa ei saa käyttää muita 90 asteen mutkaputkia.
- Savuhormissa ei saa käyttää verkkoa, sillä se voi rajoittaa järjestelmän ilmanvaihtoa.



HUOMIO!

- Laite tulee asentaa käyttömaan määräysten mukaisesti. Suosittelemme kääntymään jälleenmyyjän puoleen asennuksen suunnittelussa ja asentamisessa.
- Mahdolliset katon läpiviennit on tehtävä rakentamismääräysten mukaisesti.

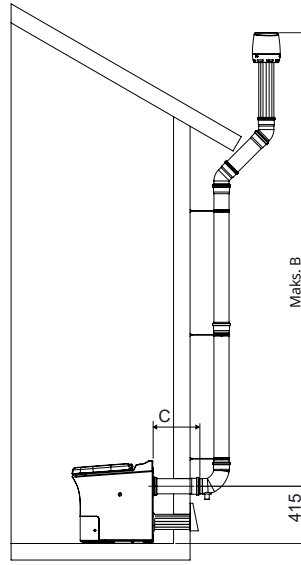
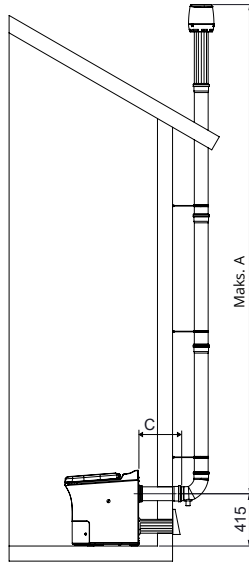
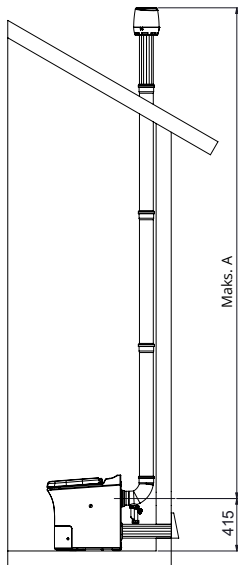


VAROITUS!

Tarkista aina ennen läpivientien tekemistä, että kohdassa ei ole sähköjohtoja tai vesiputkia.

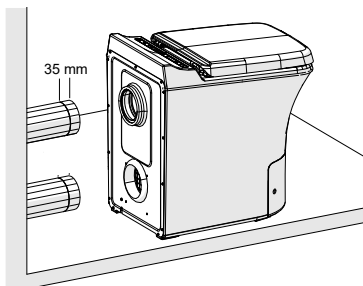
2.4.3 SAVUHORMIN ASENNUS

SAVUHORMIN Ø	PUTKEN SUUNTA	KUVASSA	MUTKAT	PUTKEN ENIMMÄISPITUUS
110 mm	Savuhormi (vaaka)	C	(ei sallittu)	1000 mm
110 mm	Savuhormi (pysty)	A	-	6000 mm
110 mm	Savuhormi (pysty)	B	2 x 45° mutka	5000 mm



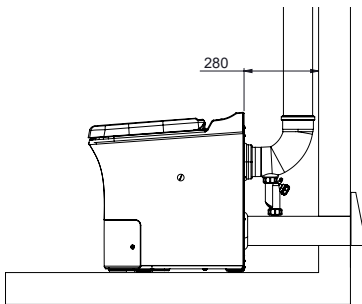
HUOMAUTUS!

Savuhormin liitännän keskikohdan tulee olla 415 mm lattian pinnan yläpuolella.



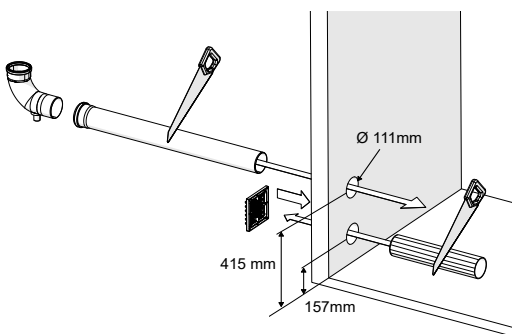
HUOMAUTUS!

Putken pituutta määritettäessä on otettava huomioon, että putki menee 35 mm laitteen liitoskohdan sisään.



HUOMAUTUS!

Pystyputken asennuksen yhteydessä on otettava huomioon, että laitteen vähimmäisetäisyyden seinästä on oltava 280 mm.



HUOMAUTUS!

Cinderella-asennussarja sisältää viisi 1015 mm:n putkea poistoilmavaihdon asentamiseen. Putkien mukana toimitetaan asennusta helpottavat istukat ja tiivisteet. Jos putki asennetaan ulkoseinään, se on asennettava ulkoa sisälle päin.



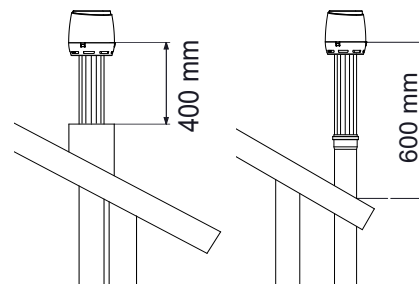
HUOMAUTUS!

Järjestelmän savuhormin liitäntä on suunniteltu liitettäväksi 110 mm:n laadukkaisiin muoviputkiin, joiden sisäläpimita on vähintään 102 mm. Putken tulee mennä 35 mm käymälän savuhormin liitäntään. Putkea liitettäessä ei saa käyttää liiallista voimaa, sillä se voi vahingoittaa laitetta.



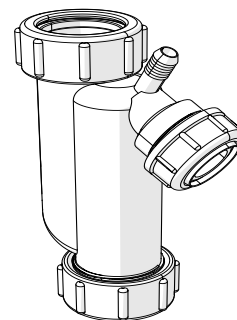
HUOMAUTUS!

- Katon päällä putken on aina oltava pystysuorassa ja putken pään on oltava vähintään 600 mm katon pinnan yläpuolella. Jos putki on koteloitava (esimerkiksi metallikotelolla), putken pään on oltava vähintään 400 mm kotelon yläpuolella.
- Jos asennus tehdään alueella, jolla lumikertymä on todennäköisesti suuri, putken pää voi tulla korkeammallekin, ja putki on kiinnitettävä tukevasti.



HUOMAUTUS!

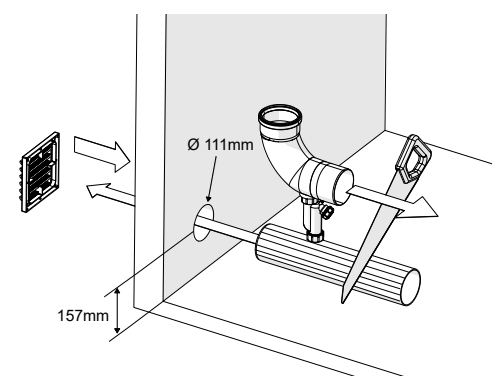
Cinderellan valikoimassa on asennussarjan mukana toimitettavaan mutkaputkeen sopiva kondenssiveden keräin, jonka voi ostaa Cinderellan jälleenmyyjältä. Jos asennus tehdään sisältä päin, kondenssiveden keräin on liitettävä mutkaputkeen, jotta kondenssi- ja sadevettä ei kerry lattialle. Jos kondenssivettä ei kerätä ja säiliötä tyhjennetä säännöllisesti, lattia voi vaurioitua.



2.4.4 VAAKASUUNTAISEN KORVAUSILMAPUTKEN ASENNUS

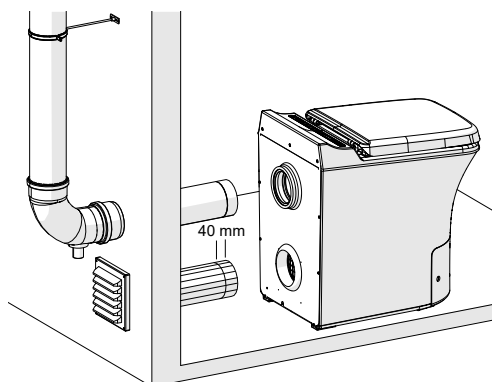
Polttokäymälän korvausilman riittävydestä on huolehdittava. Siksi suosittelemme asentamaan Cinderella Comfortiin korvausilmaputken. Korvausilman syöttäminen ulkoa laitteeseen on välttämätöntä jäähdytyksen, ilmankierron ja polttoprosessissa tarvittavan hapen saamiseksi. Jos korvausilman tai hapen saanti on heikkoa, polttotulokset ovat huonot, tehokkuus heikkenee ja laite voi ylikuumentua. Heikot polttotulokset aiheuttavat ajan mittaan laitteen kulumista ja mitätöivät takuun.

KORVAUSILMAPUTKEN ULKOHALKAISUJA	KORKEUS, IMUPUTKEN PUOLIVÄLI	KORVAUSILMAPUTKEN SUUNTA	PUTKEN ENIMMÄISPITUUS
110 mm	155 mm	Vaaka	1000 mm



HUOMAUTUS!

Korvausilmaputken liittäminen keskikohdan tulee olla 155 mm lattian pinnan yläpuolella.



HUOMAUTUS!

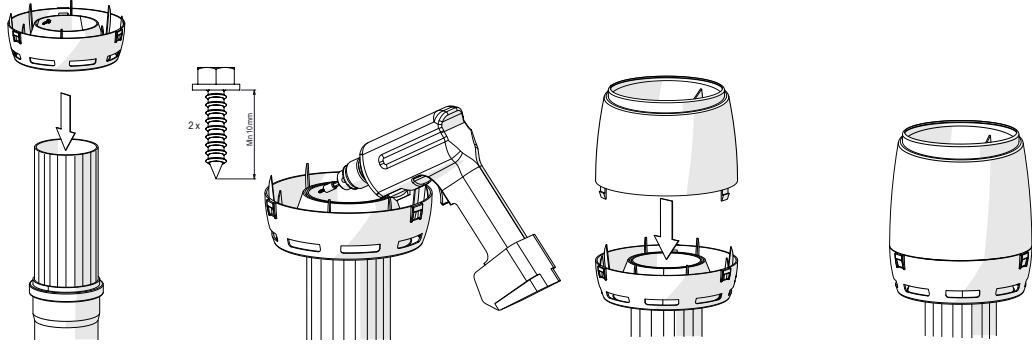
Leikkaa yksi putkista halutun pituiseksi tuloilma. Varmista, että käytät osaa putki ilman kaulusta. Huomaa, että putki menee sisään 40 mm laitteen tuloliittimeen.

2.4.5 CINDERELLAN SAVUHORMIN HATUN ASENNUS



HUOMAUTUS!

Cinderella-asennussarja sisältää savuhormin hatun, joka takaa ihanteellisen ilmanvaihdon ja tehostaa laitteen toimintaa. Hattu koostuu pohjaosasta ja hatusta. Pohjaosa voidaan kiinnittää putkiin ruostumattomilla teräsruuveilla tai liimalla, mikä helpottaa asentamista ja tekee ilmanvaihtoputkista huoltovapaita. Käytä leikkauksen kauluksetonta osaa putki vaakasuuntaisen hormiputken asentamisesta viimeisenä tuuletusputken osasta, tätä käytetään liitintänä savuhormin liittimen korkkiin.



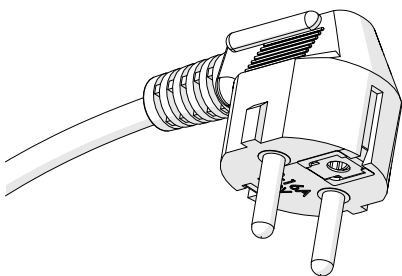
2.5 SÄHKÖTEKNISET TIEDOT JA VAATIMUKSET



VAROITUS!

- Tämän laitteen asennuksessa on noudatettava kansallisia ja paikallisia sähköasennuksia koskevia määräyksiä.
- Laite on liitettävä erilliseen maadoitettuun piiriin, jossa on oikea jännite, taajuus ja virta ja joka on suojattu asianmukaisella sulakkeella.
- Vaadittu jännite, taajuus ja virta löytyvät tästä ohjekirjasta ja tuotteen takana olevasta arvokilvestä.

Tehovaatimukset	SYÖTTÖTEHO	VIRTA	SULAKE
	220–240 V AC	9 A	10 A
Tehonkulutus	VALMIUSTILA		POLTTOTILA
	0,5 W		2000 W
Napaisuus	JOHDON POIKKIPINTA	JOHDON PITUUS	PISTOKETYYPPI
	1,5 mm ²	2,3 m	Tyyppi F Schuko CEE 7



HUOMAUTUS!

Käymälä on varustettu 16 ampeerin ja 250 voltin kaksinapaisella ja kolmijohtimisella maadoitetulla tyyppin F Schuko CEE 7/7 -pistokkeella. Jotta se tuottaa laitteelle riittävän virransyötön, se on liitettävä omaan, maadoitettuun piiriinsä, jonka syöttövirta on vähintään 10 A ja 230 V AC.



VAARA!

- Liitäntäjohto on vedettävä siten, että se ei joudu kosketuksiin terävien reunojen kanssa.
- Turvallisuusriskien ehkäisemiseksi laitteen sisäisen sähköasennuksen ja liitäntäjohtojen muutokset saa tehdä vain koulutettu ammattilainen.
- Cinderella-tuotteen kanssa ei suositella käytettäväksi muuntajaa. Cinderella Comfort -polttokäymälän enimmäistehonkulutus on 2000 W, jota laite pystyy ylläpitämään yli tunnin mittaisia aikoja kerrallaan. Muuntajat, joiden tehohuippu on 2000 W, eivät välttämättä pysty ylläpitämään tätä tehoa. Cinderella Comfort -polttokäymälän kanssa käytettynä ne voivat ylikuormittaa tai vahingoittaa, mistä voi aiheutua vaaratilanteita.

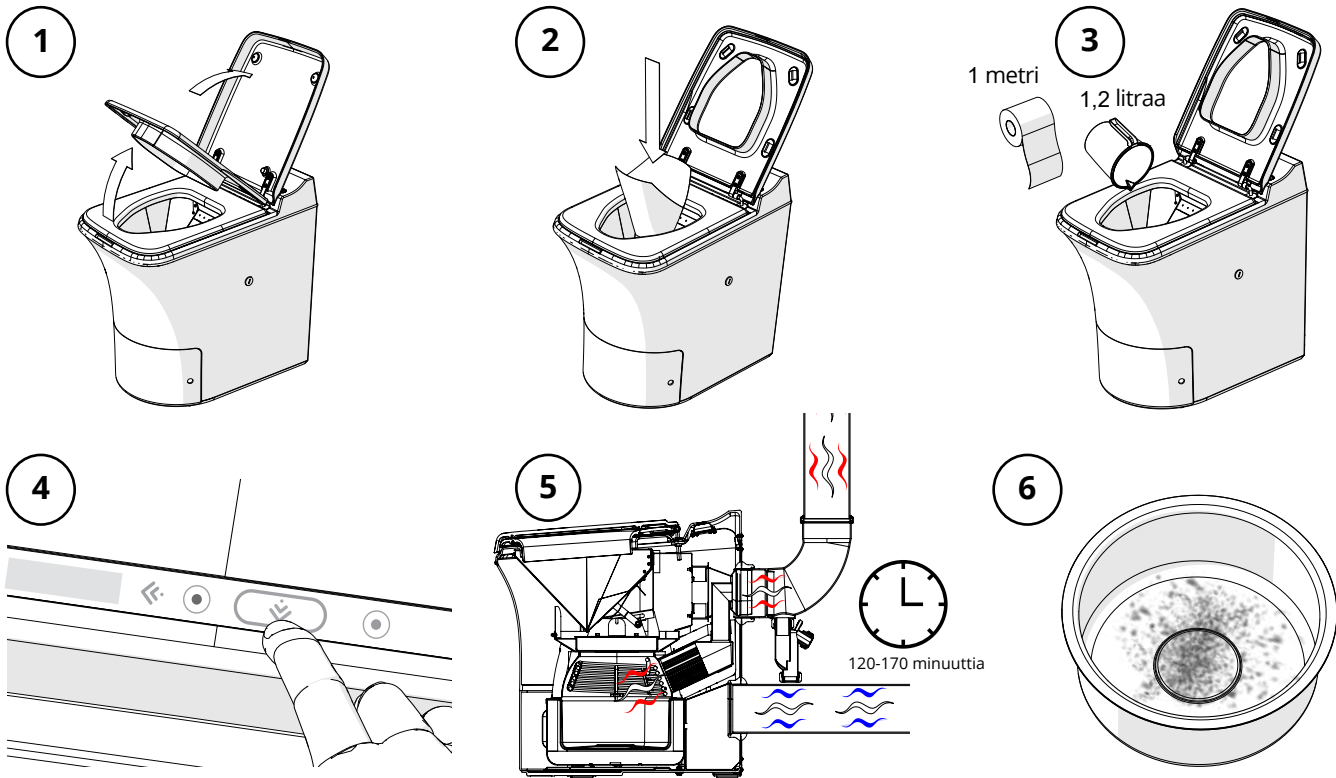
2.6 ASENNUKSEN TARKISTUSLISTA

TARKISTETTAVAT KOHDAT	CONFORMANCE
Liitäntäjännite on laitteen arvokilven mukainen.	
Liitehormin pituus on määritetty valmistajan määritysten mukaisesti.	
Savuhormin pää on vähintään 600 mm:n etäisyydellä katon pinnasta.	
Kondenssiveden keräin on asennettu tarvittaessa.	
Savuhormin materiaalit on asennettu valmistajan ohjeiden mukaisesti.	
Savuhormin hattu on asennettu valmistajan ohjeiden mukaisesti.	

2.7 TOIMIVUUSTESTAUS

Kun käynnistyspainiketta painetaan, polton pitäisi käynnistyä. Toimivuustestissä poltto-ohjelman arvioitu kesto on 120–170 minuuttia. Kun poltto on käynnissä, keltainen valo palaa. Laitteen pitäisi viedä testipolttoloppuun ilman virheilmoituksia tai katkoksia. Tuhkat voi poistaa vasta, kun käymälä on jäähtynyt sen verran, että tuuletin on pysähtynyt. Jäähdytys vie 120–170 minuuttia käyttölämpötilasta riippuen.

Polton tuloksena pitäisi olla vain hienojakoista valkoista tuhkaa. Jos polton tuloksena on jotakin muuta tai polttoaika ylittää 90 minuuttia, savuhormin toiminnassa tai hapen saannissa saattaa olla ongelmia. Tarkista, että asennus on tehty tämän ohjekirjan kohdassa 2 olevien valmistajan ohjeiden mukaisesti.



VAROITUS!

Tuhkasäiliö kuumenee polton aikana erittäin kuumaksi. Irrota tuhkasäiliö vasta, kun käymälä on jäähtynyt kokonaan ja tuuletin on pysähtynyt.



HUOMAUTUS!

Toimivuustestaus on suunniteltu suoritettavaksi ennen käymälän käyttöönottoa. Tulokset voivat vaihdella, jos testi tehdään käytössä olevalle käymälälle.

3. KÄYTTÖOHJEET

3.1 LAITTEEN KÄYTTÖTARKOITUS JA KÄSITTELY

Cinderella Comfort -polttokäymälä on tarkoitettu sisäkäyttöön vapaa-ajanasunnoissa, ulkokäymälöissä, rakennustyömaiden sosiaalituloissa, asuntoveneissä ja uima-allastaloissa. Käymälä on tarkoitettu ainoastaan virtsan ja ulosteen sekä pienten hygieniatuotteiden, kuten tamponien ja alkoholittomien vauvan tai kasvojen puhdistuspyyhkeiden polttamiseen. Muiden materiaalien ja esineiden polttaminen Cinderella Comfort -polttokäymälällä katsotaan väärinkäytökseksi, joka mitätöi takuun.

Älä laita käymälään seuraavia:

- suuria määriä mitään paperia
- klooria sisältäviä puhdistusaineita
- alkoholia sisältäviä puhdistuspyyhkeitä
- sanomalehtipaperia
- paperipyhkeitä
- tulenarkoja nesteitä tai aineita
- tupakansytyttimiä
- savukkeita tai sikareita
- bensiiniä
- alkoholijuomia
- alkoholia tai spritiä
- kynsilakanpoistoainetta
- sytytysnestettä
- lamppuöljyä tai kerosiinia
- aerosolipakkauksia
- lasi- tai muovipulloja tai -pakkauksia

3.2 YLEISTÄ TURVALLISUUSTIETOA



VAARA!

- Jos polttokäymälässä on näkyviä vaurioita, älä käytä sitä.
- Jos polttokäymälän virtajohto on vioittunut, valmistajan, asiakaspalvelun tai muun koulutetun ammattilaisen on vaihdettava se uuteen vaaratilanteiden ehkäisemiseksi.
- Polttokäymälän korjaustyöt saa tehdä vain koulutettu ammattilainen. Muun tahon kuin koulutetun ammattilaisen tekemä korjaus voi johtaa vaaratilanteeseen tai käymälän vahingoittumiseen.
- Lapset eivät saa puhdistaa tai huoltaa käymälää ilman valvontaa.
- Käymälän huollossa ei saa käyttää räjähdysalttiita tai tulenarkoja puhdistusaineita.



HUOMIO!

- Käymälä on tarkoitettu yksinomaan kehon eritteiden ja pienten hygienia tuotteiden polttamiseen. Näitä tuotteita ovat tamponit, terveystiet sekä vauvojen, kasvojen ja muuhun puhdistamiseen tarkoitettut pyyhkeet.
- Pieniä lapsia on valvottava, kun he käyttävät Cinderella-polttokäymälöitä.

3.3 TURVATOIMET



VAROITUS!

- Käymälän tuhkasäiliö kuumenee polton aikana erittäin kuumaksi. Varmista, että suojuks on paikallaan polton ollessa käynnissä. Tyhjennä tuhkasäiliö vasta, kun käymälä on jäähtynyt kokonaan.
- Varo jättämästä sormia tai käsiä istuinkansien alle, sillä ne eivät sulkeudu pehmeästi ja voivat aiheuttaa puristumisvamman.



HUOMIO!

Epätäydellisen polton ja järjestelmän ylikuumentumisen vaara!

- Käytä aina uutta suojapussia, kun käytät käymälää.
- Varmista aina riittävä tuuletus, jotta käytön aikana syntyvä lämpö pääsee haihtumaan.

3.4 CINDERELLA COMFORT -POLTTOKÄYMÄLÄN TURVALLISUUSOMINAISUUDET

- Poltto keskeytyy kun käymälän kansi avataan. Poltto käynnistyy uudelleen vasta, kun istuinkannet suljetaan.
- Polttokammion luukkua EI VOI avata, kun käymälä on kuuma (esimerkiksi puhdistuksen aikana). Luukku voidaan avata vasta, kun käymälä on jäähtynyt ja tuuletin pysähtynyt.
- Jos polton aikana ilmenee ilmanvaihto-ongelma ja käymälän sisälämpötila nousee yli 105 °C:seen, poltto keskeytyy ja laitteen näytöllä näkyvät virheilmoitus ja vikakoodi. Käymälä on tällöin nollattava ja ilmanvaihto-ongelma korjattava, ennen kuin käymälää voi käyttää.
- Jos tuhkasäiliö laitetaan paikalleen huonosti tyhjentämisen jälkeen, poltto ei käynnisty ja näytöllä näkyy virheilmoitus.
- Jos polttokammion luukun mekanismi menee jumiin tai luukku ei pysty sulkeutumaan kunnolla, poltto ei käynnisty ja näytöllä näkyy virheilmoitus.
- Cinderella-polttokäymälän ohjelmisto valvoo lämpötilaa polton aikana. Jos lämpötila poikkeaa normaalista, poltto keskeytyy välittömästi ja näytöllä näkyy virheilmoitus.



HUOMAUTUS!

- Muista laittaa käymälän altaaseen aina uusi suojaussi ennen käyttöä. Jokaisella käyttökerralla tulee käyttää uutta pussia.
- Kun käymälää ei käytetä, sen kannen on aina oltava kiinni. Poltto ei käynnisty, ellei kansi ole kiinni.
- Poltto kestää enintään 180 minuuttia viimeisimmästä käyttökerrasta.
- Tuuletin on käynnissä siihen asti, kunnes poltto on päättynyt ja käymälän sisälämpötila on palautunut normaaliksi. Jäähdytys voi kestää enemmän kuin 120 minuuttia polton päättymisen jälkeen. Jäähdytyksen kesto riippuu jäähdytysilman lämpötilasta.
- Cinderella-käymälää voi käyttää milloin tahansa polton ja jäähdytyksen aikana. Poltto keskeytyy käytön ajaksi. Sulje kansi aina käytön jälkeen ja paina käynnistyspainiketta.



1 tunti

4 käyttökertaa tunnissa

Cinderella Comfort -käymälä on tarkoitettu käytettäväksi enintään neljä kertaa tunnissa. Ylikuormituksen välttämiseksi tätä tiheämpää käyttöä ei suositella. Käymälän ylikuormittaminen käyttämällä sitä useita kertoja polttoa suorittamatta saattaa johtaa hajunmuodostukseen ja vuotoon sekä vahingoittaa käymälää.



Tyhjennys

Tyhjennystiheys

Käymälän säiliön nestetilavuus on 5 litraa. Käymälän toimivuuden takaamiseksi tuhkasäiliö tulee tyhjentää usein (kerran viikossa). Tyhjentäminen myös varmistaa tehokkaan polton ja auttaa pitämään katalysaattorin puhtaampana.

Jos tuhkasäiliötä ei ole tyhjennetty 90 polttokerran jälkeen, Cinderella Comfort -käymälän näytölle tulee ilmoitus. Jos tuhkasäiliötä ei ole tyhjennetty 120 polttokerran jälkeen, käymälä estää käytön. Suosittelemme tyhjentämään tuhkasäiliön tiheästi, sillä se tehostaa polttoa ja ehkäisee tuotteen kulumista.

Tuhkasäiliön tyhjennyksen laiminlyöminen saattaa vahingoittaa käymälää ja mitätöidä takuun.



Pitkä käyttökato

Käymälän valmistelu pitkää käyttökatoa varten

Kun käymälä jää käyttämättömäksi pitkäksi ajaksi ja ukkosella, virtajohto on irrotettava virtalähteestä käymälän suojelemiseksi vahingoittumiselta. HUOMAA! Jäte on poltettava ja keltaisen valon on sammuttava ennen virtajohdon irrottamista. Jos käymälään jää palamattomia jätöksiä, se voi aiheuttaa vahinkoa ajan mittaan. Käymälää tulee säilyttää kuivassa paikassa. Pitkien käyttökatojen aikana käymälä voi olla järkevää kytkeä irti putkista ulkoisten lämpötilanvaihtelujen ja kosteuden vaikutusten ehkäisemiseksi. Muista asentaa käymälä uudelleen ennen käyttöä.



Enint. 4
käyttökertaa

Lyhytkestoinen tiheä käyttö

Jos käymälää pitää käyttää tiheästi lyhytkestoisesti esimerkiksi juhlien aikana, toimi seuraavasti:

1. Tyhjennä tuhkasäiliö kokonaan ennen vieraiden saapumista.
2. Esilämmitä käymälä ennen käyttöä avaamalla ja sulkemalla kansi ja painamalla käynnistyspainiketta.
3. Opasta vieraita käyttämään suojaussia ja painamaan käynnistyspainiketta jokaisen käyttökerran jälkeen.
4. Tarkista säännöllisesti, että käymälän kansi on kiinni ja keltainen polttovalo palaa.
5. Käymälä saattaa vaatia yhden tai kaksi ylimääräistä polttoa ennen tuhkasäiliön tyhjentämistä kunnollisen polton varmistamiseksi.
6. Jos tiheä käyttö kestää useita päiviä, tuhkasäiliö tulee tyhjentää tiheästi, noin joka toinen päivä.

3.6 OHJAUSPANEELI

Ohjauspaneeli antaa ilmoituksia valo- ja äänimerkkien sekä tekstien avulla parhaan käyttäjäkokemuksen takaamiseksi. Järjestelmän tilaa ilmaisevat erilaiset valo- ja äänimerkit. Käyttäjän on tärkeää tutustua näiden ilmoitusten merkityksiin ennen käyttöä. Yhteenvedo valo- ja äänimerkeistä on kohdan 5.1 vianetsintätaulukossa.



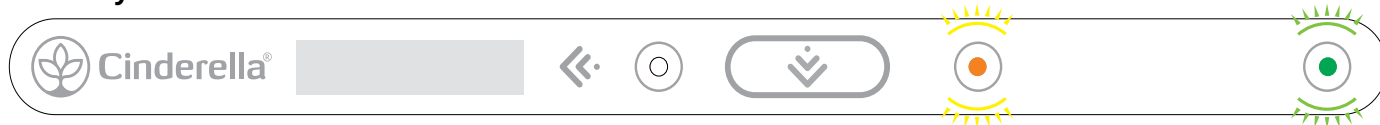
HUOMAUTUS!

- Vihreä valo ilmaisee, että käymälä on liitetty virtalähteeseen. Kun pelkästään vihreä valo palaa, käymälä on valmiustilassa ja käyttövalmis.
- Jatkuvasti palava keltainen valo ilmaisee, että poltto on käynnissä.
- Punainen valo ilmaisee polton tai valmiustilan keskeytymisestä.

Valmiustila



Poltto käynnissä



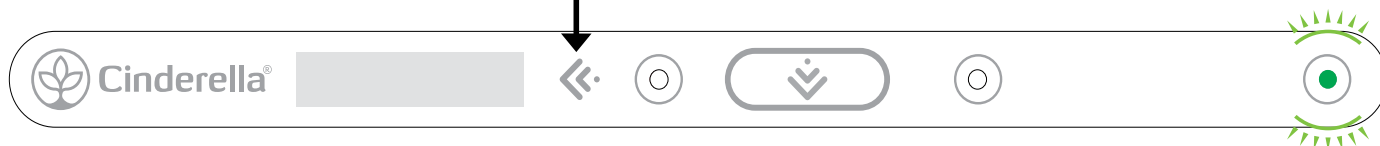
Toiminta keskeytynyt



Kielen valinta

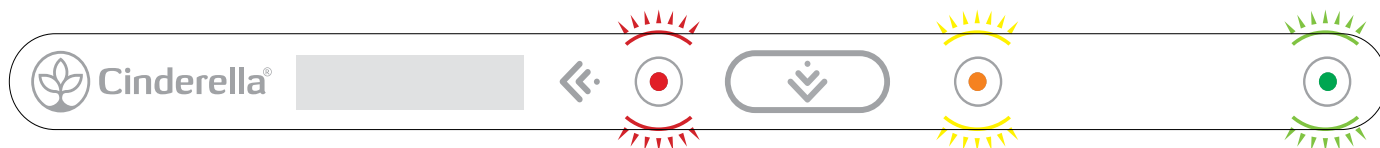
Pidä kielen valintapainiketta painettuna 3 sekuntia, kunnes näytön ensimmäisellä tekstirivillä näkyy Language. Valittu kieli näkyy toisella tekstirivillä. Paina kielen valintapainiketta toistuvasti, kunnes haluamasi kieli näkyy näytöllä. Kielivalinta tallennetaan automaattisesti muutaman sekunnin kuluttua, ja käymälä toimii normaalisti.

Kielen valintapainike



Tuhkasäiliön tyhjennysilmoitus

Cinderella Comfort -polttokäymälä antaa ilmoituksen, kun tuhkasäiliö pitää tyhjentää. Kun kansi avataan, näytöllä näkyy teksti "TYHJENNÄ TUHKASÄILIÖ" ja kuuluu kolme äänimerkkiä. Jos tuhkasäiliötä ei tyhjennetä pian ilmoituksen ilmestymisen jälkeen, käymälä menee lukitustilaan. Tässä tilassa keltainen ja punainen valo palavat ja näytöllä näkyy teksti "WC LUKITTU TUHKASÄIL. TÄYSI". Käymälä antaa kolme äänimerkkiä kymmenen sekunnin välein siihen asti, kunnes tuhkasäiliö tyhjennetään.

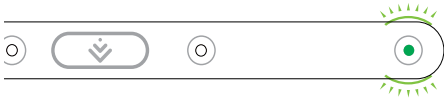


HUOMAUTUS!

Tuhkasäiliö on yleensä vain puoliksi täynnä, kun saat ilmoituksen sen tyhjentämisestä. Tyhjennä tuhka silti, koska se usein parantaa polttamistehokkuutta.

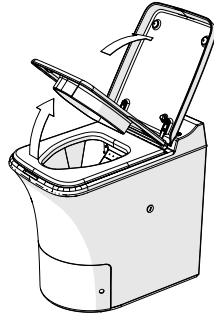
3.7 CINDERELLA COMFORT -KÄYMÄLÄN KÄYTTÖ

1



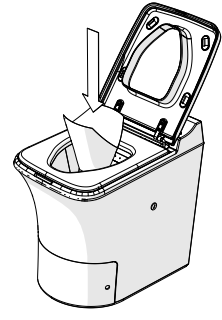
1. Tarkista, että ohjauspaneelin vihreä valo palaa. Se kertoo, että käymälä on valmiustilassa ja käyttövalmis.

2



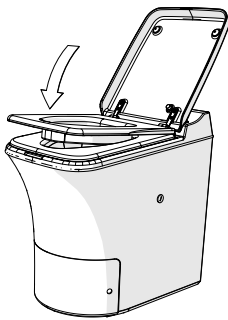
2. Avaa istuinkannet. Punainen valo alkaa vilkkua. Tuuletin käynnistyy.

3



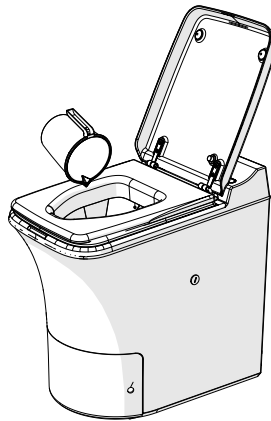
3. Aseta suojapussi käymälän altaaseen. Vaihda suojapussi jokaisella käyttökerralla.

4



4. Laske istuinrengas. Käymälä on valmis käytettäväksi.

5



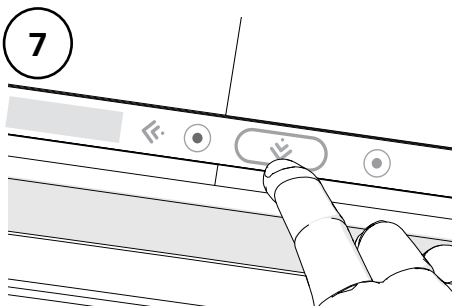
5. Käytä käymälää tavalliseen tapaan. Jos jätöksen määrä on pieni, käymälän altaaseen voi lisätä hieman vettä tuomaan painoa.

6



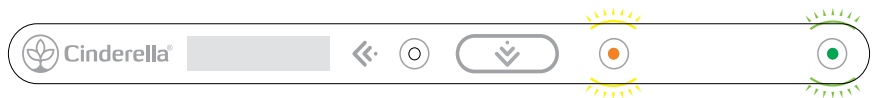
6. Sulje käymälän kansi.

7



7. Paina käynnistuspainiketta. Luukku aukeaa ja pussi sisältöineen putoaa polttokammioon. Poltto käynnistyy, kun luukku on sulkeutunut. Käymälä on nyt valmis seuraavaa käyttökertaa varten.

8



8. Polton ollessa käynnissä ohjauspaneelissa palaa keltainen valo. Käymälää voi käyttää milloin tahansa polton aikana. Poltto keskeytyy käytön ajaksi. Polttoaika riippuu käyttökertojen ja poltettavan jätöksen määrästä.

3.8 ETULUUKUN JA TUHKASÄILIÖN KÄYTTÖ



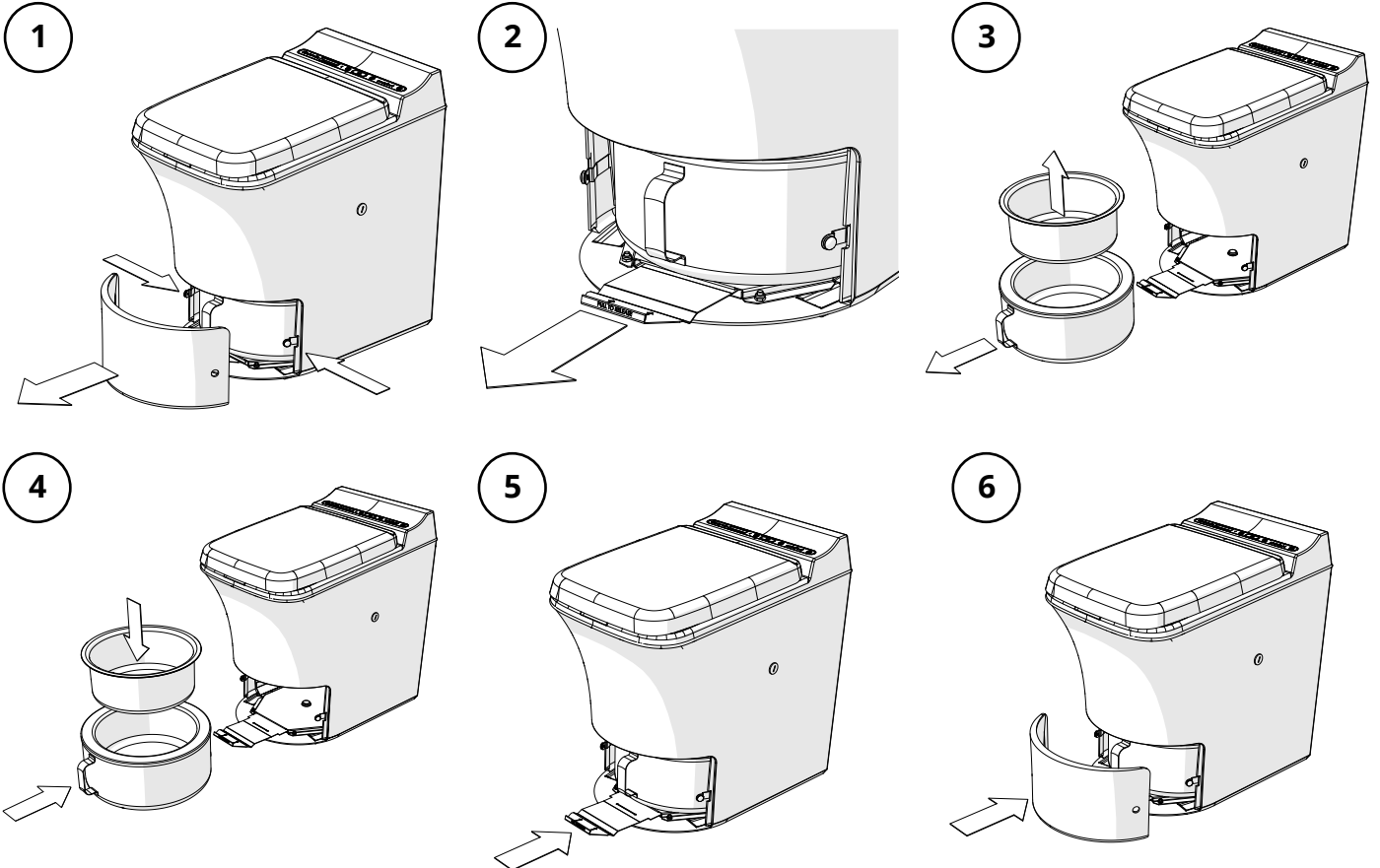
VAROITUS!

Tuhkasäiliötä saa käsitellä vain, kun käymälä on valmiustilassa ja jäähtynyt riittävästi.

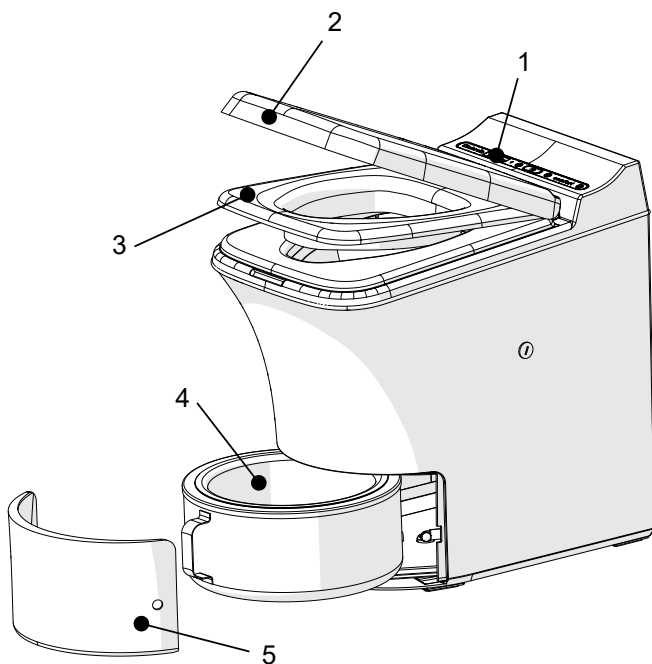


HUOMAUTUS!

Katso käymälän puhdistusohjeet ja tuhkasäiliön tyhjennysohjeet käyttöohjeen huolto-osiossa.



3.9 PEREHDYTYS LAITTEISTON KÄYTTÖÖN



ID	OSAN KUVAUS
1	Ohjauspaneeli, jossa on näyttö
2	Kansi
3	Istuin
4	Tuhkasäiliön liitoskappale
5	Etuluukku
6	Tuhkasäiliö
7	Lämpötilan varoventtiili

4. YLEISET HUOLTO-OHJEET

Tämä ohjekirja sisältää sekä käyttäjälle että koulutetuille ammattilaisille tarkoitetut huolto-ohjeet.

Toimiva ilmanvaihto on välttämätön käymälän ihanteellisen toiminnan kannalta. Poltossa syntyvät hiukkaset voivat ajan mittaan tukkia katalysaattorin ja savuhormin. Siksi näitä osia on huollettava säännöllisesti.

Jotta Cinderella Comfort -käymälä toimisi ihanteellisesti ja kestäisi käytössä pitkään, sille on tehtävä tietyt ennaltaehkäisevät huoltotoimet. Hyvä huoltorutiini pienentää käyttökustannuksia ja ehkäisee käymälän kulumista. Suosittelemme, että käyttäjä tekee käymälälle seuraavat huoltotoimet säännöllisesti:

1. Tyhjennä käymälä tiheästi. Älä laske käymälän käyttöä sen enimmäiskapasiteetin mukaan.
2. Puhdista tuhkasäiliö aina tyhjennyksen yhteydessä (ks. kohta 4.2.1).
3. Höyrypuhdista käymälän allas vähintään jokaisen suojaussipakkauksen (500 käyttökertaa) jälkeen, mieluiten jokaisen tuhkasäiliön tyhjennyksen ja puhdistuksen yhteydessä (ks. kohta 4.2.2).
4. Huuhtelee katalysaattori kuumalla vedellä jokaisen kulhon vuorauslaatikon jälkeen (500 käyttökertaa) tai tarvittaessa useammin. (katso kohta 4.2.6)
5. Tarkista polttotulos aina tuhkasäiliön tyhjennyksen yhteydessä. Poikkeava tuhkan koostumus voi olla merkki huollon tai korjauksen tarpeesta (ks. kohta 4.1).

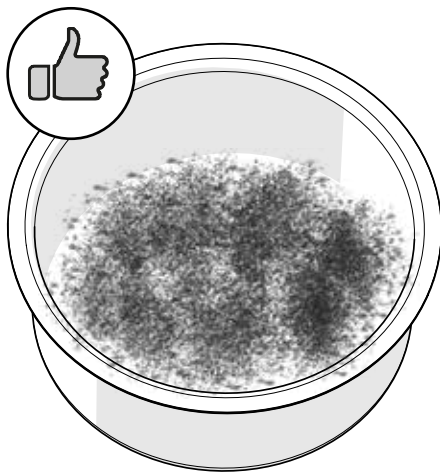


VAROITUS!

Tarkista aina ennen huoltotoimien aloittamista, että käymälä ei ole polttotilassa ja että se on jäähtynyt riittävästi.

4.1 TUHKAN KOOSTUMUS

Koska tuhka koostuu ihmisjätöksistä, suoiloista ja mineraaleista, se saattaa vaikuttaa kovalta ja kiteiseltä. Tuhkan seasta ei saa erottua paperia tai palamattomia jätöksiä, ja tuhkan värin tulisi olla väriltään valkoista ja tummanharmaata. Jos tuhkan seassa on palamattomia mustia kokkareita, kosteutta tai paperia, käynnistä uusi poltto lisäämättä käymälään paperia tai nestettä. Kun poltto on valmis, tyhjennä tuhkasäiliö ja tee tämän ohjekirjan mukaiset huoltotoimet.

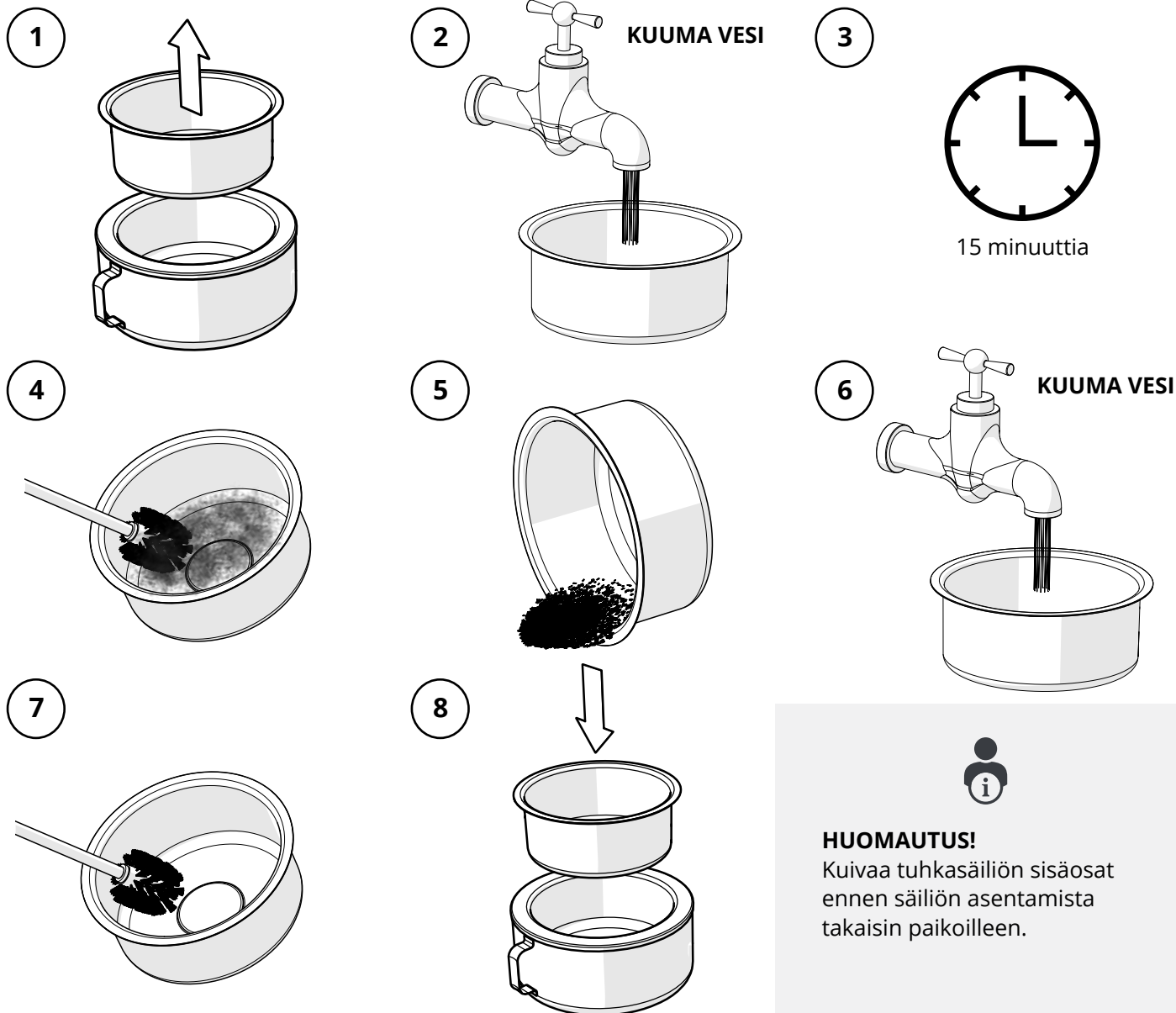


HUOMAUTUS!

Tuhkajäännökset ovat steriilejä eivätkä sisällä bakteereja tai tartunta-aineita. Tuhkajätteet suositellaan lajiteltavaksi jäännösjätteenä. Huomaa, että tietyissä maissa voi olla rajoituksia, joten tutustu oman maan säädöksiin ja noudata niitä.

4.2 KUNNOSSAPITO

4.2.1 TUHKASÄILIÖN TYHJENNYS JA PUHDISTUS



HUOMIO!

Älä käytä tuhkasäiliön puhdistamisessa teräviä esineitä, sillä se vahingoittaa tuhkasäiliötä ja lyhentää sen käyttöikää.



HUOMAUTUS!

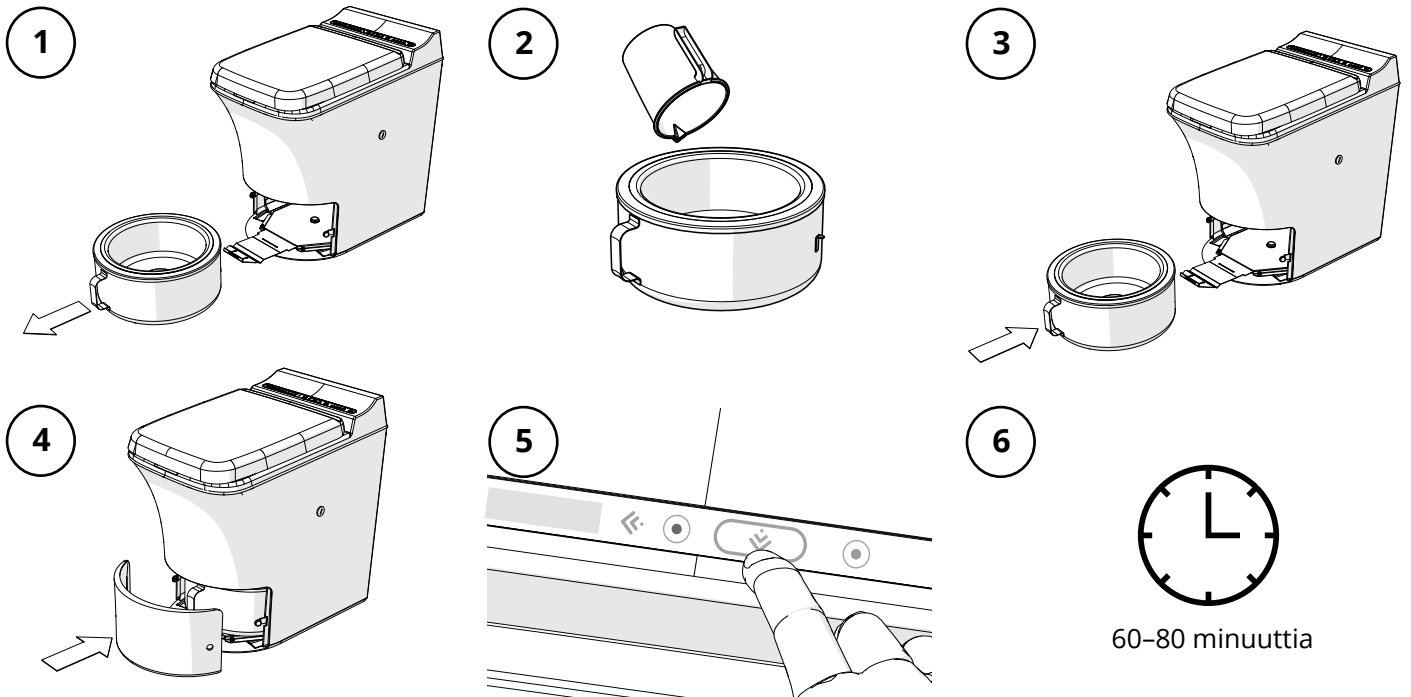
- Käymälän toimivuuden ylläpitämiseksi suosittelemme tekemään höyrypuhdistuksen kohdan 4.2.2 ohjeilla jokaisen tuhkasäiliön tyhjennyksen ja puhdistuksen yhteydessä. Se ehkäisee noen ja sakan muodostumista katalysaattoriin ja savuhormiin.
- Käymälän tulee puhdistuksen aikana olla kytkettynä virtalähteeseen. Jos käymälä tyhjenetään virran ollessa katkaistuna, järjestelmä ei pysty nollaamaan laskuria.
- Tuhka kannattaa tyhjentää usein. Tämä parantaa polton tehokkuutta.

4.2.2 KATALYSAATTORIN HÖYRYPUHDISTUS

Suosittelut tiheys: jokaisenn tuhkasäiliön tyhjennyksen yhteydessä.

1. Varmista, että käymälä on jäähtynyt ja tuhkasäiliö on tyhjenetty ja puhdistettu (ks. kohta 4.2.1). Poista etuluukku ja vapauta tuhkaluukku.
2. Kaada tuhkasäiliöön noin 1 litra puhdasta vettä.
3. Aseta tuhkasäiliö paikalleen varovasti vettä läikyttämättä.

4. Aseta etuluukku paikalleen.
5. Nosta kansi ja varmista, että tuuletin alkaa pyöriä.
6. Käynnistä poltto painamalla käynnistuspainiketta.
7. Vesi alkaa kiehua ja höyry puhdistaa sakan katalysaattorista. Höyrypuhdistus kestää tavallisesti 60–80 minuuttia.



HUOMAUTUS!

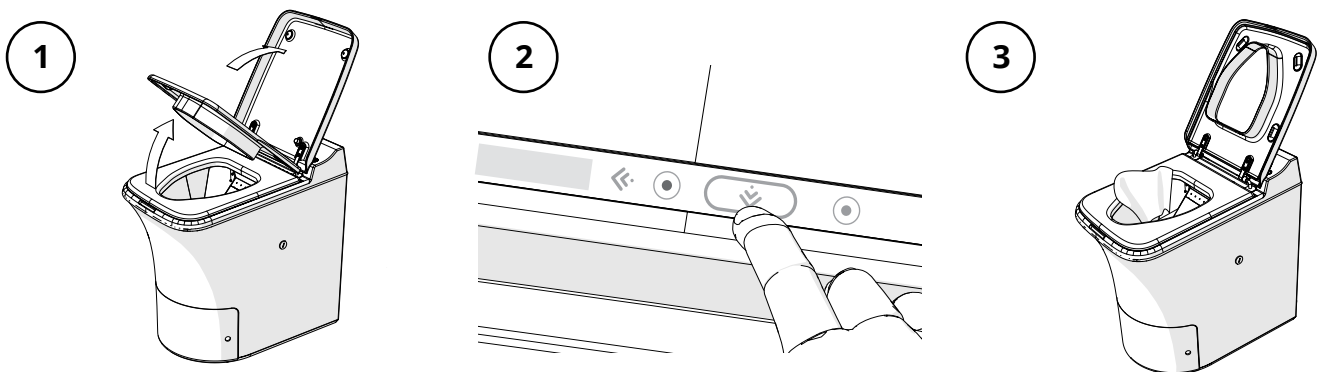
Käymälää ei saa käyttää höyrypuhdistuksen aikana, sillä se heikentää puhdistustehoa. Käymälää voi käyttää, kun se on palannut valmiustilaan.

4.2.3 KÄYMÄLÄN ALTAAN PUHDISTUS

Suosittelut tiheys: tuhkasäiliön puhdistuksen yhteydessä ja aina tarvittaessa.

Puhdista käymälän allas näin:

1. Avaa käymälän kansi.
2. Pidä käynnistuspainike painettuna 3 sekunnin ajan. Luukku avautuu puhdistusasentoon.
3. Pyyhi pinnat pehmeällä paperilla, vedellä ja miedolla pesuaineella tarpeen mukaan. Sulje kansi ja käynnistä poltto.



VAARA!

- Älä käytä tulenarkoja puhdistusaineita käymälän altaan puhdistukseen.
- Käymälän metallireunat voivat olla teräviä.
- Käymälän on oltava jäähtynyt ja valmiustilassa, ennen kuin altaan puhdistus aloitetaan.



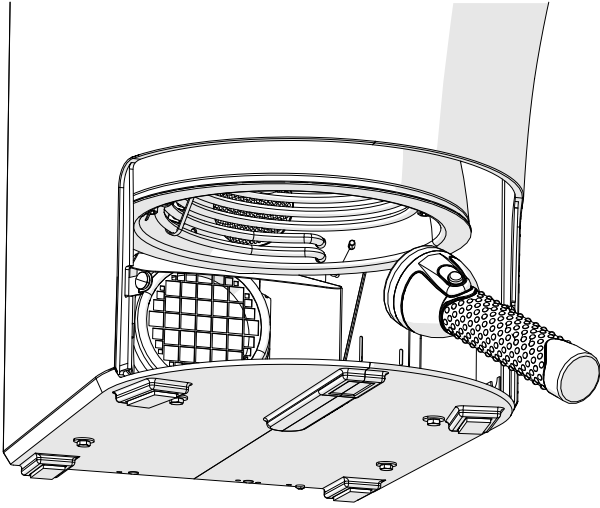
HUOMIO!

Älä käytä klooripitoisia puhdistusaineita käymälän altaan puhdistukseen. Kloori vahingoittaa katalysaattoria ja voi aiheuttaa katalyytin toimintahäiriön.

4.2.4 KATALYSAATTORIN TARKISTUS

Suosittelu tiheys: 500 käyttökerran jälkeen.

Katalysaattori muodostaa polttokammion ja savuhormin liitännän välisen ensisijaisen ilmanvaihtokanavan. Hiukkasten kertyminen katalysaattoriin heikentää ilman virtausta ja käymälän tehokkuutta sekä saattaa johtaa hajunmuodostukseen. Siksi katalysaattorin tulee olla aina avoinna. Polttoajan tai polton tehokkuuden muuttuminen sekä hajunmuodostus voivat johtua katalysaattoriin kertyneestä sakasta. Paras ja helpoin tapa puhdistaa katalysaattori on tehdä kohdan 4.2.2 mukainen höyrypuhdistus. Katalysaattorin etuosan voi myös tarkistaa poistamalla tuhkasäiliön ja valaisemalla polttokammion sisäpuolelta. Jos höyrypuhdistuksen jälkeen katalysaattorissa näkyy hiukkasia tai käymälässä tuntuu hajua, huuhtelee katalysaattori kuumalla vedellä kohdan 4.2.6 mukaisesti.



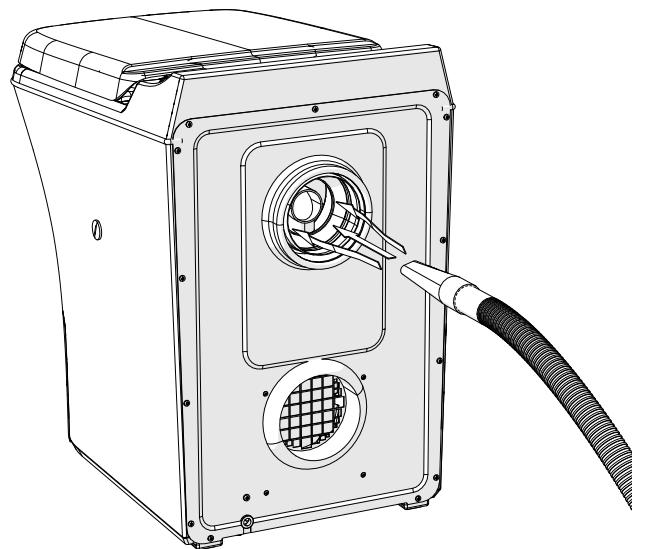
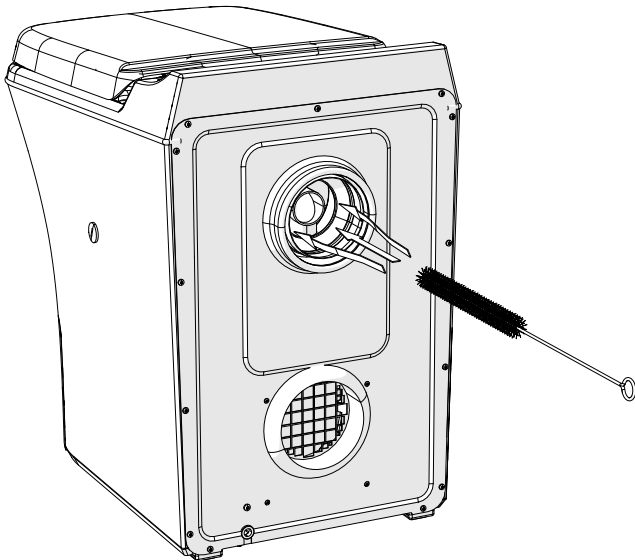
HUOMAUTUS!

Jos katalysaattorissa näkyy selkeästi syöpymiä tai epämuodostumia, katalysaattori on vaihdettava uuteen. Tilaa huolto paikalliselta palveluntarjoajalta.

4.2.5 SAVUHORMIN LIITÄNNÄN PUHDISTUS

Suosittelu tiheys: vähintään 500 käyttökerran jälkeen.

1. Puhdistusta varten käymälä on irrotettava savuhormista ja virtalähteestä.
2. Puhdista savuhormin liitäntä joustavalla harjalla. Puhdista sekä poistoputki että sitä ympäröivä liitin tuulettimen lapoihin asti hyvän ilmanvaihdon takaamiseksi.
3. Irrota ja puhdista tuhkasäiliö.
4. Puhdista savuhormi ja katalysaattori imurilla.
5. Liitä käymälä savuhormiin ja virtalähteeseen.
6. Aseta tuhkasäiliö ja etuluukku paikalleen.
7. Savuhormin liitännän puhdistuksen jälkeen on suositeltavaa tehdä kohdan 4.2.2 mukainen höyrypuhdistus.

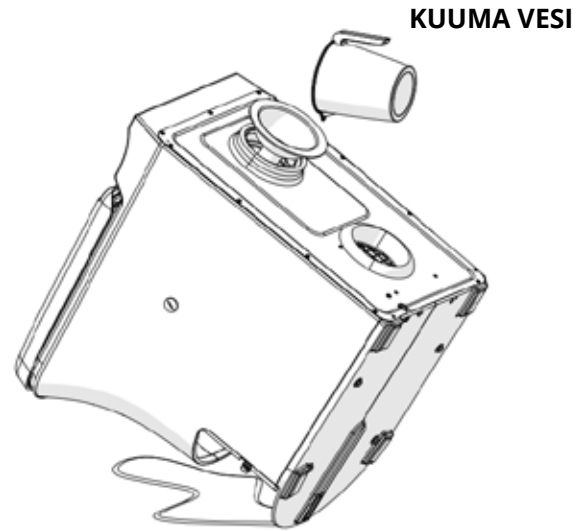


4.2.6 KATALYSAATTORIN HUUHELU KUUMALLA VEDELLÄ

Suositteltu tiheys: kerran vuodessa tai vähintään 500 käyttökerran välein.

Jos höyrypuhdistus ei riitä poistamaan hiukkasia ja pahaa hajua, katalyysaattori on huuhdeltava kuumalla vedellä. Huuhtelu edellyttää painavien esineiden nostamista, ja sen voi tehdä vain paikassa, jossa vettä saa roiskua. Tee ensin savuhormin liitännän puhdistuksen vaiheet 1–7 (kohta 4.2.5) ja jatka niiden jälkeen seuraavasti:

1. Aseta käymälä sellaiseen paikkaan, johon saa roiskua vettä, esimerkiksi lattiakaivolliseen tilaan, ulkotiloihin tai kylpyammeeseen. Käytä Cinderellan omaa suppiloa, joka mahtuu poistoputkeen. Kallista käymälää hieman eteenpäin ja kaada 2–3 litraa kuumaa vettä poistoputken kautta katalyysaattoriin läpi. Huuhtelun loppuvaiheessa läpi valuvan veden tulisi olla puhdasta. Toista huuhtelu tarvittaessa.
2. Toista kohtaa 1 kunnes vesi on puhdasta eikä katalyysaattorissa näy kiteitä tai muita esteitä (4–5 kertaa) (ks. kohta 4.2.4). Vaihe 1 tulee toistaa 4–5 kertaa, vaikka vesi olisi ennen ollut kirkasta tuo kohta.
3. Liitä käymälä savuhormiin ja virtalähteeseen.
4. Aseta tuhkasäiliö ja etuluukku paikalleen.
5. Tee toimivuustestaus kohdan 2.8 mukaisesti.



HUOMAUTUS!

Ennen käymälän irrottamista ja huuhtelemista kuumalla vedellä tarkista katalyysaattori ja tee kohdan 4.2.2 mukainen höyrypuhdistus. Jos katalyysaattori on edelleen tukossa tai polton aikana muodostuu hajua, huuhtele katalyysaattori kohdan 4.2.6 mukaisesti.



HUOMIO!

Toimenpide on suositeltavaa suorittaa kahden ihmisen voimin, jolloin toinen voi pidellä käymälää toisen huuhtoessa katalyysaattoria.

5. VIANETSINTÄ JA USEIN KYSYTTYÄ



VAROITUS!

Huollot ja korjaukset tulee tehdä kansallisten ja paikallisten määräysten mukaisesti. Jos et tiedä alueellasi noudatettavia määräyksiä, käänny jälleenmyyjän tai valtuutetun huollon puoleen. Käymälä on irrotettava virtalähteestä ennen kaikkien huolto- ja korjaustoimien suorittamista.

Vianetsintä verkossa

Ohjauspaneelin ääni- ja valomerkit ilmaisevat käymälän tilan. Käymälän toimintahäiriöt ilmaistaan erilaisilla ääni- ja valomerkeillä, jotka on kuvattu kohdassa 5.1. Tavallisimmat vika- ja ongelmatilanteet on koottu verkossa olevaan vianetsintäoppaaseen. Sen avulla voit selvittää, millaisesta viasta on kyse, ja saat ratkaisuehdotuksia.

Käymälän järjestelmän nollaus

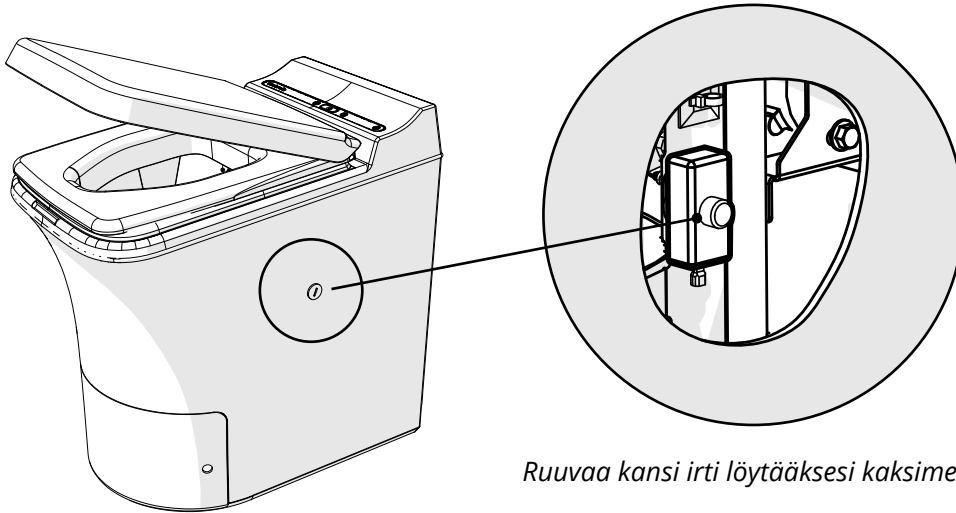
Käymälä on toisinaan hyvä nollata puhdistuksen ja vianetsinnän yhteydessä. Nollaa järjestelmä seuraavasti: Paina käynnistuspainiketta. Kuuluu lyhyt äänimerkki. Pidä painiketta painettuna noin 8 sekuntia, kunnes kuuluu pitkä äänimerkki. Vapauta painike.

Virheilmoitukset

Kun yksi tai useampi ohjauspaneelin valoista vilkkuu, selvitä syy ja korjaa ongelma ennen käymälän käyttämistä. Jos käymälä muodostaa hajua, polttaa huonosti tai järjestelmässä ilmenee toimintahäiriö, tilanne on selvitettävä välittömästi käymälän vaurioitumisen ja turhien korjauskustannusten välttämiseksi.

Kaksimetalisen termostaatin virhe

Kaksimetalinen termostaatti antaa virheilmoituksen, kun käymälän sisälämpötila nousee liian suureksi. Näin tapahtuu tavallisesti, kun ilmankierto on riittämätöntä tai korvaus- tai poistoilmaputkissa on tukos. Tarkista korvausilman saanti ja että savuhormi on avoin ja esteetön. Tarkista katalysaattori silmämääräisesti ja tee höyrypuhdistus kohdan 4.2.2 mukaisesti.



Ruuvaa kansi irti löytääksesi kaksimetalisen termostaatin

Sähkökatkon sattuessa

Jos poltto on käynnissä sähkökatkon sattuessa, käymälästä saattaa tulla hajua tilapäisesti ja ulkona olevasta savuhormista saattaa tulla savua ja hajua. Tuuletin toimii akkuvirralla, kunnes käymälä on jäähtynyt. Sähkökatkon jälkeen poltto ei käynnisty automaattisesti, vaan käyttäjän on käynnistettävä uusi poltto. Jos sähkökatkon odotettu kesto on yli kaksi tuntia, käymälä on tärkeää tyhjentää, sillä muuten käymälä saattaa vaurioitua. Käymälää ei saa käyttää sähkökatkon aikana.

Hajunmuodostus sisätiloissa

Hajunmuodostus voi johtua useista syistä:

1. Suojapussin käyttämättä jättäminen tai suojapussin vääränlainen käyttö.
2. Ilmanvaihto ei toimi. Tarkista savuhormi ja savuhormin hattu.
3. Tarkista, että käymälä on asennettu asennusohjeen mukaisesti. Savuhormin esteet voivat aiheuttaa alipainetta ja hajunmuodostusta sisälle.
4. Poistoputki saattaa olla tukossa. Ks. kohta 4.2.5.
5. Katalysaattori saattaa olla tukossa. Ks. kohta 4.2.4.
6. Poistoputki ei ole kunnolla kiinni käymälässä. Ks. kohta 2.4.3.

Hajunmuodostus ulkotiloissa

Syyt voivat olla samoja kuin sisätiloissa tai johtua seuraavista:

1. Katalysaattori ei ole saavuttanut käyttölämpötilaa. Kun käymälä on kylmä, katalysaattorin lämpeneminen oikeaan lämpötilaan saattaa viedä muutaman minuutin.
2. Katalysaattori saattaa olla syöpynyt tai tukossa. Ota yhteyttä valtuutettuun huoltoon.

Virtapiikki

Jos laitteeseen osuu jännitepiikki, kuten salamanisku, laite nollautuu automaattisesti. Käyttäjän on tämän jälkeen käynnistettävä uusi poltto.

5.1 VIANETSINTÄTAULUKKO



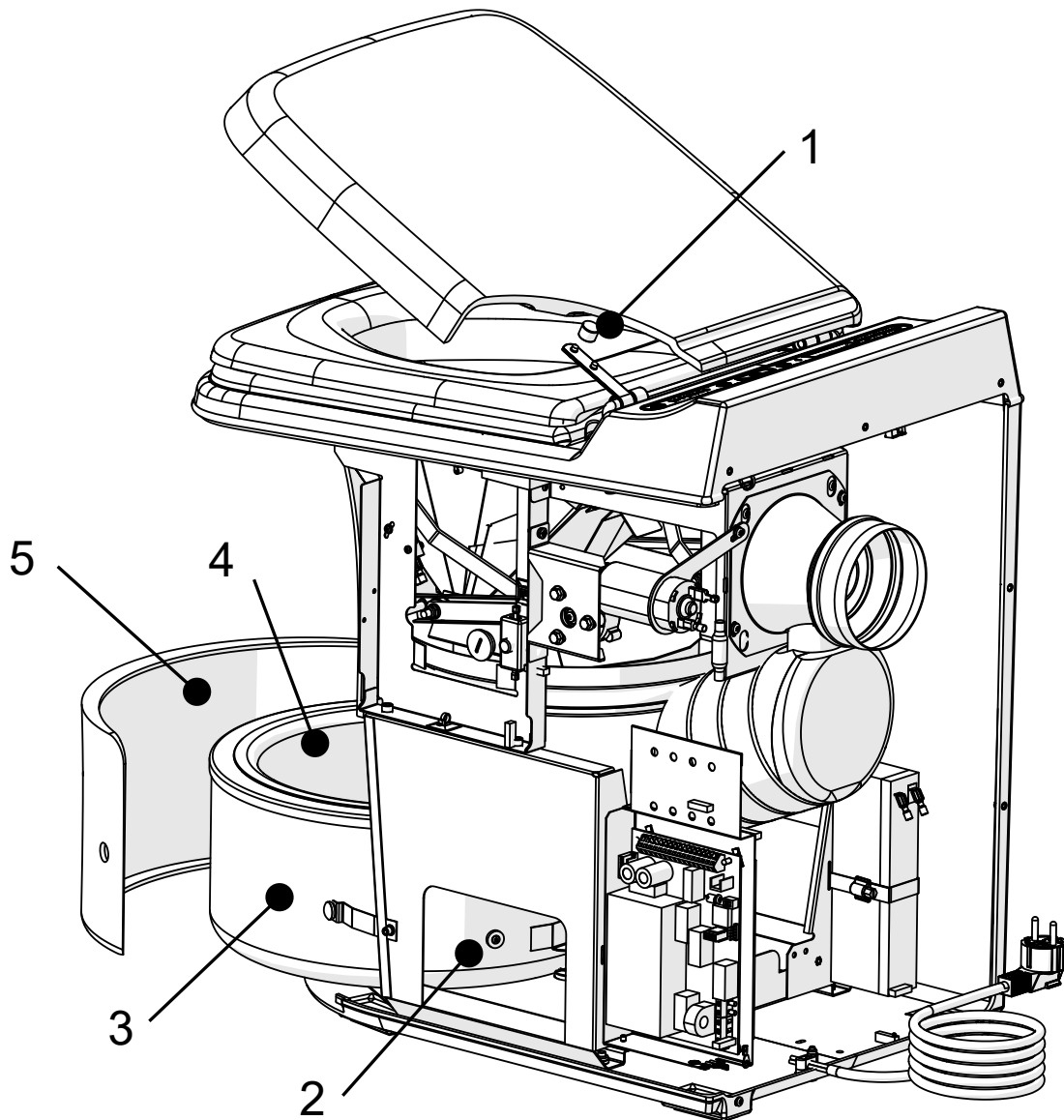
HUOMAUTUS!

Cinderalla on kehittänyt digitaalisen vianetsintämoduulin, joka on verkkosivustossamme. Se toimii vianetsintätaulukon lisänä. Löydät sen osoitteesta www.cinderellaeco.com.

VIKA	ILMOITUS	PUNAINEN VALO	KELTAINEN VALO	VIHREÄ VALO	ÄÄNI	OHJEET
Tuhkasäiliö pitäisi tyhjentää.	Tyhjennä tuhkasäiliö	VILKKUU	VILKKUU	PALAA	3 ÄÄNIMERKKIÄ	1 Irrota ja tyhjennä tuhkasäiliö. * Käymälän tulee olla liitettynä 230 V:n virtalähteeseen.
Tuhkasäiliö on tyhjennettävä. Käymälä lukittu.	WC lukittu tuhkasäil. täysi	PALAA	PALAA	PALAA	3 ÄÄNIMERKKIÄ 10 SEKUNNIN VÄLEIN	1 Irrota ja tyhjennä tuhkasäiliö. * Käymälän tulee olla liitettynä 230 V:n virtalähteeseen.
Ei virtaa		EI	EI	EI		1 Varmista, että käymälä on liitettynä virtalähteeseen (230 V AC).
Tuuletinvirhe	Virhe tuuletin	VILKKUU	EI	VILKKUU	10 ÄÄNIMERKKIÄ	1 Tarkista tuuletin esteiden varalta ja varmista, että se pääsee pyörimään vapaasti. 2 Nollaa käymälä (pidä käynnistyspainike painettuna). 3 Avaa kansi, kunnes punainen valo alkaa vilkkua. Sulje kansi ja paina käynnistyspainiketta. Jos vika ei poistu, kutsu huolto.
Luukun toimintahäiriö	Virhe salpamekanismi	VILKKUU	EI	PALAA	10 ÄÄNIMERKKIÄ	1 Jos käymälä on lämmin, nollaa se. 2 Avaa kansi, kunnes punainen valo alkaa vilkkua. Sulje kansi ja paina käynnistyspainiketta. 3 Jos vika ei poistu, nollaa käymälä, aseta suojaussi altaaseen ja kaada pussiin 7 dl vettä. Sulje kansi ja paina käynnistyspainiketta. 4 Jos vika ei poistu, odota kunnes käymälä on jäähtynyt (tuuletin lakkaa toimimasta). Nollaa käymälä uudelleen ja avaa kansi, kun luukku on avautumassa, ja poista sen toimintaa estävä esine. Katso kohta 4.2.3 5 Jos vika ei poistu, kutsu huolto.
Tuhkasäiliö ei ole oikein paikoillaan.	Tuhkasäiliö pois paikaltaan	VILKKUU	VILKKUU	PALAA	3 ÄÄNIMERKKIÄ	1 Aseta tuhkasäiliö oikein paikoilleen kiertämällä sitä vasemmalle. 2 Tarkista, että säiliön pysäytin on ehjä. 3 Tarkista säiliön magneetin kunto silmämääräisesti. Jos vika ei poistu, kutsu huolto.
Lämmityspiirin toiminta on keskeytynyt	Virhe lämmityspiiri	EI	VILKKUU	PALAA	JATKUVAT ÄÄNIMERKIT	1 Nollaa käymälä. 2 Tarkista käymälän oikealla puolella oleva kaksimetallinen termostaatti. Kierrä harmaa tulppa auki ja paina sisällä olevaa sulaketta sormella. Älä käytä teräviä esineitä. Jos sulake on lauennut, kuulet naksahduksen. Ks. kohta 5. 4 Jos vika ei poistu, nollaa käymälä uudelleen ja yritä käynnistää se. Toista muutaman kerran. Jos vika ei poistu, kutsu huolto.
Kannen anturi on lauennut	Kansi on auki	VILKKUU	EI	PALAA	EI	1 Tarkista kannen alla oleva magneetti ja sulje kansi. Jos vika ei poistu, kutsu huolto.
Lämpötila-anturin toimintavirhe	Virhe lämpötila-anturin	EI	VILKKUU	VILKKUU	JATKUVAT ÄÄNIMERKIT	1 Nollaa käymälä. 2 Avaa kansi, kunnes punainen valo alkaa vilkkua. Sulje kansi ja paina käynnistyspainiketta. 3 Jos vika ei poistu, kutsu huolto.
Ei lukukelpoinen / ei ilmoitusta	Ei lukukelpoinen / tyhjä näyttö					1 Irrota käymälä virtalähteestä ja odota 5 minuuttia. 2 Liitä käymälä virtalähteeseen ja käynnistä. 3 Jos vika ei poistu, kutsu huolto.

6. KORJAUS JA VARAOSAT

6.1 VARAOSALUETTELO



ID	PART DESCRIPTION	ART. NO
1	Magneetti 14x10 mm	100433
2	Magneetti 14x7 mm	100065
3	Tuhkäsiiliö	100715
4	Tuhkäsiiliön liitoskappale	100014
5	Etuluukku	100077

6.2 LAITTEISTOPROSESSIN YLEISKUVA

Cinderella-käymälä on vian sattuessa turvallinen. Jos jokin komponentti tai ohjaustoiminto rikkoutuu, käymälä siirtyy turvatilaan. Polttoa ei silloin voi käynnistää, ja näytöllä näkyvät komponenttien ja/tai ohjaustoimintojen virheilmoitukset.

Sekä kannessa että tuhkasäiliössä on Hall-anturit. Normaalisti ne ovat avoimna ja laukeavat osuessaan tuhkasäiliön ulkopuolelle ja käymälän kannen sisäpuolelle asennettuihin magneetteihin.

Kun kansi on avoimna, aksiaalipuhallin alkaa tuulettaa järjestelmää. Poltto käynnistetään jokaisen käyttökerran jälkeen painamalla ohjauspaneelissa olevaa painiketta. Suojapussi sisältöineen putoaa käymälän altaasta polttokammioon, missä se poltetaan turvallisesti korkeassa lämpötilassa.

Luukkumekanismia valvoo kaksi mikrokytkintä, joista toinen sijaitsee käymälän rungon yläosassa ja valvoo luukkua sen ollessa avoimna, ja toinen sijaitsee käymälän etuosassa alhaalla ja valvoo luukkua sen ollessa suljettuna.

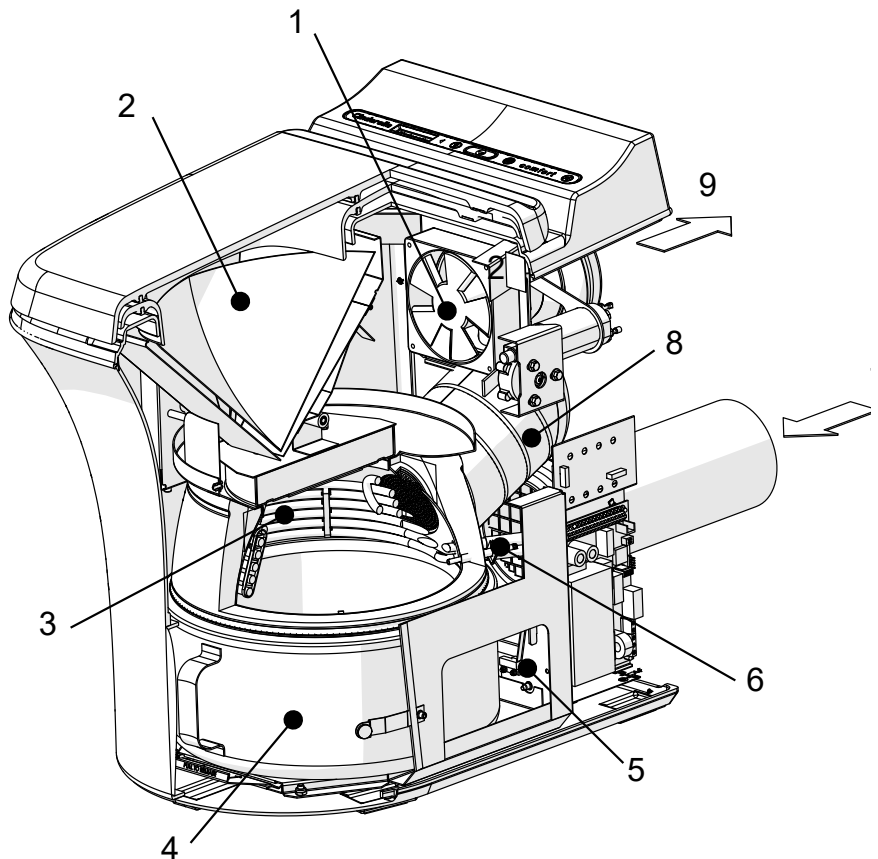
Laitteeseen syötetään polton aikana ilmaa, joka takaa poltossa tarvittavan hapen saannin. Liiallinen lämpö poistuu savuhormin kautta. Savu ja kaasut kulkevat kuumuuden aktivoiman platinakatalysaattorin läpi, mikä pienentää päästöjä ja hajunmuodostusta.

Kammion sisällä oleva lämpöpari valvoo tarkasti polttokammion sisälämpötilaa. Käymälän sisälämpötilaa valvoo käymälän sisärunkoon kiinnitetty kaksimetallinen termostaatti.

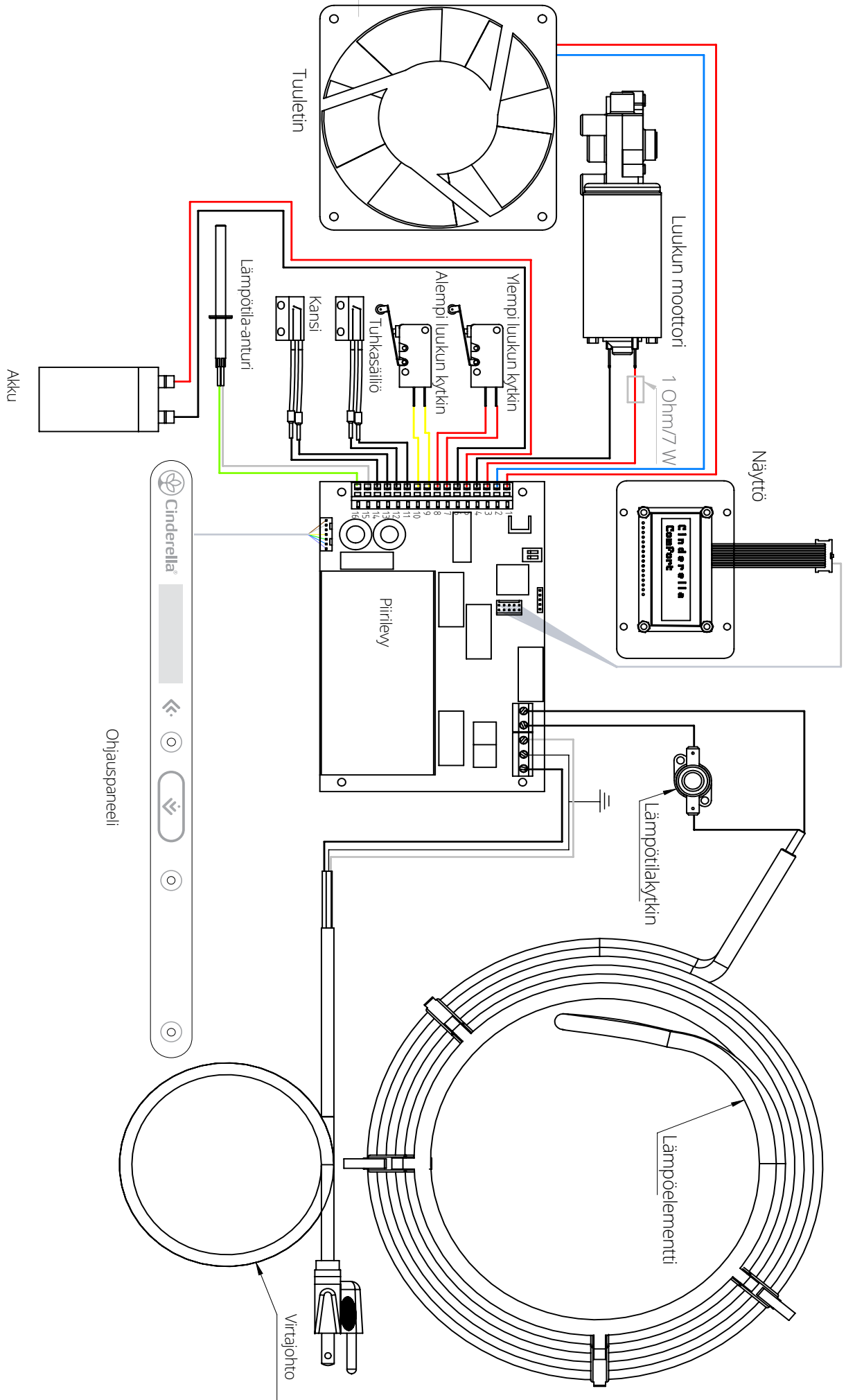
Polton kesto on 40–180 minuuttia, ja käymälän anturitekniologia valvoo sitä automaattisesti. Käymälää voi käyttää milloin vain polton aikana. Poltto keskeytyy, kun kansi avataan, ja se käynnistyy uudelleen, kun kansi suljetaan. Käymälässä on useita turvaominaisuuksia, jotka takaavat sen turvallisen käytön. Ks. tämän käyttöohjeen kohta 3.4.

6.3 TEKNINEN PEREHDYTYS

Nro	OSAN KUVAUS
1	Aksiaalipuhallin
2	Suojapussi altaassa
3	Lämmityselementti
4	Tuhkasäiliö
5	Hall-anturi
6	Lämpöpari
7	Imuilma
8	Katalysaattori
9	Poistoilma



6.2 KYTKENTÄKAAVIO



7. TAKUU

Mitä takuu kattaa?

Tämä takuu kattaa Cinderella-polttokäymälän materiaali- ja valmistusvirheet. Takuun voimassaoloaika on ilmoitettu jäljempänä, samoin poikkeukset takuun voimassaoloon.

Mitä takuu ei kata?

Tämä takuu ei kata normaalista käytöstä aiheutuvaa kulumista eikä onnettomuuksista (mukaan lukien tulipalo, tulva, hirmumyrsky ja muut luonnonmullistukset), väärinkäytöstä, virheellisestä käytöstä, valmistajan ohjeiden laiminlyönnistä tai riittämättömästä huollosta aiheutuvia vahinkoja. Tämä takuu ei kata välillisiä tai muita epäsuoria vahinkoja. Cinderella Eco Group ei tarjoa paikan päällä -takuuta. Tämä tarkoittaa sitä, että käymälä on toimitettava huollettavaksi valtuutettuun huoltoliikkeeseen. Jos se ei ole mahdollista, jälleenmyyjällä on oikeus veloittaa kuljetus- tai matkakustannukset.

Kuinka kauan takuu on voimassa?

Kuluttajalle tämä takuu on voimassa kolme (3) vuotta tuotteen alkuperäisestä ostopäivästä. Ammattiostajille takuu on voimassa yhden (1) vuoden ostopäivästä.

Miten Cinderella Eco Group toimii takuuasioissa?

Jos esität oikeutetun takuuvaatimuksen, Cinderella Eco Group valintansa mukaan joko korjaa Cinderella-polttokäymälän, vaihtaa sen uuteen tai hyvittää sen ostohinnan.

Miten saan tuotteelle takuuhuollon?

Varaa huolto ottamalla yhteyttä tuotteen myyjään tai valtuutettuun huoltoliikkeeseen. Huoltovaihtoehdot vaihtelevat maittain.

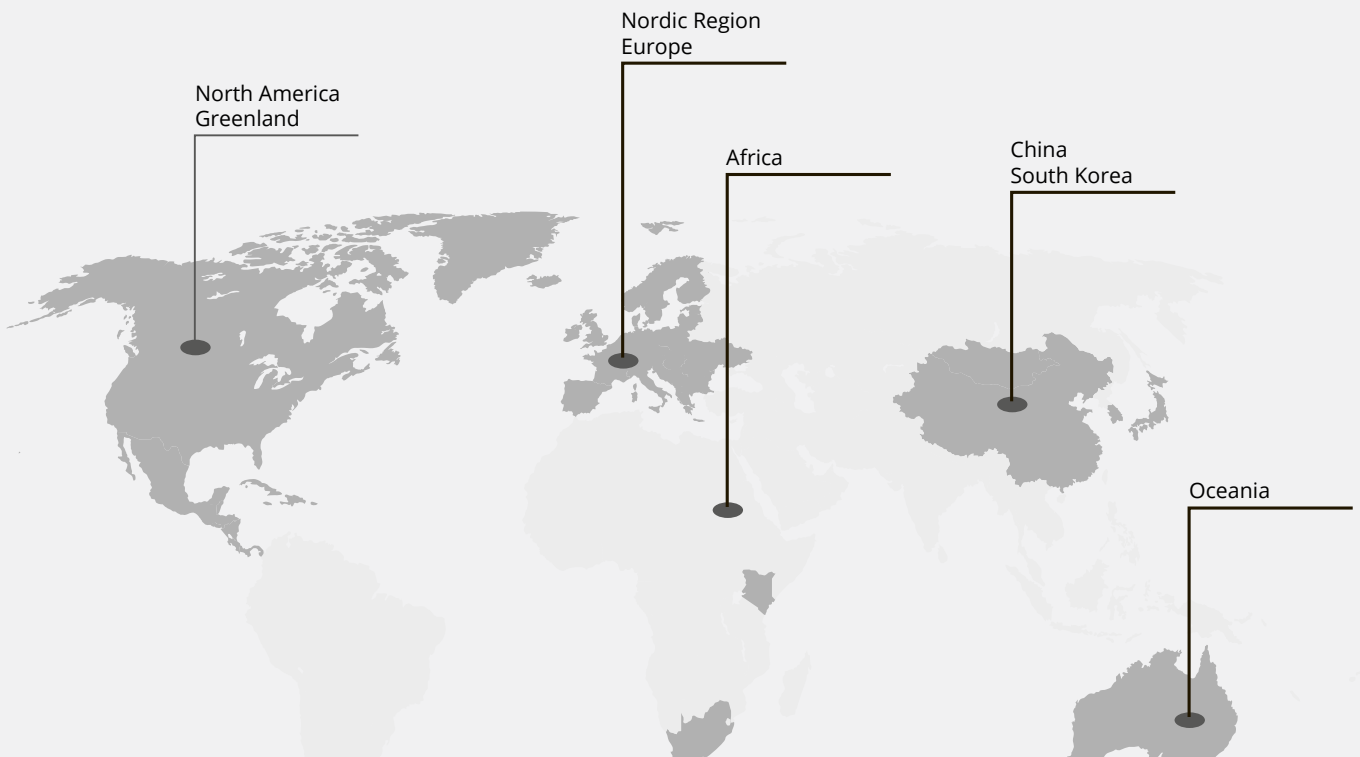
Takuuhuollon saadaksesi sinua voidaan pyytää esittämään ostokuitti. Tarkempaa tietoa takuusta on osoitteessa www.cinderellaeco.com

Cinderella Eco Group AS
Sjøvikvegen 67, 6475 Midsund, Norja
www.cinderellaeco.com



Cinderella[®]
Incineration Toilets

CINDERELLA'S GLOBAL PRESENCE



Cinderella Eco Group AS
Sjøvikvegen 67, NO-6475 Midsund, Norway
www.cinderellaeco.com